

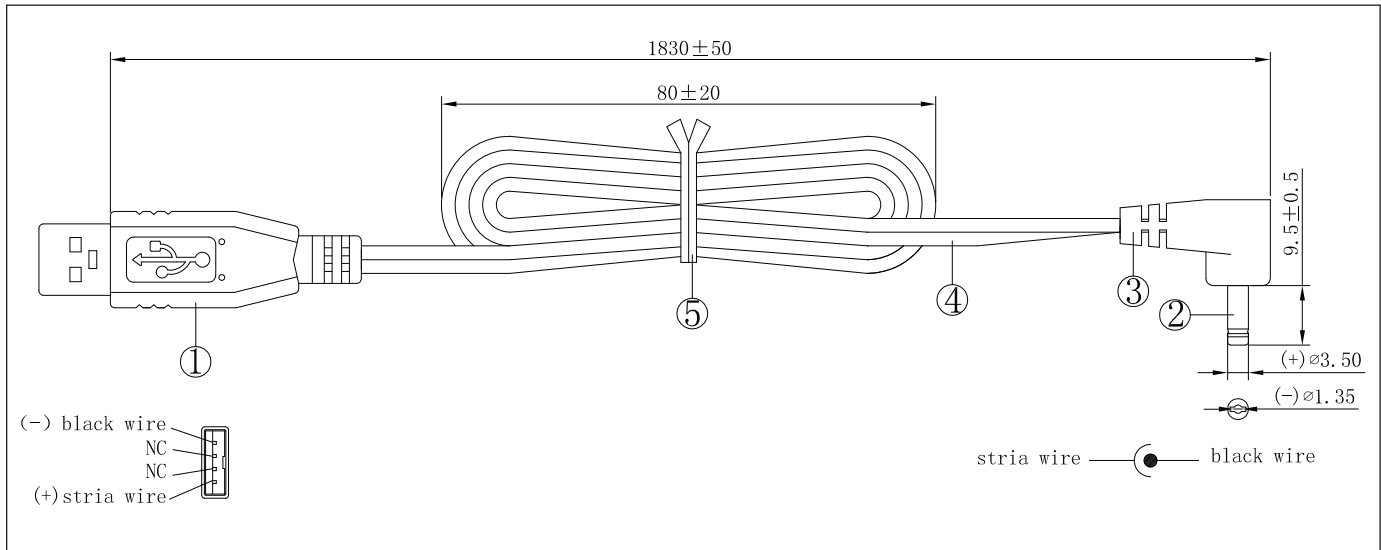
Specifications:

plug description (1)	USB-A plug; inner mold: 30P, PVC, black; outer mold: 60P, PVC, black
plug description (2)	dc plug, 3.5x1.35x20mm, molding style, spring contacts, yellow insulator, P/N 50-00056
plug overmold (3)	30P, PVC, black, UL94V0
cable description (4)	UL2468, 0.16 x 17 strands, 2 conductor, twin wire
cable outer diameter	Ø3.6 (1.8 x 2) ± 0.1 mm
cable color	black
cable gauge	AWG #22
cable length	1830 ± 50
twist tie (5)	black, 89 ± 3
rated load	1 A at 5 Vdc

Notes:

Function test: no open, no reversed polarity, no short circuit, no INT
 Hi-POT test: 600 Vac, 0.5 mA, 1 sec.
 RoHS compliant

Mechanical drawing:



Initial	Date
---------	------

tolerance X: ±0.5 mm .X: ±0.3 mm .XX: ±0.05 mm

Revision notes:

Rev	Date	Description
A	November 10, 2009	initial release

Specification Approval

Spec sign-off verifies that you have reviewed the entire specification, tested a sample of the product, and confirm that it meets your requirements. This specification reflects the part as it will be ordered. Orders will not be processed until the specification pages have been initialed and the approval page has been signed. This specification is confidential and is not to be transmitted without prior approval from Tensility.

Signature _____

Title _____

Name _____

Date _____