

PLEASE CHECK WWW.MOLEX.COM FOR LATEST PART INFORMATION

Part Number: [1200840007](#)
Status: **Active**
Overview: [ultralock connection system](#)
Description: Ultra-Lock® (M12) 4 Pole, Front Panel Mount Receptacle, 1/2"-14 NPT Mounting Thread, 22 AWG PVC Leads, 0.30M (11.81")

Documents:

[Drawing \(PDF\)](#) [RoHS Certificate of Compliance \(PDF\)](#)

Agency Certification

CSA LR6837

General

| | |
|----------------|---|
| Product Family | Industrial Receptacles |
| Series | 120084 |
| IP Rating | IP69K |
| NEMA Rating | NEMA 6 |
| Overview | ultralock connection system |
| Product Name | Ultra-Lock® (M12) |
| Type | Single Ended (pigtail) |

Physical

| | |
|-------------------------------|---------------------|
| Coupling Type | Internal Thread |
| Gender | Female |
| Keyway | Single |
| Length | 0.30m (11.81") |
| Material - Component | Nickel-plated Brass |
| Mounting Thread Size | 1/2" - 14 NPT |
| Orientation | Straight |
| Panel Mount | Front |
| Poles | 4 |
| Temperature Range - Operating | -25°C to +90°C |
| Wire Size AWG | 22 |
| Wire/Cable Type | UL 1061 |

Electrical

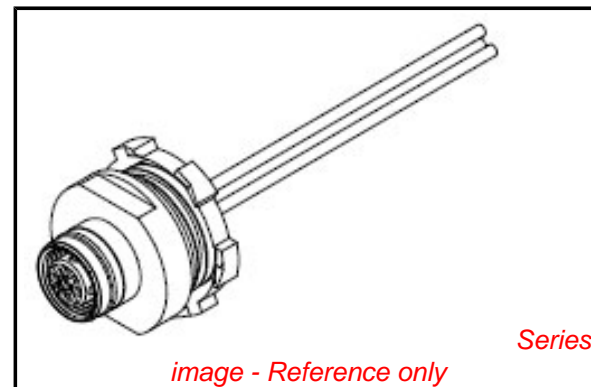
| | |
|-------------------------------|------------|
| Current - Maximum per Contact | 4A |
| Voltage - Maximum | 250V AC/DC |

Material Info

| | |
|-----------------|---------------|
| Old Part Number | WR4000A18C300 |
|-----------------|---------------|

Reference - Drawing Numbers

| | |
|---------------|---------------|
| Sales Drawing | SD-120084-027 |
|---------------|---------------|



EU RoHS

**ELV and RoHS
Compliant**
**REACH SVHC
Not Reviewed**
**Halogen-Free
Status
Not Reviewed**

China RoHS

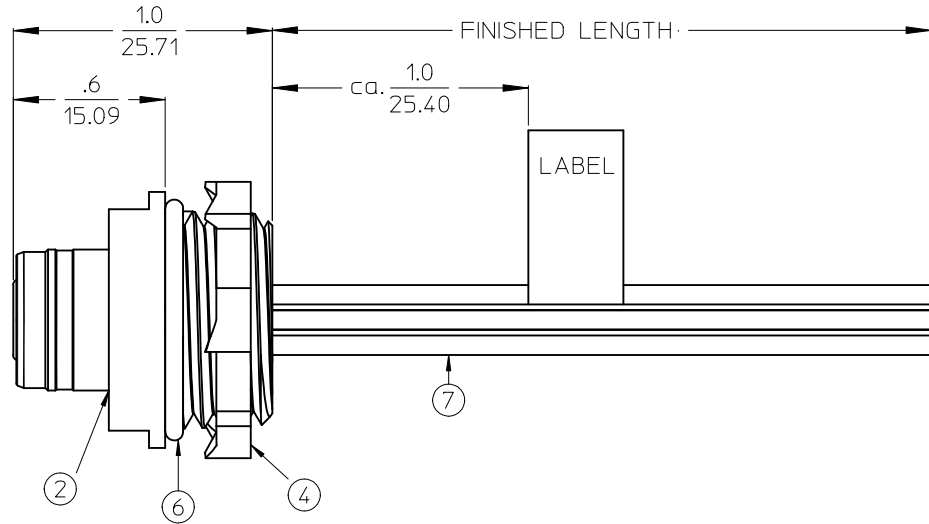
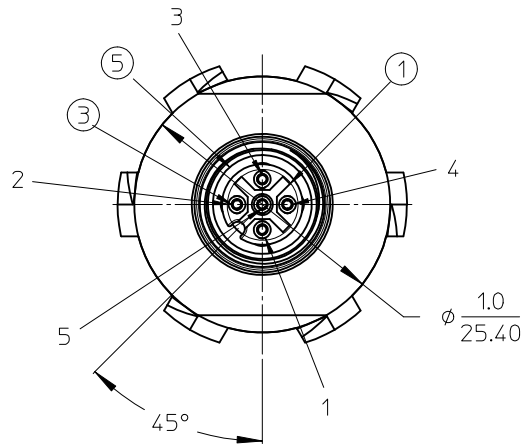


**Need more information on product
environmental compliance?**

Email productcompliance@molex.com
 For a multiple part number RoHS Certificate of
 Compliance, [click here](#)

Please visit the [Contact Us](#) section for any
 non-product compliance questions.

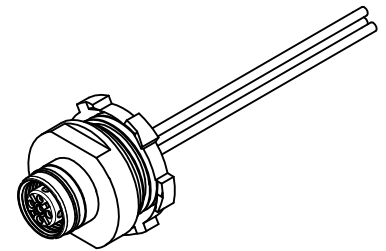
Search Parts in this Series
[120084Series](#)



| ITEM | COMPONENT | MATERIAL | FINISH |
|------|-----------|--------------|---------------|
| 1 | INSERT | TPU | BLACK |
| 2 | HOUSING | BRASS | NICKEL PLATED |
| 3 | CONTACT | BRASS / GOLD | CuZn Ni/ Au |
| 4 | LOCK NUT | STEEL | ZINK PLATED |
| 5 | O-RING | VITON | RED |
| 6 | O-RING | NBR | BLACK |
| 7 | WIRES | COPPER/PVC | SEE TABLE |

- 1 - BROWN
- 2 - WHITE
- 3 - BLUE
- 4 - BLACK
- 5 - GREY

| POLE | MATERIAL NO | ENGINEERING NO | FINISHED LENGTH |
|------|-------------|----------------|-----------------|
| 4 | 1200840007 | WR4000A18C300 | 300 mm |
| 5 | 1200840016 | WR5000A18C300 | 300 mm |



VOLTAGE RATING: 250 VAC/VDC
 AMPERAGE RATING: 4A
 PROTECTION CLASS: IP 67/68/69K
 OPERATING TEMPERATURE: -25°C / 90°C
 UL CERTIFICATION: FILE NO. E152210
 CSA CERTIFICATIONS: FILE NO. LR6837

| | | | | | | | | | |
|--|-------------------------------|---------------------------------------|-------|---|------------------------|--------------------|---|------------------------|--|
| ENTER DESCRIPTION EC NO: WEU2010-0369 DRWN:STAUDIGEL 2010/02/17 CHKD: 2010/02/19 APPR:FPACHER 2010/02/24 | QUALITY SYMBOLS ▽=0 ◻=0 | GENERAL TOLERANCES (UNLESS SPECIFIED) | | DIMENSION STYLE IN/MM | | SCALE 2:1 | DESIGN UNITS INCH | THIRD ANGLE PROJECTION | |
| | | | mm | INCH | DRAWN BY NSTAUDIGEL | DATE 2010/02/17 | TITLE M12 4/5P UL FEM REC FRONT MOUNT 1/2NPT | | |
| | | 4 PLACES | ±--- | ±--- | CHECKED BY | DATE | APPROVED BY FPACHER | | |
| | | 3 PLACES | ±--- | ±--- | DATE 2010/02/19 | | MATERIAL NO. DOCUMENT NO. SHEET NO. | | |
| | | 2 PLACES | ±0.05 | ±--- | MOLEX | | MOLEX INCORPORATED | | |
| | | 1 PLACE | ±0.1 | ±--- | SD-120084-027 | | 1 OF 1 | | |
| | | ANGULAR ±---° | | THIS DRAWING CONTAINS INFORMATION THAT IS PROPRIETARY TO MOLEX INCORPORATED AND SHOULD NOT BE USED WITHOUT WRITTEN PERMISSION | | | | | |
| DRAFT WHERE APPLICABLE MUST REMAIN WITHIN DIMENSIONS | | | | | | | | | |