

PLEASE CHECK WWW.MOLEX.COM FOR LATEST PART INFORMATION

Part Number: [0746961102](#)
Status: **Active**
Overview: vhdm_hsd
Description: 2.00mm (.079") Pitch 5-Row VHDM-HSD™ Backplane Header, Guide Pin Signal Module, Signal Pin End Version, Advanced Mate Shield, 40 Circuits, Pin Length 6.25mm (.246")

Documents:

[Drawing \(PDF\)](#) [RoHS Certificate of Compliance \(PDF\)](#)

Agency Certification

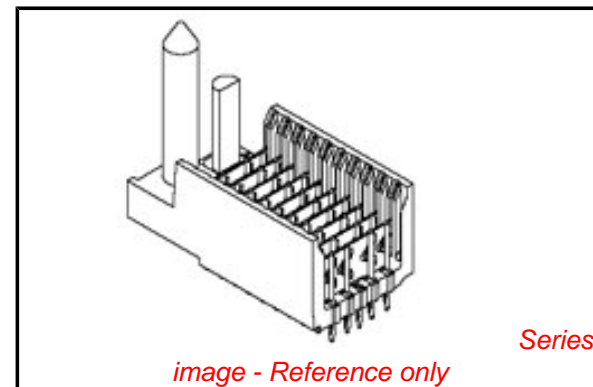
CSA LR19880

General

Product Family Backplane Connectors
 Series [74696](#)
 Application Backplane
 Application Tooling Documents http://www.molex.com/pdm_docs/ats/TM-622010999.pdf>Tooling Manual
 Comments No Keying Position
 Component Type PCB Header
 Overview [vhdm_hsd](#)
 Product Name VHDM-HSD™
 Style N/A

Physical

Circuits (Loaded) 40
 Circuits (maximum) 40
 Color - Resin Black
 Durability (mating cycles max) 200
 First Mate / Last Break No
 Flammability 94V-0
 Guide to Mating Part Yes
 Keying to Mating Part None
 Material - Metal High Performance Alloy (HPA), Stainless Steel
 Material - Plating Mating Gold
 Material - Plating Termination Tin-Lead
 Material - Resin High Temperature Thermoplastic
 Number of Columns 10
 Number of Pairs Open Pin Field
 Number of Rows 5
 Orientation Vertical
 PCB Retention None
 PCB Thickness Recommended (in) 0.070 In
 PCB Thickness Recommended (mm) 1.80 mm
 Packaging Type Tube
 Pitch - Mating Interface (in) 0.079 In
 Pitch - Mating Interface (mm) 2.00 mm
 Plating min: Mating (µin) 30
 Plating min: Mating (µm) 0.75
 Plating min: Termination (µin) 30
 Plating min: Termination (µm) 0.75
 Polarized to PCB Yes
 Stackable Yes
 Surface Mount Compatible (SMC) Yes
 Temperature Range - Operating -55°C to +105°C



EU RoHS

RoHS Compliant by Exemption

REACH SVHC

Not Reviewed

Halogen-Free

Status

Not Reviewed

China RoHS



Need more information on product environmental compliance?

Email productcompliance@molex.com
 For a multiple part number RoHS Certificate of Compliance, [click here](#)

Please visit the [Contact Us](#) section for any non-product compliance questions.

Search Parts in this Series

[74696Series](#)

Mates With

[74670 HSD Daughtercard](#)

Application Tooling | FAQ

Tooling specifications and manuals are found by selecting the products below. Crimp Height Specifications are then contained in the Application Tooling Specification document.

Global

Description	Product #
VHDM® 5 Row Pin and Shield Repair Tool	0622015810
VHDM® 5 Row Shield Extraction Tool	0622016010
VHDM-HSD™ Signal Header, 5 Row by 10 Wide, 20.00mm (.787")	0622020201

Termination Interface: Style

Through Hole - Compliant Pin

Electrical

Current - Maximum per Contact

1A

Data Rate

5.0 Gbps

Real Signals (per 25mm)

48

Voltage - Maximum

120V AC (RMS)/DC

Material Info

Reference - Drawing Numbers

Packaging Specification

PK-74696-003

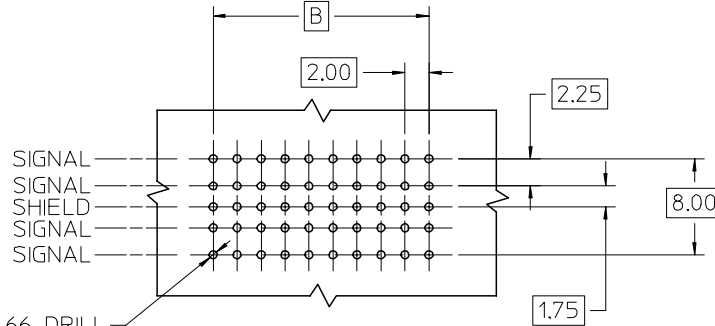
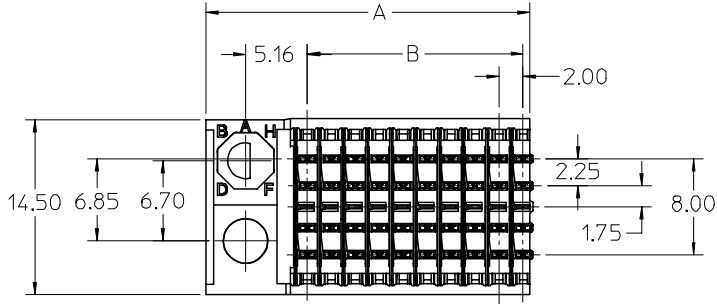
Sales Drawing

SD-74696-003

VHDM-HSD is a trademark of Amphenol Corporation

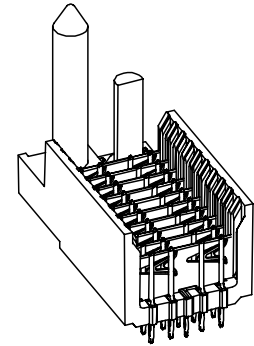
This document was generated on 05/27/2010

PLEASE CHECK WWW.MOLEX.COM FOR LATEST PART INFORMATION

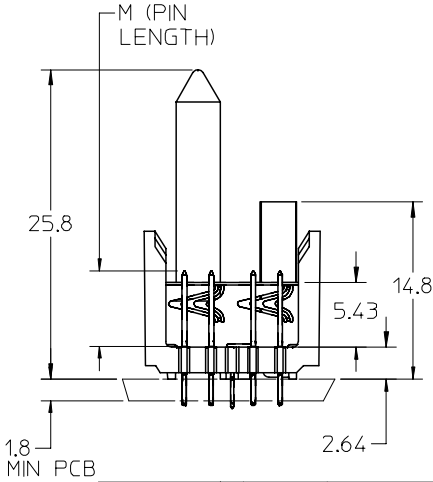
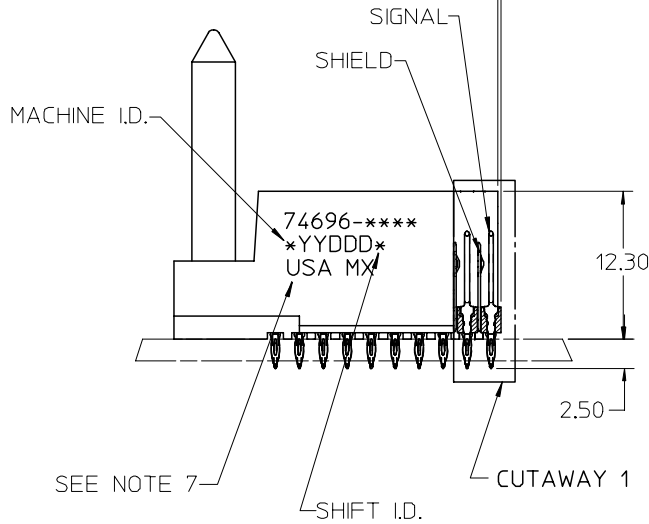


$\phi 0.66$ DRILL
 $\phi 0.56 \pm 0.05$ PTH
 $\phi 1.00$ PAD
 $\phi 0.10$

BACKPLANE HOLE PATTERN
RECOMMENDED DIMENSION



0.27 MAX OVERALL PROTRUSION



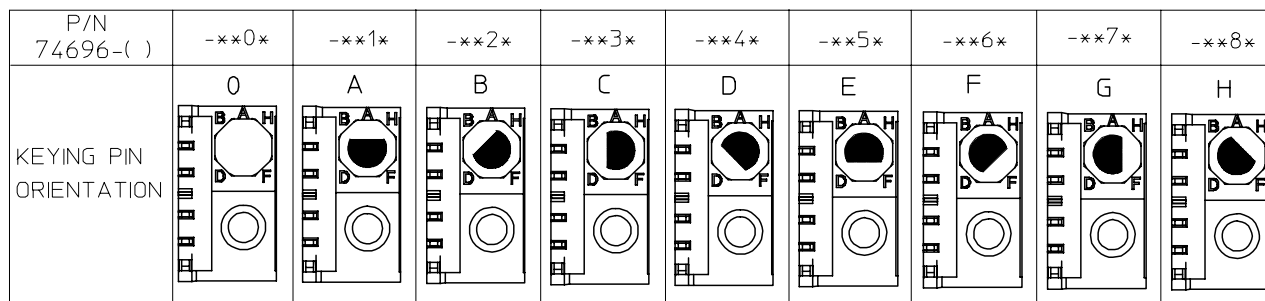
NOTES:

1. MATERIAL: HOUSING -LIQUID CRYSTAL POLYMER (LCP) GLASS-FILLED. UL 94 V-0. COLOR: BLACK. SIGNAL & SHIELD -COPPER ALLOY.
2. FINISHES: SELECTIVE GOLD (Au) ON CONTACT AREA. SELECTIVE TIN/LEAD (Sn/Pb) ON PCB TAILS. NICKEL (Ni) OVERALL.
3. THIS PART CONFORMS TO MOLEX PRODUCT SPECIFICATION PS-74031-999.
4. FOR MIXED CONTACT MATING LENGTHS CONSULT MOLEX FOR AVAILABILITY.
5. FOR SPECIFIC PART NUMBER AND MATING INFORMATION REFER TO SHEET 2.
6. PACKAGE PER PK-74696-003.
7. EITHER MARK PART NUMBER AND DATE CODE APPROXIMATELY WHERE SHOWN OR PLACE LABEL ON THE TUBE.

SEE NOTE 7

SHIFT I.D.

REVISED - PLATING NOTE EC NO: UCP2005-2161 DRWN: JBINGHAM 2005/04/07 CHKD: 2005/04/07 APPR: CBIXLER 2005/04/08	QUALITY SYMBOLS	GENERAL TOLERANCES (UNLESS SPECIFIED)	SCALE 2.5:1	DESIGN UNITS METRIC	THIRD ANGLE PROJECTION	REVISE ON CAD ONLY
	DESCRIPTION ▼ = 0 ▽ = 0	mm	INCH	DIMENSION STYLE		TITLE
		4 PLACES	± ---	± ---	MM ONLY	
		3 PLACES	± ---	± ---	DRAWN BY	DATE
2 PLACES	± ---	± ---	MQWANG	2001/07/23		
1 PLACE	± ---	± ---	CHECKED BY	DATE	MOLEX INCORPORATED	
ANGULAR ±1/2°		APPROVED BY		DATE		
DRAFT WHERE APPLICABLE		MATERIAL NO.		DOCUMENT NO.	SHEET NO.	
MUST REMAIN WITHIN DIMENSIONS		SEE SHEET 2		SD-74696-003	1 OF 2	
THIS DRAWING CONTAINS INFORMATION THAT IS PROPRIETARY TO MOLEX INCORPORATED AND SHOULD NOT BE USED WITHOUT WRITTEN PERMISSION						

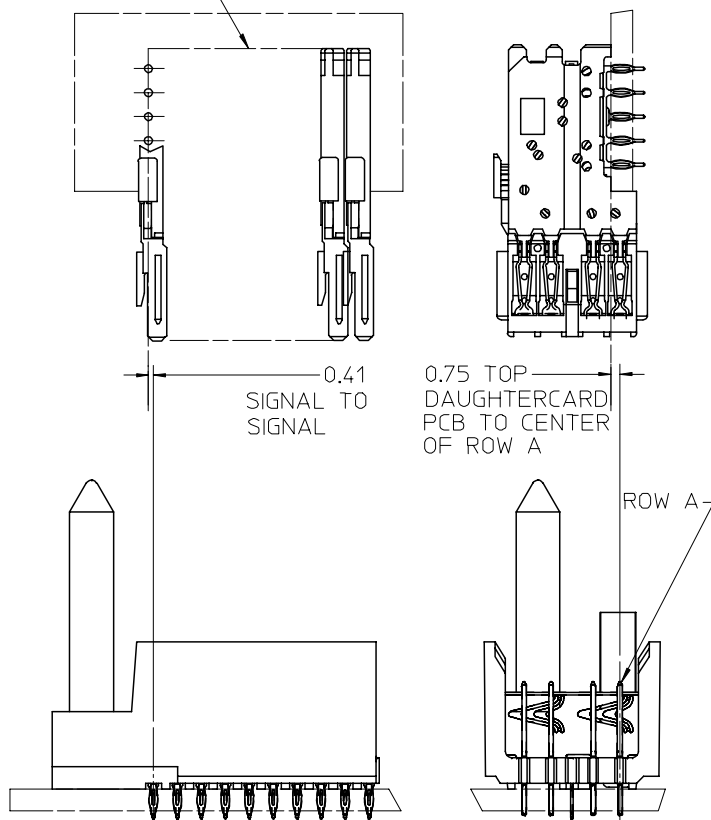


74696-***

COLUMN CODE
11 & 26

CONTACT LOAD
(PIN LENGTH)
1 & 6 = 4.75
2 & 7 = 6.25
3 & 8 = 4.25
4 & 9 = 5.15

DAUGHTERCARD
CONNECTOR SIDE



PART NUMBER	COLUMN	NUMBER OF SIGNALS	NUMBER OF SHIELDS	A	B	M	Au (um) MIN THICKNESS	Sn (um) THICKNESS
74696-11*1	10	40	10	27.00	18.00	4.75	0.76	0.76-1.52
74696-11*6							1.27	
74696-26*1	25	100	25	57.00	48.00	6.25	0.76	
74696-26*6							1.27	
74696-11*2	10	40	10	27.00	18.00	4.25	0.76	
74696-11*7							1.27	
74696-26*2	25	100	25	57.00	48.00	5.15	0.76	
74696-26*7							1.27	
74696-11*3	10	40	10	27.00	18.00	4.75	0.76	
74696-11*8							1.27	
74696-26*3	25	100	25	57.00	48.00	6.25	0.76	
74696-26*8							1.27	
74696-11*4	10	40	10	27.00	18.00	5.15	0.76	
74696-11*9							1.27	
74696-26*4	25	100	25	57.00	48.00	4.25	0.76	
74696-26*9							1.27	

SEE SHEET 1 EC NO: UCP2005-2161 DRWN: BINGHAM 2005/04/07 CHKD: 2005/04/07 APPR: CBIXLER 2005/04/08	QUALITY SYMBOLS	GENERAL TOLERANCES (UNLESS SPECIFIED)	SCALE 2.5:1	DESIGN UNITS METRIC	THIRD ANGLE PROJECTION	REVISE ON CAD ONLY	
	DESCRIPTION ▽ = 0 ◁ = 0	4 PLACES ± --- ± --- 3 PLACES ± --- ± --- 2 PLACES ± --- ± --- 1 PLACE ± --- ± ---	mm INCH ANGULAR ±1/2°	DIMENSION STYLE MM ONLY		TITLE	
		DRAFT WHERE APPLICABLE MUST REMAIN WITHIN DIMENSIONS		DRAWN BY DATE MQWANG 2001/07/23 CHECKED BY DATE JLAURX 2001/10/12 APPROVED BY DATE CBIXLER 2001/10/12	HSD SALES ASSEMBLY ADVANCED MATE 5 ROW SIGNAL END BACKPLANE MOLEX INCORPORATED		
	REV	MATERIAL NO. SEE TABLE		DOCUMENT NO. SD-74696-003	SHEET NO. 2 OF 2		

THIS DRAWING CONTAINS INFORMATION THAT IS PROPRIETARY TO MOLEX INCORPORATED AND SHOULD NOT BE USED WITHOUT WRITTEN PERMISSION