

PLEASE CHECK WWW.MOLEX.COM FOR LATEST PART INFORMATION

Part Number: [0040062017](#)
Status: **Active**
Description: Panel Grounding Clip Crimp Terminal 42172, 16-18 AWG, Reel, 301 Stainless Steel, 0.76mm (.030") Panel Thickness

Documents:

[3D Model](#) [RoHS Certificate of Compliance \(PDF\)](#)
[Drawing \(PDF\)](#)

General

Product Family	Crimp Terminals
Series	42172
Comments	(2) 18 AWG, or (1) 18 and (1) 16 AWG
Crimp Quality Equipment	Yes
Product Name	Panel Grounding Clip

Physical

Gender	Female
Material - Metal	Stainless Steel
Material - Plating Mating	Unplated
Packaging Type	Reel
Termination Interface: Style	Crimp or Compression
Wire Insulation Diameter	3.00mm (.118") max
Wire Size AWG	16, 18
Wire Size mm ²	N/A

Electrical

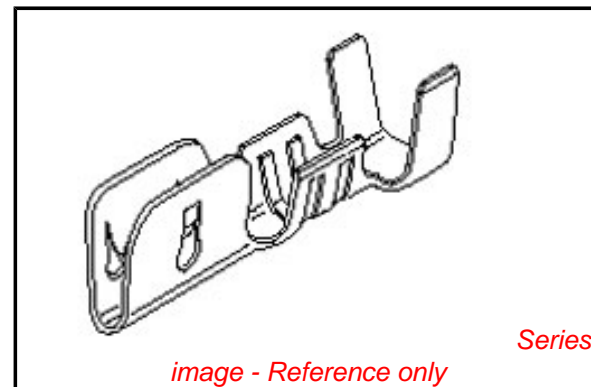
CSA	LR19980
UL	E126412

Material Info

Old Part Number	42172F1
-----------------	---------

Reference - Drawing Numbers

Sales Drawing	SD-42172-**
---------------	-------------



EU RoHS

ELV and RoHS Compliant
REACH SVHC
Contains SVHC: No
Halogen-Free
Status
Not Reviewed

China RoHS



Need more information on product environmental compliance?

Email productcompliance@molex.com
 For a multiple part number RoHS Certificate of Compliance, [click here](#)

Please visit the [Contact Us](#) section for any non-product compliance questions.

Search Parts in this Series

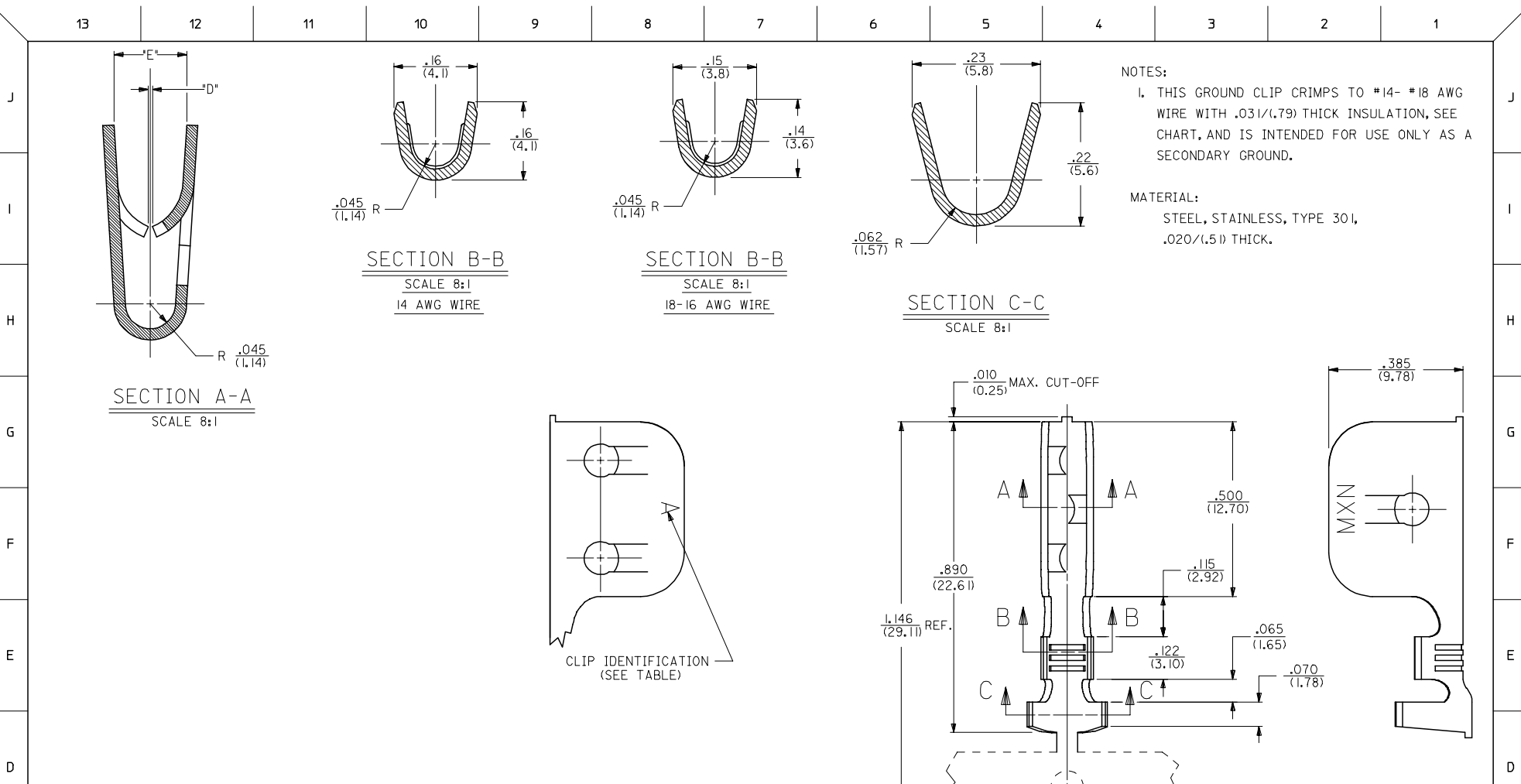
[42172Series](#)

Application Tooling | [FAQ](#)

Tooling specifications and manuals are found by selecting the products below. Crimp Height Specifications are then contained in the Application Tooling Specification document.

Global

Description	Product #
Mini-Mac™ Applicator	0638913000



NOTES:
 1. THIS GROUND CLIP CRIMPS TO #14- #18 AWG WIRE WITH .031/(.79) THICK INSULATION, SEE CHART, AND IS INTENDED FOR USE ONLY AS A SECONDARY GROUND.

MATERIAL:
 STEEL, STAINLESS, TYPE 301,
 .020/(.51) THICK.

PART NO.	ENG. NO.	DIM. "D"	DIM. "E"	PANEL THICKNESS RANGE	WIRE GAGE	DOUBLE WIRE COMBINATION
040-06-2015	42172-BB1	.025/(0.64)	.13/(3.3)	.035/(0.89)-.050/(1.27)	14 AWG	(2) #16 AWG
040-06-2014	42172-AA1	.008/(0.20)	.11/(2.8)	.015/(0.38)-.035/(0.89)	14 AWG	
050-29-1597	42172-H1	.035/(0.89)	.13/(3.3)	.045/(1.14)-.060/(1.52)	18-16 AWG	
040-06-2017	42172-F1	.015/(0.38)	.11/(2.8)	.020/(0.51)-.030/(0.76)	18-16 AWG	(2) #18 AWG
040-06-2013	42172-C1	.050/(1.27)	.13/(3.3)	.060/(1.52)-.075/(1.91)	18-16 AWG	OR
040-06-2005	42172-B1	.025/(0.64)	.13/(3.3)	.035/(0.89)-.050/(1.27)	18-16 AWG	(1) #18 & (1) #16
040-06-2003	42172-A1	.008/(0.20)	.11/(2.8)	.015/(0.38)-.035/(0.89)	18-16 AWG	
040-06-2024	42172-G1	.004/(0.10)	.11/(2.8)	.015/(0.38)-.035/(0.89)	18-16 AWG	

REM GEOM OUTSIDE DWG FC NO: DRAWN: C STEWART 2005/11/22 CHKD: APPR: REV: R1	QUALITY SYMBOLS =0 =0	GENERAL TOLERANCES (UNLESS SPECIFIED)	DIMENSION STYLE IN/MM	SCALE 5:1	DESIGN UNITS INCH	THIRD ANGLE PROJECTION
		4 PLACES ± .005 ± .005 3 PLACES ± .010 ± .010 2 PLACES ± 0.25 ± .014 1 PLACE ± 0.35 ± .014 ANGULAR ±1/2°	DRAWN BY MAB	DATE 07-24-92	TITLE GROUND CLIP	
		DRAFT WHERE APPLICABLE MUST REMAIN WITHIN DIMENSIONS	SEE CHART	MATERIAL NO.	DOCUMENT NO. SD-42172-**	SHEET NO. 1 OF 1
			THIS DRAWING CONTAINS INFORMATION THAT IS PROPRIETARY TO MOLEX INCORPORATED AND SHOULD NOT BE USED WITHOUT WRITTEN PERMISSION			