

PLEASE CHECK WWW.MOLEX.COM FOR LATEST PART INFORMATION

Part Number: [0714391864](#)
Status: **Active**
Description: 1.00mm (.039") Pitch Mezzanine IEEE 1386 Receptacle, Surface Mount, Dual Row, Vertical Stacking, Embossed Tape on Reel, 0.76µm (30µ") Gold (Au), 64 Circuits Pick and Place Cap

Documents:

[3D Model](#) [Product Specification PS-71436-9999 \(PDF\)](#)
[Drawing \(PDF\)](#) [RoHS Certificate of Compliance \(PDF\)](#)

Agency Certification

CSA LR19980
 UL E29179

General

Product Family PCB Receptacles
 Series [71439](#)
 Application Board-to-Board
 Comments Plugs
 Product Name Mezzanine

Physical

Circuits (Loaded) 64
 Color - Resin Natural
 Flammability 94V-0
 Glow-Wire Compliant No
 Lock to Mating Part Yes
 Mated Height (in) 0.433 In, 0.472 In
 Mated Height (mm) 11.00 mm, 12.00 mm
 Material - Metal Phosphor Bronze
 Material - Plating Mating Gold
 Material - Plating Termination Tin
 Material - Resin High Temperature Thermoplastic
 Number of Rows 2
 Orientation Vertical
 PCB Locator Yes
 PCB Retention None
 Packaging Type Embossed Tape on Reel
 Pitch - Mating Interface (in) 0.039 In
 Pitch - Mating Interface (mm) 1.00 mm
 Plating min: Mating (µin) 30.4
 Plating min: Mating (µm) 0.76
 Plating min: Termination (µin) 76.4
 Plating min: Termination (µm) 1.91
 Polarized to PCB No
 Robotic Placement Pick and Place Cap
 Surface Mount Compatible (SMC) N/A
 Temperature Range - Operating -55°C to +85°C
 Termination Interface: Style Surface Mount

Electrical

Current - Maximum per Contact 1A
 Voltage - Maximum 100V

Solder Process Data

Lead-free Process Capability Reflow Capable (SMT only)
 Process Temperature max. C 260

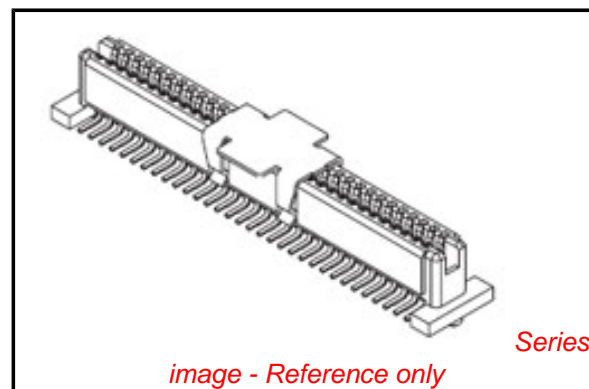


image - Reference only

EU RoHS

ELV and RoHS Compliant
REACH SVHC Contains SVHC: No
Halogen-Free Status

China RoHS



Need more information on product environmental compliance?

Email productcompliance@molex.com
 For a multiple part number RoHS Certificate of Compliance, [click here](#)

Please visit the [Contact Us](#) section for any non-product compliance questions.

Search Parts in this Series

[71439Series](#)

Mates With

[714361](#) for Stack Height 11.00mm (.433"),
[714362](#) for Stack Height 12.00mm (.472")

Material Info

Reference - Drawing Numbers

Product Specification

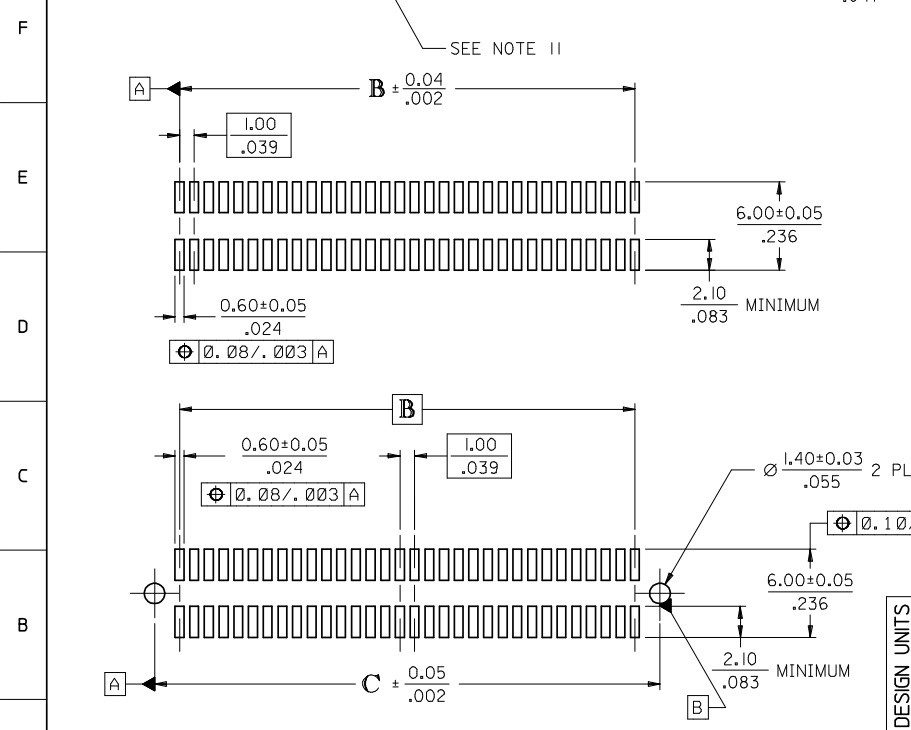
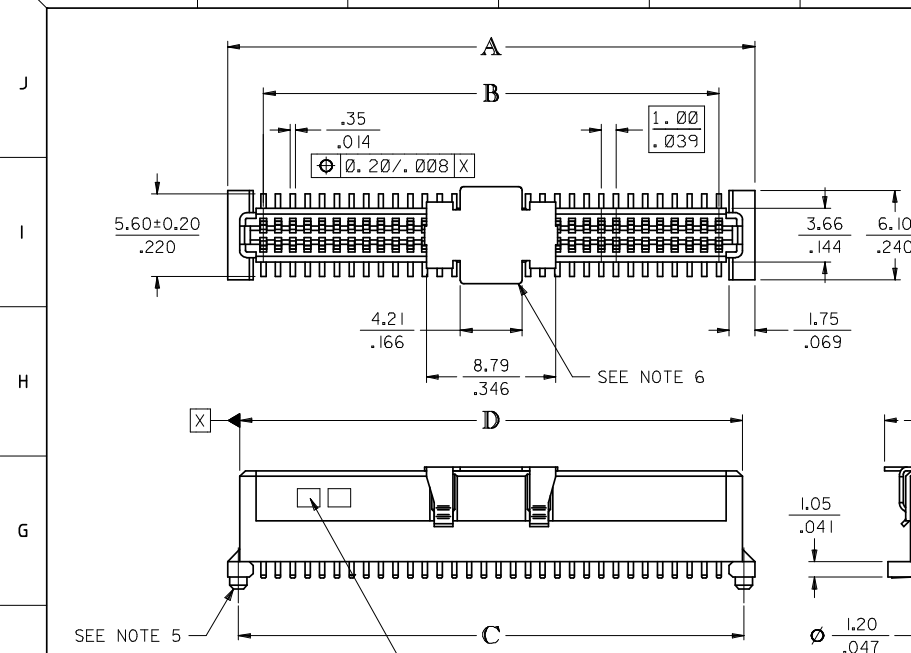
Sales Drawing

PS-71436-9999

SDA-71439-1***

This document was generated on 04/08/2010

PLEASE CHECK WWW.MOLEX.COM FOR LATEST PART INFORMATION



**RECOMMENDED PCB LAYOUT
(WITH AND WITHOUT PEGS)**
 RECOMMENDED PCB THICKNESS: $1.00 \pm 0.10 / .039 \pm .004$

CIRCUIT SIZE	DIM. A	DIM. B	DIM. C	DIM. D
20	13.90 .547	9.00 .354	12.40 .488	12.22 .481
30	18.90 .744	14.00 .551	17.40 .685	17.22 .678
40	23.90 .941	19.00 .748	22.40 .882	22.22 .875
50	28.90 1.138	24.00 .945	27.40 1.079	27.22 1.072
60	33.90 1.335	29.00 1.142	32.40 1.276	32.22 1.269
64	35.90 1.413	31.00 1.220	34.40 1.354	34.22 1.347
70	38.90 1.531	34.00 1.339	37.40 1.472	37.22 1.465
80	43.90 1.728	39.00 1.535	42.40 1.669	42.22 1.662
84	45.90 1.807	41.00 1.614	44.40 1.748	44.22 1.741
90	48.90 1.925	44.00 1.732	47.40 1.866	47.22 1.859
100	53.90 2.122	49.00 1.929	52.40 2.063	52.22 2.056
110	58.90 2.319	54.00 2.126	57.40 2.260	57.22 2.253
120	63.90 2.516	59.00 2.323	62.40 2.457	62.22 2.450

NOTES:

- HOUSING MATERIAL: G.F. THERMOPLASTIC; UL RATING: 94V-0; COLOR: WHITE
 NOTE: HOUSING COLOR FOR -1664 (ONLY) IS BLACK.
 TERMINAL MATERIAL: PHOSPHOR BRONZE; 0.205/.0080 THICK
 VACUUM CAP MATERIAL: STAINLESS STEEL; 0.255/.0100 THICK
- PLATING ON CONTACTS IS AS FOLLOWS:
 0.00076/.000030 MINIMUM GOLD PLATING IN CONTACT AREA,
 0.0019/.000075 MINIMUM TIN PLATING IN TERMINAL AREA,
 OVER NICKEL PLATING OVERALL.
 *THE PRIMARY SHIPPING CARTON WILL BE LABELED "COMPLIANT TO ROHS DIRECTIVE 2002/95/EC AND ELV ANNEX II OF DIRECTIVE 2000/53/EC". CARTONS WITHOUT THIS LABEL MAY CONTAIN PRODUCT WITH LEAD.
- THIS PART, WHEN MATED WITH MOLEX 1.0mm PLUG CONNECTOR SERIES 71436, CONFORMS TO MOLEX PRODUCT SPECIFICATION PS-71436-9999. REFER TO CHART ON SHEET 2 FOR MATED STACK HEIGHTS FOR THIS RECEPTACLE.
- PACKAGING SPECIFICATIONS: REFER TO CHART ON SHEET 2.
- PEGS ARE OPTIONAL. REFER TO CHART ON SHEET 2.
- VACUUM PICK & PLACE CAP IS OPTIONAL. REFER TO CHART ON SHEET 2.
- THIS PART CONFORMS TO EIA STANDARD 700 AAAB FOR 1.0mm TWO-PART CONNECTORS FOR USE WITH PARALLEL PRINTED BOARDS.
- COPLANARITY OF SMT TAILS: 0.10/.004 MAX.
- 64-CIRCUIT RECEPTACLE ASSEMBLY WITH PEGS AND VACUUM CAP SHOWN FOR ILLUSTRATION PURPOSES ONLY.
- DIMENSIONS ARE IN mm/IN. INCH DIMENSIONS SHOWN FOR REFERENCE ONLY.
- DATE CODE STAMP IS WEEK, YEAR LOCATED APPROXIMATELY WHERE SHOWN.

2	K
1	K
SHT	REV

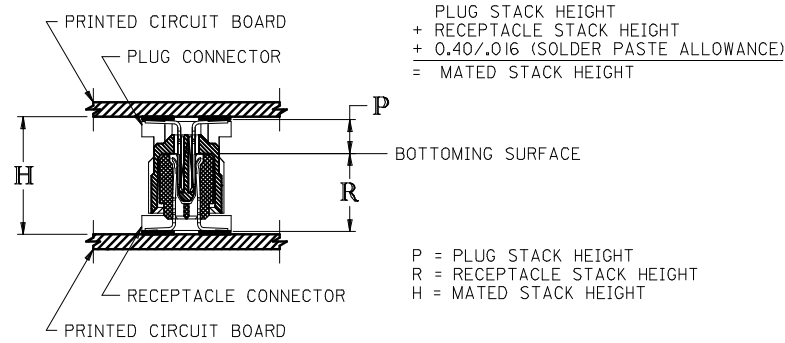
CORRECT DESIGN UNITS EC NO: UCP2008-2484 DRAWN: MSIBARRA 2008/04/22 CHKD: BBARKER 2008/05/06 APPR: SMILLER 2008/05/06	QUALITY SYMBOLS ▽=0 ▽=0	GENERAL TOLERANCES (UNLESS SPECIFIED) DIMENSION STYLE MM/IN	SCALE 4:1	DESIGN UNITS METRIC	THIRD ANGLE PROJECTION	
	DRAWN BY REED	DATE 1995/03/23	TITLE SALES ASSY, 1.0MM BOARD TO BOARD RECEPTACLE CONNECTOR 7.30/.287 HIGH	MOLEX MOLEX INCORPORATED		
	CHECKED BY REED	DATE 1995/03/23				
	APPROVED BY BIXLER	DATE 1995/03/23	DOCUMENT NO. SEE TABLE	SHEET NO. 1 OF 2	THIS DRAWING CONTAINS INFORMATION THAT IS PROPRIETARY TO MOLEX INCORPORATED AND SHOULD NOT BE USED WITHOUT WRITTEN PERMISSION	

STANDARD

CIRCUIT SIZE	RECEPTACLE ASSY. ITEM NUMBER	PEGS	PICK & PLACE CAP	PACKAGING SPEC. NUMBER	PACKAGING TYPE
64	71439-1164	YES	NO	PK-70873-0601	TUBE
64	71439-1364	YES	YES	PK-70873-0607	TUBE
64	71439-1464	YES	YES	PK-70873-063	TAPE & REEL
64	71439-1564	NO	NO	PK-70873-0606	TUBE
64	71439-1664	NO	YES MATTE FINISH	PK-70873-063	TAPE & REEL
64	71439-1764	NO	YES	PK-70873-0606	TUBE
64	71439-1864	NO	YES	PK-70873-063	TAPE & REEL

RECOMMENDED PLUG/RECEPTACLE COMBINATION FOR
MATED STACK HEIGHT PER EIA STANDARD 700 AAAB

MATED STACK HEIGHT	RECEPTACLE HEIGHT	RECEPTACLE SERIES NO.	PLUG HEIGHT	PLUG SERIES NO.
11.00/.433	7.30/.287	71439-1***	3.30/.130	71436-1***
12.00/.472	7.30/.287	71439-1***	4.30/.169	71436-2***



CORRECT DESIGN UNITS EC NO: UCP2008-2484 DRAWN BY: MS1BARRA 2008/04/22 CHKD: BBARKER 2008/05/06 APPR: SWILLER 2008/05/06	QUALITY SYMBOLS	GENERAL TOLERANCES (UNLESS SPECIFIED) <table border="1"> <tr> <th></th> <th>mm</th> <th>INCH</th> </tr> <tr> <td>4 PLACES</td> <td>±---</td> <td>±---</td> </tr> <tr> <td>3 PLACES</td> <td>±---</td> <td>±---</td> </tr> <tr> <td>2 PLACES</td> <td>±---</td> <td>±---</td> </tr> <tr> <td>1 PLACE</td> <td>±---</td> <td>±---</td> </tr> </table>		mm	INCH	4 PLACES	±---	±---	3 PLACES	±---	±---	2 PLACES	±---	±---	1 PLACE	±---	±---	DIMENSION STYLE	SCALE	DESIGN UNITS	THIRD ANGLE PROJECTION
			mm	INCH																	
	4 PLACES	±---	±---																		
	3 PLACES	±---	±---																		
2 PLACES	±---	±---																			
1 PLACE	±---	±---																			
▼=0 ▽=0	MM/IN	---	METRIC																		
REV	DESCRIPTION	DRAFT WHERE APPLICABLE MUST REMAIN WITHIN DIMENSIONS	DRAWN BY: REED DATE: 1995/03/23 CHECKED BY: REED DATE: 1995/03/23 APPROVED BY: BIXLER DATE: 1995/03/23	TITLE SALES ASSY, 1.0MM BOARD TO BOARD RECEPTACLE CONNECTOR 7.30/.287 HIGH																	
K		MATERIAL NO. SEE TABLE	MOLEX INCORPORATED		DOCUMENT NO. SDA-71439-1***	SHEET NO. 2 OF 2															