

PLEASE CHECK WWW.MOLEX.COM FOR LATEST PART INFORMATION

Part Number: [0026482232](#)
Status: **Active**
Description: 3.96mm (.156") Pitch KK® Header, Breakaway, Right Angle, 23 Circuits, Gold (Au) Plating

Documents:

3D Model	Product Specification PS-08-50 (PDF)
Packaging Specification (PDF)	RoHS Certificate of Compliance (PDF)
Drawing (PDF)	

Agency Certification

CSA	LR19980
UL	E29179

General

Product Family	PCB Headers
Series	41662
Application	Board-to-Board, Wire-to-Board
Product Name	KK®

Physical

Breakaway	Yes
Circuits (Loaded)	23
Circuits (maximum)	23
Color - Resin	Black
Durability (mating cycles max)	50
First Mate / Last Break	No
Flammability	94V-0
Glow-Wire Compliant	No
Guide to Mating Part	No
Keying to Mating Part	None
Lock to Mating Part	None
Material - Plating Mating	Gold
Number of Rows	1
Orientation	Right Angle
PC Tail Length (in)	0.184 In
PC Tail Length (mm)	4.67 mm
PCB Locator	No
PCB Retention	None
PCB Thickness Recommended (in)	0.062 In
PCB Thickness Recommended (mm)	1.60 mm
Packaging Type	Bag
Pitch - Mating Interface (in)	0.156 In
Pitch - Mating Interface (mm)	3.96 mm
Polarized to Mating Part	Yes
Polarized to PCB	No
Shrouded	Partial
Stackable	No
Temperature Range - Operating	0°C to +75°C
Termination Interface: Style	Through Hole

Electrical

Current - Maximum per Contact	7A
Voltage - Maximum	250V

Solder Process Data

Lead-free Process Capability	Wave Capable (TH only)
------------------------------	------------------------

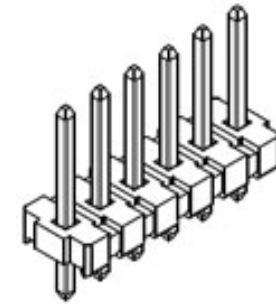


image - Reference only

Series

EU RoHS

ELV and RoHS Compliant
REACH SVHC
 Not Reviewed
Halogen-Free Status
 Not Reviewed

China RoHS



Need more information on product environmental compliance?

Email productcompliance@molex.com
 For a multiple part number RoHS Certificate of Compliance, [click here](#)

Please visit the [Contact Us](#) section for any non-product compliance questions.

Search Parts in this Series

[41662Series](#)

Mates With

[2139](#) , [2145](#) , [6442](#) , [7674](#) , [7675](#) , [41695](#) , [41815](#)

Material Info

Old Part Number

41662-A23A501

Reference - Drawing Numbers

Product Specification

PS-08-50

Sales Drawing

SD-41662-001

This document was generated on 03/25/2010

PLEASE CHECK WWW.MOLEX.COM FOR LATEST PART INFORMATION

A-41662-* N * * - *

PACKAGING AND OPTIONS

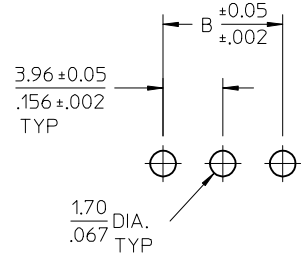
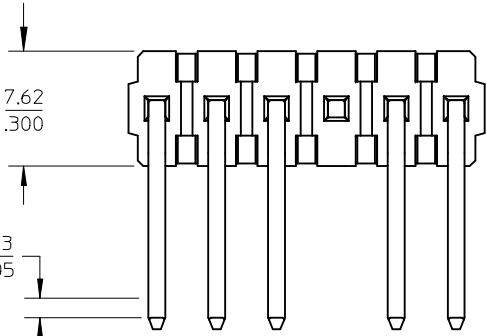
NO. OF CKTS.

PIN DIMENSIONS

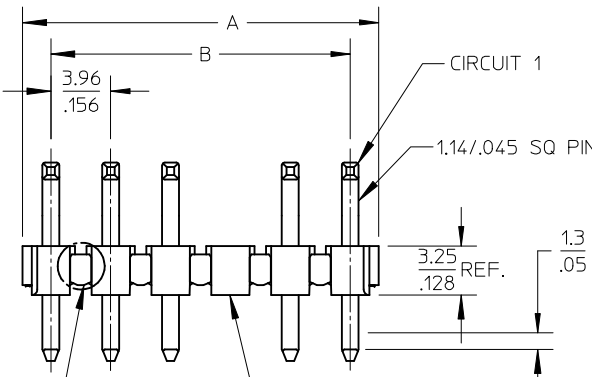
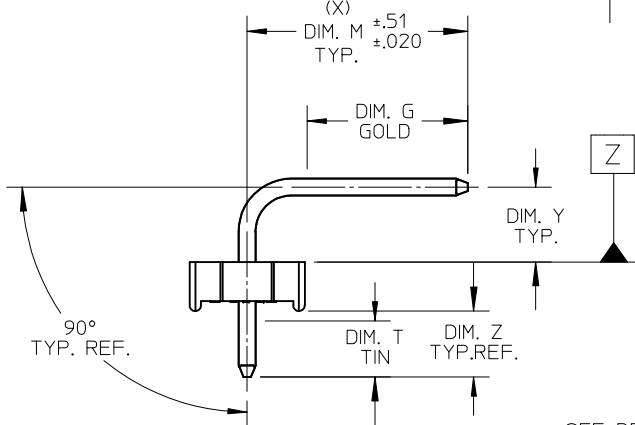
PLATING

VOID LOCATIONS:
 BLANK = NO VOIDS
 NO.= CKT NO. VOIDED
 MULT. VOIDS START WITH 51

CENTERLINE OF PIN IN AREA SHOWN NOT TO VARY FROM CENTERLINE OF PIN AT DATUM Z BY MORE THAN 0.20/.008 IN ANY DIRECTION.



PCB LAYOUT: COMPONENT SIDE
 RECOMMENDED PCB THICKNESS:
 (1.57 ± .18) / .062 ± .007



1.3 CENTERLINE OF PIN IN AREA SHOWN NOT TO VARY FROM CENTERLINE OF PIN AT DATUM Z BY MORE THAN 0.13/.005 IN ANY DIRECTION.

SEE DETAIL A

OPTIONAL VOIDED CKT. SEE CHART FOR LOCATIONS

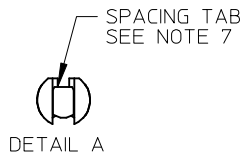
NOTES:

- MATERIAL: GLASS FILLED POLYESTER, 94V-0, MOLDED BLACK
- FINISH: PER SDES-88
 - (102) OVERALL TIN: 0.00508/.000200 MIN.
 - OVERALL COPPER UNDERPLATE: 0.00254/.000100 MIN.
 - (154) OVERALL TIN: 0.00254/.000100 MIN.
 - OVERALL NICKEL UNDERPLATE: 0.00127/.000050 MIN.
 - (208) SELECT GOLD: 0.00038/.000015 MIN.
 - * SELECT TIN: 0.00254/.000100 MIN
 - OVERALL NICKEL UNDERPLATE: 0.00127/.000050 MIN.
 - (228) SELECT GOLD: 0.00076/.000030 MIN.
 - * SELECT TIN: 0.00254/.000100 MIN.
 - OVERALL NICKEL UNDERPLATE: 0.00127/.000050 MIN.
 - (501) OVERALL GOLD: 0.00051/.000020 MIN.
 - OVERALL NICKEL UNDERPLATE: 0.00076/.000030 MIN.

- PRODUCT SPECIFICATION: PS-08-50.
- PACKAGING INFORMATION: SEE CHARTS
- SOLDERABILITY: PER SMES-152.
- PIN PUSH-OUT FORCE: PRIOR TO SOLDERING, A 3 LB. MINIMUM FORCE (IN EITHER DIRECTION) SHALL BE REQUIRED TO PUSH THE PIN OUT OF THE HEADER.
- PARTS ARE STACKABLE END TO END ON 3.96/.156 CENTERS. (SPACING TABS MUST BE REMOVED ON CIRCUIT SIZES 1-23 BEFORE PARTS ARE STACKABLE.)
- THE PRIMARY SHIPPING CARTON WILL BE LABELED, "COMPLIANT TO RoHS DIRECTIVE 2002/95/EC AND ELV ANNEX II OF DIRECTIVE 2000/53/EC". CARTONS WITHOUT THIS LABEL MAY CONTAIN PRODUCT WITH TIN-LEAD PLATING.
- THIS PART CONFORMS TO CLASS B REQUIREMENTS OF COSMETIC SPECIFICATION PS-45499-002.

CIRCUIT	B	A
2	3.96 .156	6.78/7.87 .2677/.310
3	7.92 .312	10.74/11.84 .4231/.466
4	11.89 .468	14.71/15.80 .5791/.622
5	15.85 .624	18.67/19.76 .7351/.778
6	19.81 .780	22.63/23.72 .8917/.934
7	23.77 .936	26.59/27.69 1.047/1.090
8	27.74 1.092	30.56/31.65 1.203/1.246
9	31.70 1.248	34.52/35.61 1.359/1.402
10	35.66 1.404	38.48/39.57 1.515/1.558
11	39.62 1.560	42.44/43.54 1.671/1.714
12	43.59 1.716	46.41/47.50 1.827/1.870
13	47.55 1.872	50.37/51.46 1.983/2.026
14	51.51 2.028	54.33/55.42 2.139/2.182
15	55.47 2.184	58.29/59.39 2.295/2.338
16	59.44 2.340	62.26/63.35 2.451/2.494
17	63.40 2.496	66.22/67.31 2.607/2.650
18	67.36 2.652	70.18/71.27 2.763/2.806
19	71.32 2.808	74.14/75.23 2.919/2.962
20	75.29 2.964	78.11/79.20 3.075/3.118
21	79.25 3.120	82.07/83.16 3.231/3.274
22	83.21 3.276	86.03/87.12 3.387/3.430
23	87.17 3.432	89.94/91.08 3.541/3.586
24	91.14 3.588	93.85/95.00 3.695/3.740

2-*	AH7
1	REV.
SHT.	REV.



REMOVE 41662-0684 EC NO: UCP2010-0149 DRWN:MKLIPPER 2009/08/05 CHK'D:SSOUSEK 2009/08/10 APPR:FSM TH 2009/08/11	QUALITY SYMBOLS
	<p>▽=0</p> <p>▽=0</p>
DESCRIPTION	REV
AH7	

GENERAL TOLERANCES (UNLESS SPECIFIED)	
	MM/IN
4 PLACES	± --- / ± ---
3 PLACES	± --- / ± .010
2 PLACES	± 0.25 / ± .014
1 PLACE	± 0.36 / ± ---
ANGULAR ±1/2°	
DRAFT WHERE APPLICABLE MUST REMAIN WITHIN DIMENSIONS	

DIMENSION STYLE	
MM/IN	
DRAWN BY	DATE
JSCHAFFER	2003/09/15
CHECKED BY	DATE
KSAMIEC	2003/09/15
APPROVED BY	DATE
MARGULIS	2003/09/15
MATERIAL NO.	
SEE CHART	
SIZE	
A	

SCALE	DESIGN UNITS	THIRD ANGLE PROJECTION	
4:1	INCH		
TITLE			
KK .156 HEADER ASSEMBLY FLAT BREAKAWAY 2-24 CKTS.			
MOLEX INCORPORATED			
DOCUMENT NO.			SHEET NO.
SD-41662-001			1 OF 12
THIS DRAWING CONTAINS INFORMATION THAT IS PROPRIETARY TO MOLEX INCORPORATED AND SHOULD NOT BE USED WITHOUT WRITTEN PERMISSION			