

**PLEASE CHECK WWW.MOLEX.COM FOR LATEST PART INFORMATION**

**Part Number:** [0716612430](#)  
**Status:** **Active**  
**Overview:** [ebbi\\_50d](#)  
**Description:** 1.27mm (.050") Pitch EBBI™ 50D Plug, Right Angle, 130 Circuits, 3.18mm (.125") PC Tail Length

**Documents:**

[3D Model](#) [RoHS Certificate of Compliance \(PDF\)](#)  
[Drawing \(PDF\)](#)

**Agency Certification**

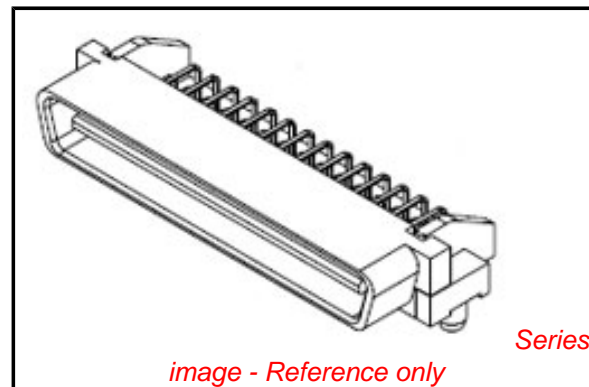
CSA LR19980  
 UL E29179

**General**

Product Family PCB Headers  
 Series [71661](#)  
 Application Board-to-Board, Wire-to-Board  
 Overview [ebbi\\_50d](#)  
 Product Name EBBI™

**Physical**

Breakaway No  
 Circuits (Loaded) 130  
 Circuits (maximum) 130  
 Color - Resin Black  
 Durability (mating cycles max) 2,000  
 First Mate / Last Break No  
 Flammability 94V-0  
 Glow-Wire Compliant No  
 Guide to Mating Part No  
 Keying to Mating Part None  
 Lock to Mating Part Yes  
 Material - Metal Brass  
 Material - Plating Mating Gold  
 Material - Plating Termination Tin  
 Material - Resin High Temperature Thermoplastic  
 Number of Rows 4  
 Orientation Right Angle  
 PC Tail Length (in) 0.125 In  
 PC Tail Length (mm) 3.18 mm  
 PCB Locator Yes  
 PCB Retention Yes  
 PCB Thickness Recommended (in) 0.062 In  
 PCB Thickness Recommended (mm) 1.60 mm  
 Packaging Type Tray  
 Pitch - Mating Interface (in) 0.050 In  
 Pitch - Mating Interface (mm) 1.27 mm  
 Pitch - Term. Interface (in) 0.050 In  
 Pitch - Term. Interface (mm) 1.27 mm  
 Plating min: Mating (µin) 30  
 Plating min: Mating (µm) 0.76  
 Plating min: Termination (µin) 50  
 Plating min: Termination (µm) 1.30  
 Polarized to Mating Part Yes  
 Polarized to PCB Yes



**EU RoHS**

**ELV and RoHS Compliant**  
**REACH SVHC Contains SVHC: No**  
**Halogen-Free Status**  
**Not Reviewed**

**China RoHS**



**Need more information on product environmental compliance?**

Email [productcompliance@molex.com](mailto:productcompliance@molex.com)  
 For a multiple part number RoHS Certificate of Compliance, [click here](#)

Please visit the [Contact Us](#) section for any non-product compliance questions.

**Search Parts in this Series**

[71661Series](#)

**Mates With**

EBBI™ 50D Receptacle [71660](#) , [87552](#)

Shrouded	Fully
Stackable	No
Surface Mount Compatible (SMC)	No
Temperature Range - Operating	-40°C to +105°C
Termination Interface: Style	Through Hole

**Electrical**

Current - Maximum per Contact	1A
Voltage - Maximum	30V

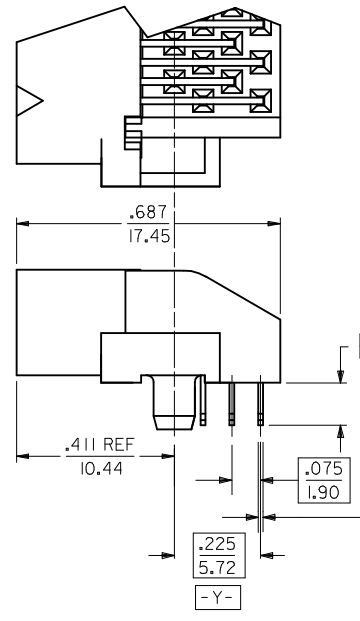
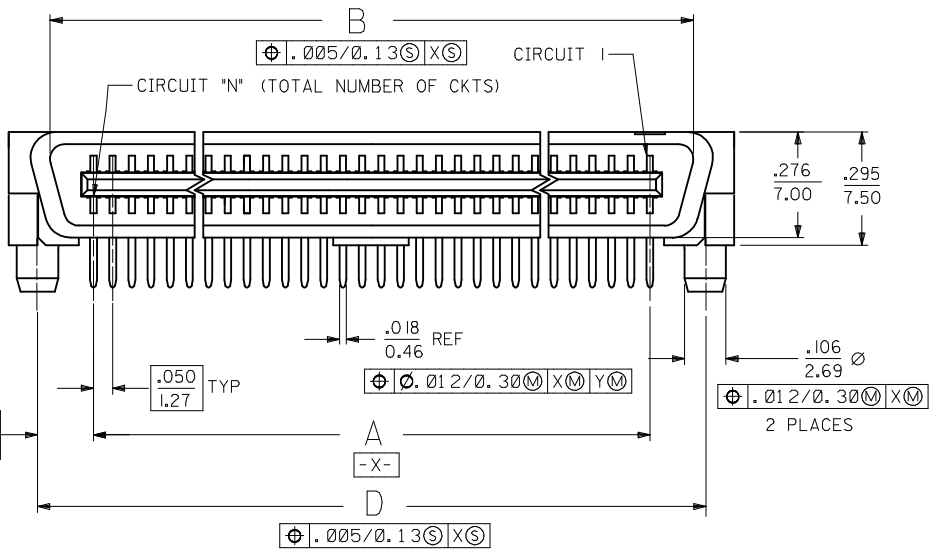
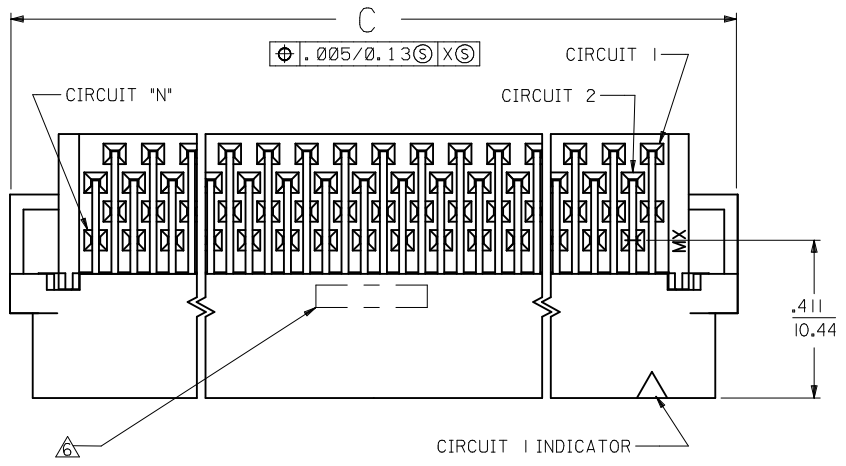
**Material Info****Reference - Drawing Numbers**

Packaging Specification	PK-70873-084*
Sales Drawing	SDA-71661-2***

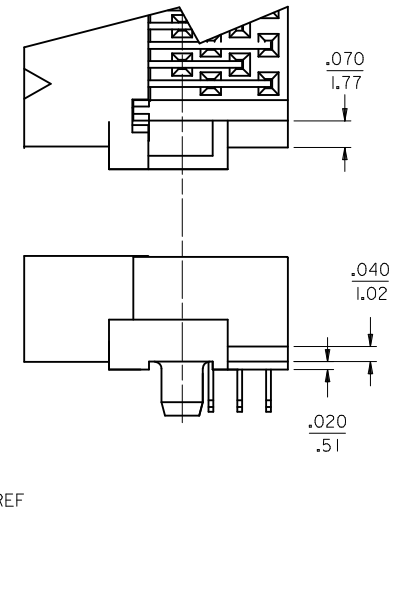
This document was generated on 05/31/2010

**PLEASE CHECK [WWW.MOLEX.COM](http://WWW.MOLEX.COM) FOR LATEST PART INFORMATION**

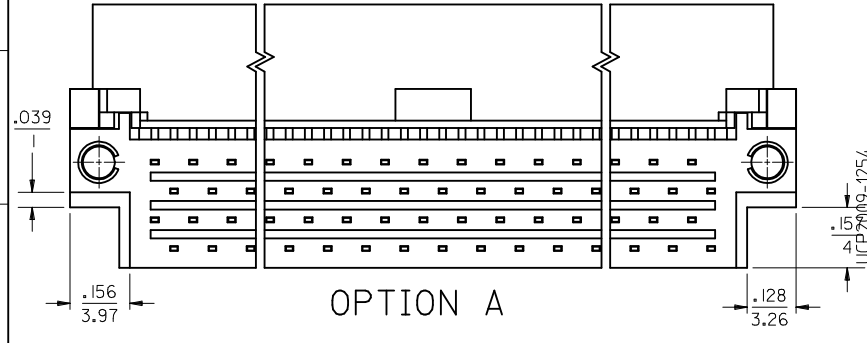
NOTES:  
 1. MATERIAL:  
 HOUSING: LIQUID CRYSTAL POLYMER (LCP), GLAS-FILLED, UL 94V-0,  
 COLOR: BLASK  
 TERMINALS: BRASS  
 2. FINISH:  
 TERMINAL: 0.76 MICROMETERS/30 MICROINCHES MINIMUM SELECTIVE GOLD  
 IN CONTACT AREA, 1.27 MICROMETERS/50 MICROINCHES MINIMUM  
 SELECTIVE TIN IN THE PC TAIL AREA; NICKEL UNDERPLATE OVERALL  
 3. ASSEMBLY MATES WITH MOLEX P/N SDA-71660-\*\*\*\*  
 4. CONFORMS TO PRODUCT SPEC: PS-71660  
 ⚠️ RECOMMENDED PC BOARD THICKNESS IS .062/1.60  
 ⚠️ FOUR DIGIT DATE CODE (WK,YR) EXAMPLE 26 96 LOCATED IN AREA SHOWN  
 ⚠️ TOOLING STATUS: "X" INDICATES NO TOOLING AVAILABLE  
 CONTACT FACTORY FOR FURTHER INFORMATION



END DETAIL  
 OPTION A  
 (BOTH ENDS)



END DETAIL  
 OPTION B  
 (BOTH ENDS)

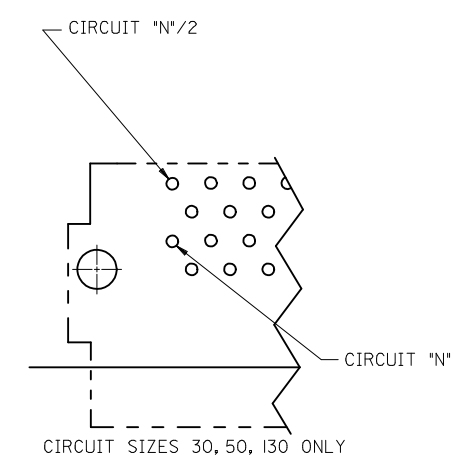
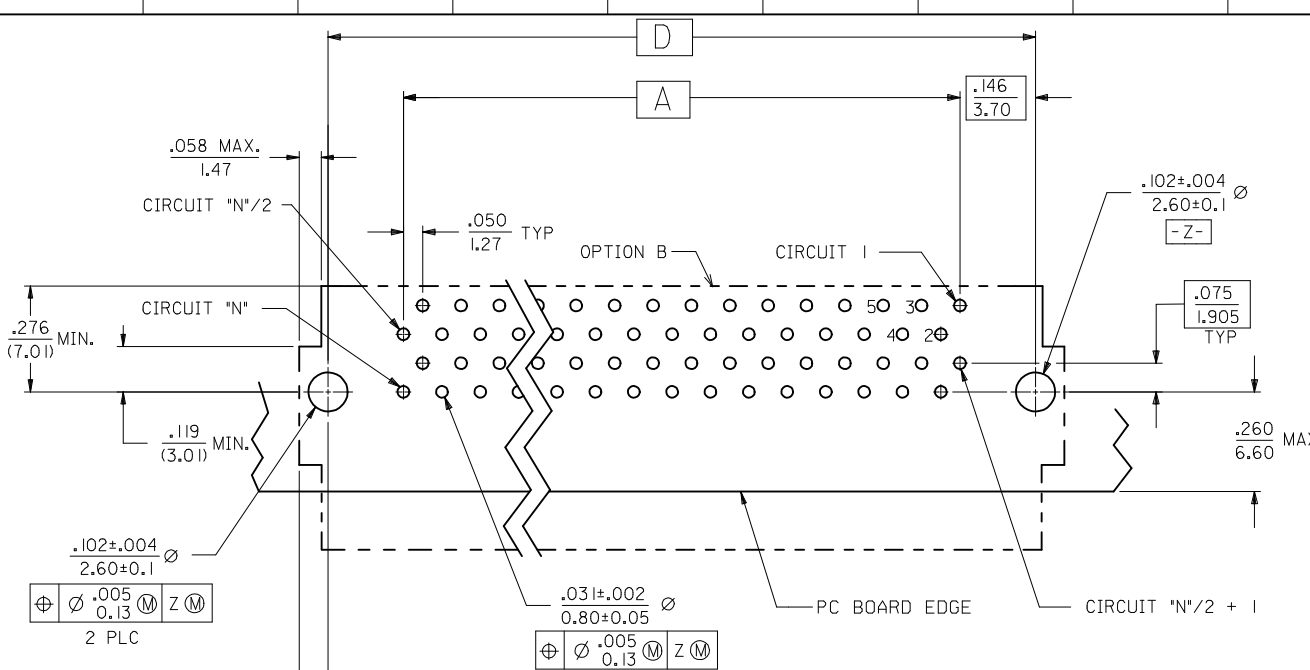


OPTION A

CHANGE MATERIAL	EC NO:	2008/12/19
	DRWN:SBARRA	2009/01/06
	CHKD:BBARKER	2009/01/06
	APPR:SMILLER	2009/01/06
REV	DESCRIPTION	
N		

QUALITY SYMBOLS	▽=0	
	▽=0	
GENERAL TOLERANCES (UNLESS SPECIFIED)	mm	INCH
	4 PLACES ± .010	± .010
	3 PLACES ± .010	± .010
	2 PLACES ± 0.25	± .010
	1 PLACE ± .010	± .010
ANGULAR ± 1/2°		
DRAFT WHERE APPLICABLE MUST REMAIN WITHIN DIMENSIONS		

DIMENSION STYLE		SCALE	DESIGN UNITS	THIRD ANGLE PROJECTION
IN/MM		4:1	INCH	
DRAWN BY	DATE	TITLE		
RAN	1993/02/23	SALES ASSEMBLY		
CHECKED BY	DATE	EBBI 50D RIGHT ANGLE		
RAN	1993/02/23	PLUG CONNECTOR		
APPROVED BY	DATE	MOLEX INCORPORATED		
CAB	1993/02/23	MOLEX INCORPORATED		
MATERIAL NO.	DOCUMENT NO.	SHEET NO.		
SEE TABLE	SDA-71661-2***	1 OF 2		
SIZE	THIS DRAWING CONTAINS INFORMATION THAT IS PROPRIETARY TO MOLEX INCORPORATED AND SHOULD NOT BE USED WITHOUT WRITTEN PERMISSION			
C				



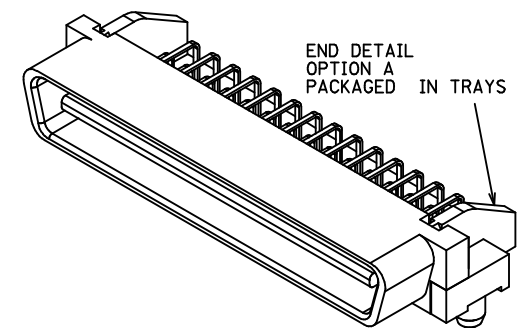
⊕ ∅ .005  
0.13 M Z M  
2 PLC

⊕ ∅ .031±.002  
0.80±0.05 M Z M  
⊕ ∅ .005  
0.13 M Z M

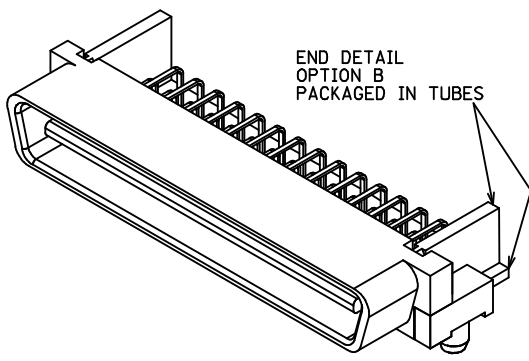
RECOMMENDED PC BOARD LAYOUT  
COMPONENT SIDE

TRAY PACK  
PER SPEC.  
PK-70873-084\*

END DETAIL  
OPTION "A"



50 CIRCUIT ASSEMBLY SHOWN



.125 (3.18)	3.491 (88.68)	3.642 (92.50)	3.426 (87.02)	3.200 (81.28)	130	7166 I-2430
	3.241 (82.33)	3.392 (86.15)	3.176 (80.67)	2.950 (74.93)	120	7166 I-2420
	2.741 (69.63)	2.892 (73.45)	2.676 (67.97)	2.450 (62.23)	100	7166 I-2400
	2.241 (56.93)	2.392 (60.75)	2.176 (55.27)	1.950 (49.53)	80	7166 I-2380
	1.941 (49.31)	2.092 (53.13)	1.875 (47.65)	1.650 (41.91)	68	7166 I-2368
	1.741 (44.23)	1.892 (48.05)	1.676 (42.57)	1.450 (36.83)	60	7166 I-2360
	1.491 (37.88)	1.642 (41.70)	1.426 (36.22)	1.200 (30.48)	50	7166 I-2350
	1.241 (31.53)	1.392 (35.35)	1.176 (29.87)	.950 (24.13)	40	7166 I-2340
	.991 (25.18)	1.142 (29.00)	.925 (23.52)	.700 (17.78)	30	7166 I-2330
	.110 (2.79)	3.491 (88.68)	3.642 (92.50)	3.426 (87.02)	3.200 (81.28)	130
3.241 (82.33)		3.392 (86.15)	3.176 (80.67)	2.950 (74.93)	120	7166 I-2120
2.741 (69.63)		2.892 (73.45)	2.676 (67.97)	2.450 (62.23)	100	7166 I-2100
2.241 (56.93)		2.392 (60.75)	2.176 (55.27)	1.950 (49.53)	80	7166 I-2080
1.941 (49.31)		2.092 (53.13)	1.875 (47.65)	1.650 (41.91)	68	7166 I-2068
1.741 (44.23)		1.892 (48.05)	1.676 (42.57)	1.450 (36.83)	60	7166 I-2060
1.491 (37.88)		1.642 (41.70)	1.426 (36.22)	1.200 (30.48)	50	7166 I-2050
1.241 (31.53)		1.392 (35.35)	1.176 (29.87)	.950 (24.13)	40	7166 I-2040
.991 (25.18)		1.142 (29.00)	.925 (23.52)	.700 (17.78)	30	7166 I-2030
E		D	C	B	A	CKT ("N")

CHANGE MATERIAL EC NO: UCP2009-1254 DRWIN:SBARRA 2008/12/19 CHKD:BBARKER 2009/01/06 APPR:SMILLER 2009/01/06	DESCRIPTION	QUALITY SYMBOLS ▽=0 ▽=0
REV: N		

GENERAL TOLERANCES (UNLESS SPECIFIED)	DIMENSION STYLE IN/MM
4 PLACES ± --- ± ---	DRAWN BY DATE RAN 1993/02/23
3 PLACES ± --- ± .010	CHECKED BY DATE
2 PLACES ± 0.25 ± ---	RAN 1993/02/23
1 PLACE ± --- ± ---	APPROVED BY DATE CAB 1993/02/23
ANGULAR ± 1/2°	MATERIAL NO. SEE TABLE
DRAFT WHERE APPLICABLE MUST REMAIN WITHIN DIMENSIONS	DOCUMENT NO. SDA-71661-2***

SCALE 4:1	DESIGN UNITS INCH	THIRD ANGLE PROJECTION
SALES ASSEMBLY EBBI 50D RIGHT ANGLE PLUG CONNECTOR		
MOLEX INCORPORATED		
SHEET NO. 2 OF 2		

THIS DRAWING CONTAINS INFORMATION THAT IS PROPRIETARY TO MOLEX INCORPORATED AND SHOULD NOT BE USED WITHOUT WRITTEN PERMISSION