

PLEASE CHECK WWW.MOLEX.COM FOR LATEST PART INFORMATION

Part Number: [0716607508](#)
Status: **Active**
Description: 1.27mm (.050") Pitch EBBI™ 50D Receptacle, Vertical, Blind-Mate, 80 Circuits

Documents:

[3D Model](#) [RoHS Certificate of Compliance \(PDF\)](#)
[Drawing \(PDF\)](#)

Agency Certification

CSA LR19980
 UL E29179

General

Product Family PCB Receptacles
 Series [71660](#)
 Application Board-to-Board
 Comments Circuits 1, 36-43, 45, 46, and 75-80 are advanced terminals for sequential first-mate/last-break mating EBBI™
 Product Name

Physical

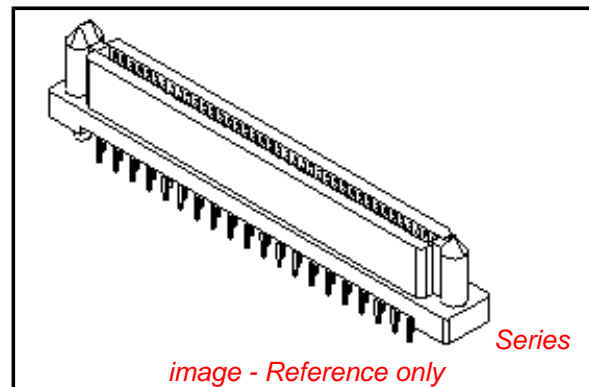
Circuits (Loaded) 80
 Color - Resin Black
 Durability (mating cycles max) 2,000
 Flammability 94V-0
 Glow-Wire Compliant No
 Material - Metal Phosphor Bronze
 Material - Plating Mating Gold
 Material - Plating Termination Tin
 Material - Resin High Temperature Thermoplastic
 Number of Rows 2
 Orientation Vertical
 PC Tail Length (in) 0.110 In
 PC Tail Length (mm) 2.79 mm
 PCB Locator Yes
 PCB Retention Yes
 PCB Thickness Recommended (in) 0.062 In
 PCB Thickness Recommended (mm) 1.60 mm
 Packaging Type Tray
 Pitch - Mating Interface (in) 0.050 In
 Pitch - Mating Interface (mm) 1.27 mm
 Plating min: Mating (µin) 30
 Plating min: Mating (µm) 0.75
 Plating min: Termination (µin) 10
 Plating min: Termination (µm) 0.25
 Polarized to PCB Yes
 Temperature Range - Operating -40°C to +105°C
 Termination Interface: Style Through Hole

Electrical

Current - Maximum per Contact 1A
 Voltage - Maximum 30V

Solder Process Data

Lead-free Process Capability SMC & Wave Capable (TH only)
 Process Temperature max. C 260



EU RoHS

ELV and RoHS Compliant
REACH SVHC Contains SVHC: No
Halogen-Free Status

China RoHS



Need more information on product environmental compliance?

Email productcompliance@molex.com
 For a multiple part number RoHS Certificate of Compliance, [click here](#)

Please visit the [Contact Us](#) section for any non-product compliance questions.

Search Parts in this Series

[71660Series](#)

Mates With

[71661-7xxx](#) , [71661-25xx](#)

Material Info

Reference - Drawing Numbers

Sales Drawing

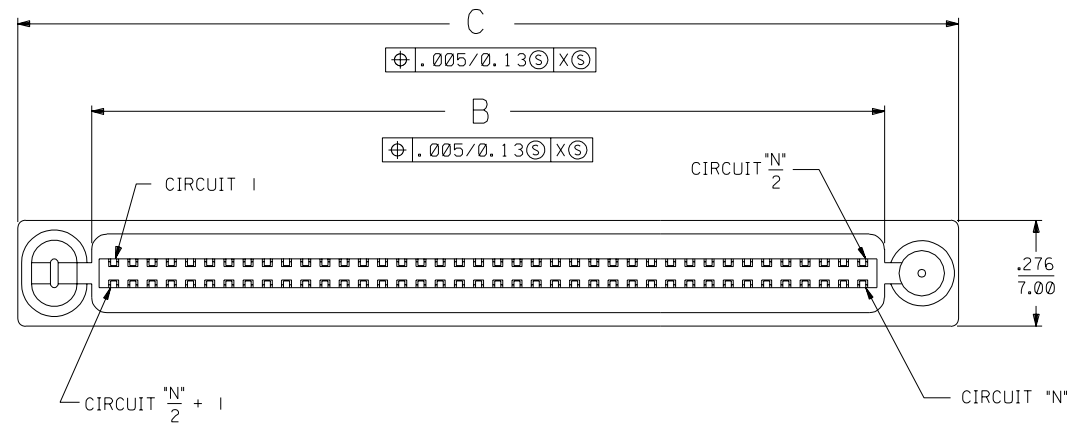
SDA-71660-75**

This document was generated on 04/14/2010

PLEASE CHECK WWW.MOLEX.COM FOR LATEST PART INFORMATION

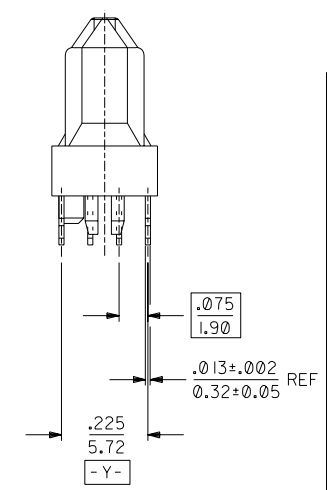
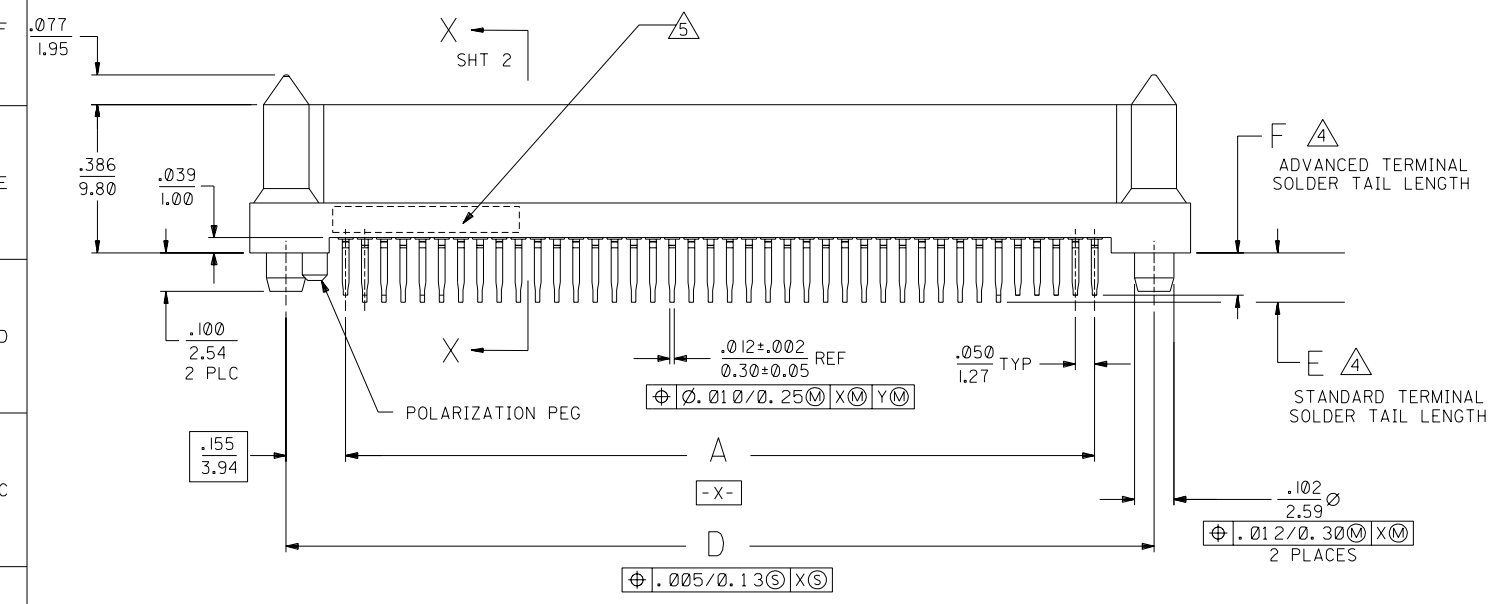
NOTES:

- 1) MATERIALS:
HOUSING- LCP, GLASS FILLED, UL94V-0, BLACK.
TERMINALS- COPPER ALLOY
- 2) FINISH:
TERMINALS:
.000030/(0.00076) MINIMUM GOLD IN CONTACT AREA AND
.000050/(0.00127) MINIMUM TIN IN TAIL AREA OVER
.000075/(0.00191) MINIMUM NICKEL UNDERPLATING OVERALL.
- 3) ASSEMBLY MATES WITH MOLEX P/N SDA-71661-7***.
CONFORMS TO PRODUCT SPECIFICATION PS-71660.
- 4) SEE TABLE ON SHEET 2 FOR ADVANCED TERMINAL LIST
- 5) FOUR DIGIT DATE CODE (WK YR), EXAMPLE => 26 96
LOCATED IN AREA INDICATED.



NOTE FOR LEAD FREE CONVERSION:

THE PRIMARY SHIPPING CARTON WILL BE LABELED "COMPLIANT TO ROHS DIRECTIVE 2002/95/EC AND ELV ANNEX II OF DIRECTIVE 2000/53/EC". CARTONS WITHOUT THIS LABEL MAY CONTAIN PRODUCT WITH LEAD.



J	LEAD FREE CONV ECN UCP2004-2096 RKADAMS 04/04/23
I	ADDED PART NO'S ECN UDT2002-1289 BBARKER 02/05/10
H	REVISED UDT2001-1091 BSMART 01/04/11
GI	ECN UDT 2000-1086 ACHAMMER 00/06/05
G	REVISED PER ECN U71314 ACHAMMER 97/4/28
F	REVISED PER ECN U6090 ACHAMMER 96/7/26
E	REVISED PER ECN U60641 11-29-95 DRS
D	REVISED PER ECN U60564 11-8-95 RAN
C	REV. ADVANCED PIN PER ECN U51015 4-7-95 RAN
B	REV. ADVANCED PIN PER ECN U50727 1-24-95 RAN
A	INITIAL RELEASE PER ECN U50643 12-29-94 RAN

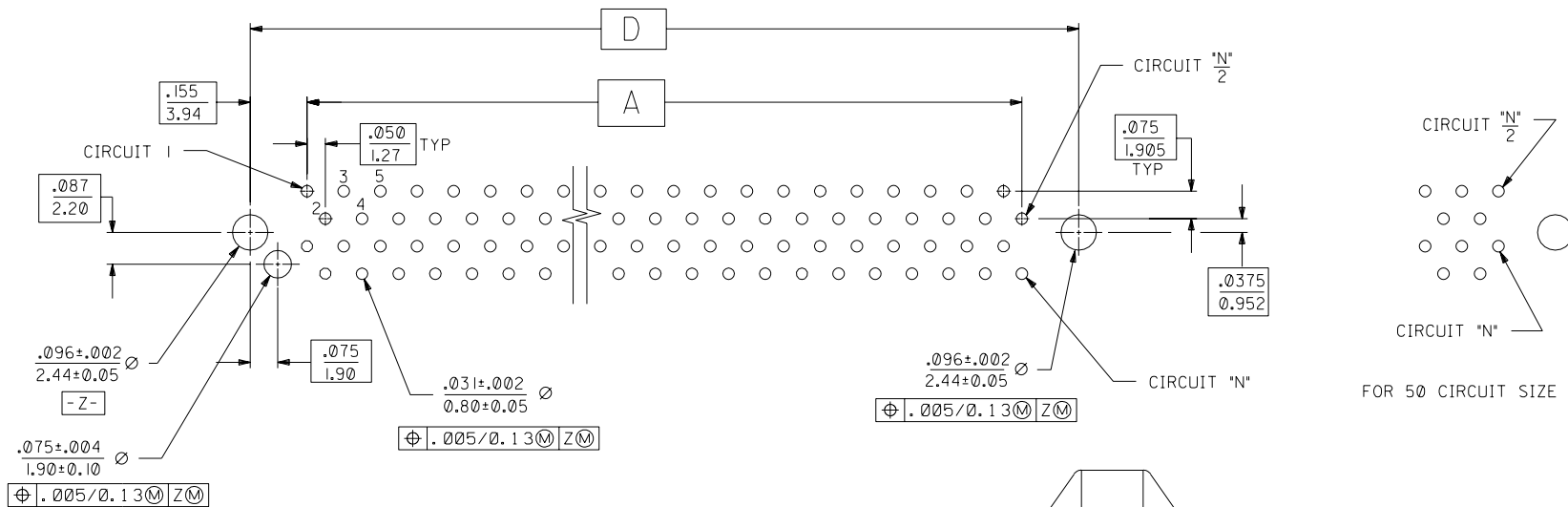
DIMENSIONS SHOWN (METRIC) INCH		▽ = 0		▼ = 0		REVISE ONLY ON CAD SYSTEM	
UNLESS OTHERWISE SPECIFIED TOLERANCES: ANGULAR ± 1/2°							
INCH		METRIC					
3 PLACE	± .005	---					
2 PLACE	± ---	± 0.13					
1 PLACE	---	± ---					
DRAFT WHERE APPLICABLE MUST REMAIN WITHIN DIMENSIONS							
DRWG. BY	RAN	CHK'D. BY	RAN	FILE NAME	57166075	SHEET NO.	1 OF 2
APP'D. BY	CAB	SCALE	4: 1	THIS DRAWING CONTAINS INFORMATION THAT IS PROPRIETARY TO MOLEX INC. AND SHOULD NOT BE USED WITHOUT WRITTEN PERMISSION	DATE	12 / 6 / 94	SIZE

TITLE: SALES ASSY, EBBI 50D, VERTICAL, BLIND MATE RCPT W/ ADVANCED TERMINALS

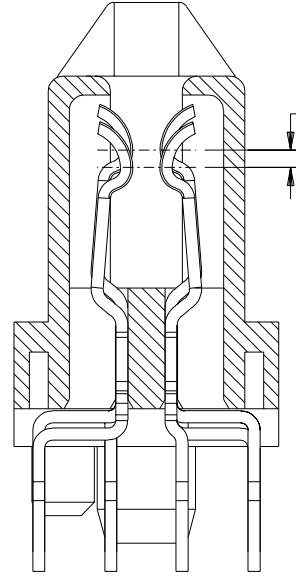
PART NO. SDA-71660-75**

MOLEX INCORPORATED, MOLEX, LITSE, ILL. 60532 U.S.A.

13	12	11	10	9	8	7	6	71660	4	3	2	1
ITEM NUMBER	CIRCUIT SIZE ("N")	A	B	C	D	E ±.010 (±0.25)	F ±.010 (±0.25)	ADVANCED CIRCUITS				
71660-7501	68	1.650 (41.91)	1.765 (44.83)	2.149 (54.58)	1.960 (49.78)	.134 (3.40)	.116 (2.95)	5, 6, 39, 64, 66, 68				
71660-7504	40	.950 (24.13)	1.065 (27.05)	1.449 (36.80)	1.260 (32.00)	.128 (3.25)	.110 (2.79)	1, 2, 3, 18, 19, 20				
71660-7505	50	1.200 (30.48)	1.315 (33.40)	1.699 (43.15)	1.510 (38.35)	.128 (3.25)	.110 (2.79)	1, 2, 3, 23, 24, 25				
71660-7508	80	1.950 (49.53)	2.065 (52.45)	2.449 (62.20)	2.260 (57.40)	.128 (3.25)	.110 (2.79)	1, 36-43, 45, 46, 75-80				



RECOMMENDED PC BOARD LAYOUT
COMPONENT SIDE
FOR 40, 68 AND 80 CIRCUIT SIZES



SECTION X-X
SCALE - 10:1
HOUSING WALLS BETWEEN TERMINALS
NOT SHOWN FOR CLARITY

.015 MINIMUM OFFSET BETWEEN
STANDARD AND ADVANCED TERMINALS

DIMENSIONS SHOWN (METRIC) INCH		▽ = 0		▼ = 0		REVISE ONLY ON CAD SYSTEM	
UNLESS OTHERWISE SPECIFIED TOLERANCES: ANGULAR ± 1/2°							
3 PLACE	± .010	---	---				
2 PLACE	± ---	± 0.25					
1 PLACE	---	± ---					
DRAFT WHERE APPLICABLE MUST REMAIN WITHIN DIMENSIONS							
DRWG. BY	RAN	CHK'D. BY	RAN	FILE NAME	57166075	SHEET NO.	2
APP'D. BY	CAB	SCALE	4: 1	DATE	12 / 6 / 94	U.S.A.	
PART NO. SEE SHEET 1				DRWG. NO. SDA-71660-75**			
THIS DRAWING CONTAINS INFORMATION THAT IS PROPRIETARY TO MOLEX INC. AND SHOULD NOT BE USED WITHOUT WRITTEN PERMISSION							

I	ADD PART NO'S ECN UDT2002-1289 BBARKER 02/05/10
H	DELETE 50 CKT UDT2001-1091 BSMART 01/04/11
G1	SEE SHEET 1

MFG.	SH.	REV.	LTR.	REVISIONS
------	-----	------	------	-----------

71660