

**PLEASE CHECK WWW.MOLEX.COM FOR LATEST PART INFORMATION**

**Part Number:** [0743232052](#)  
**Status:** **Active**  
**Description:** MicroCross™ DVI Digital Single Link, High Volume Plug Connector Sub- assembly, ESD Type, 0.76µm (30µ") Gold (Au) Plating, Vertical, with key, 18 Circuits, Lead Free

**Documents:**

[Drawing \(PDF\)](#) [RoHS Certificate of Compliance \(PDF\)](#)

**Agency Certification**

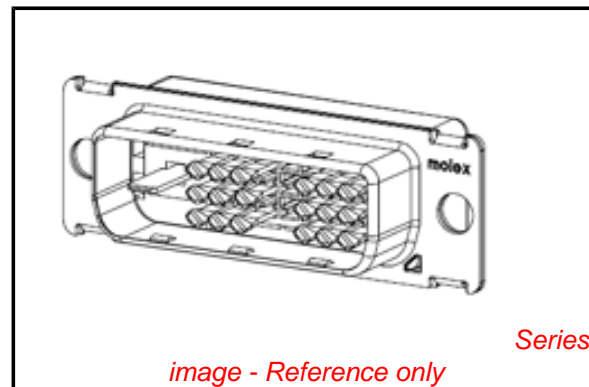
CSA LR19980  
 UL E29179

**General**

Product Family I/O Connectors  
 Series [74323](#)  
 Application Wire-to-Board  
 Comments DDWG (Digital Display Working Group) Standard  
 Component Type I/O Plug Connector Subassembly  
 Product Name MicroCross™DVI  
 Type N/A

**Physical**

Boot Color N/A  
 Circuits (Loaded) 18  
 Circuits (maximum) 24  
 Circuits Detail Circuits 1-3,6-8,9-11,14-16,17-19,22-24 are loaded; with key  
 Color - Resin Black  
 Durability (mating cycles max) 100  
 Flammability 94V-0  
 Keying to Mating Part Yes  
 Lock to Mating Part Yes  
 Material - Metal Copper Alloy  
 Material - Plating Mating Gold  
 Material - Plating Termination Tin  
 Material - Resin High Temperature Thermoplastic  
 Number of Rows 3  
 Orientation Vertical  
 PCB Retention None  
 Packaging Type Tray  
 Panel Mount N/A  
 Pitch - Mating Interface (in) 0.075 In, 0.100 In  
 Pitch - Mating Interface (mm) 1.90 mm, 2.54 mm  
 Pitch - Term. Interface (in) 0.075 In, 0.100 In  
 Pitch - Term. Interface (mm) 1.90 mm, 2.54 mm  
 Plating min: Mating (µin) 30  
 Plating min: Mating (µm) 0.76  
 Plating min: Termination (µin) 150  
 Plating min: Termination (µm) 3.80  
 Polarized to Mating Part Yes  
 Polarized to PCB Yes  
 Ports 1  
 Temperature Range - Operating -20°C to +85°C  
 Termination Interface: Style Solder or Weld  
 Waterproof / Dustproof No  
 Wire Size AWG N/A



**EU RoHS**

**ELV and RoHS Compliant**  
**REACH SVHC Not Reviewed**  
**Halogen-Free Status Not Reviewed**

**China RoHS**



**Need more information on product environmental compliance?**

Email [productcompliance@molex.com](mailto:productcompliance@molex.com)  
 For a multiple part number RoHS Certificate of Compliance, [click here](#)

Please visit the [Contact Us](#) section for any non-product compliance questions.

**Search Parts in this Series**

[74323Series](#)

**Mates With**

Other receptacle components, [74320](#) DVI Receptacle, [67351](#) DVI Receptacle

**Application Tooling | FAQ**

*Tooling specifications and manuals are found by selecting the products below. Crimp Height Specifications are then contained in the Application Tooling Specification document.*

**Global**

| Description       | Product #                  |
|-------------------|----------------------------|
| MicroCross™       | <a href="#">0621003700</a> |
| Soldering Fixture |                            |

**Electrical**

|                               |              |
|-------------------------------|--------------|
| Current - Maximum per Contact | 3A           |
| Grounding to Panel            | Yes          |
| Shield Type                   | Full Shield  |
| Shielded                      | Yes          |
| Voltage - Maximum             | 40V AC (RMS) |

**Material Info****Reference - Drawing Numbers**

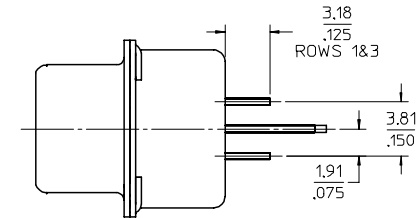
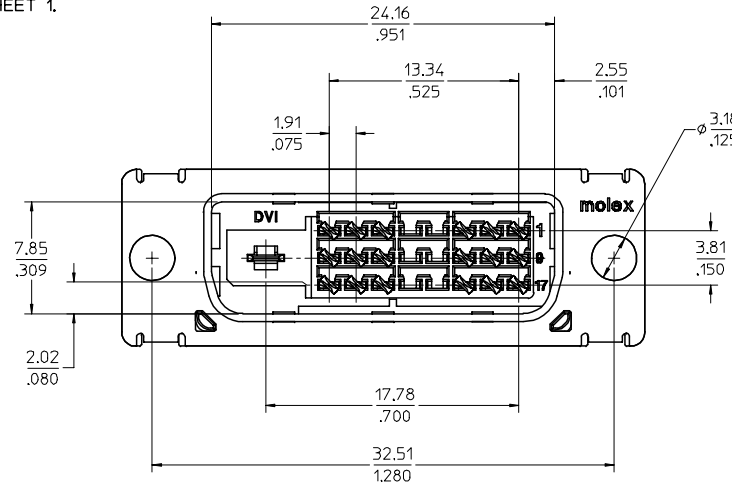
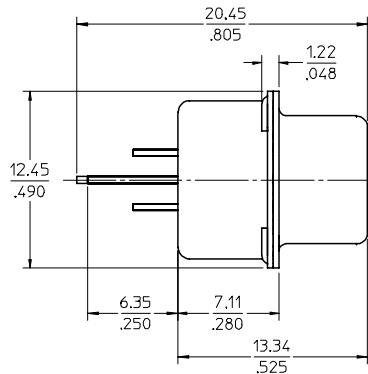
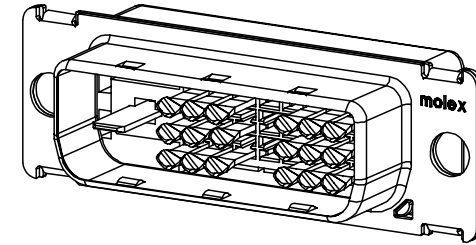
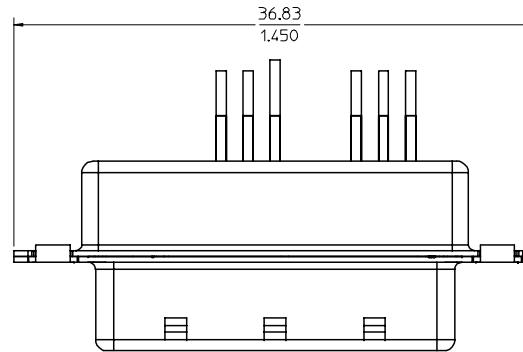
|               |              |
|---------------|--------------|
| Sales Drawing | SD-74323-006 |
|---------------|--------------|

This document was generated on 04/05/2010

**PLEASE CHECK [WWW.MOLEX.COM](http://WWW.MOLEX.COM) FOR LATEST PART INFORMATION**

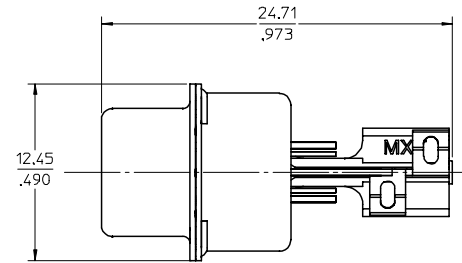
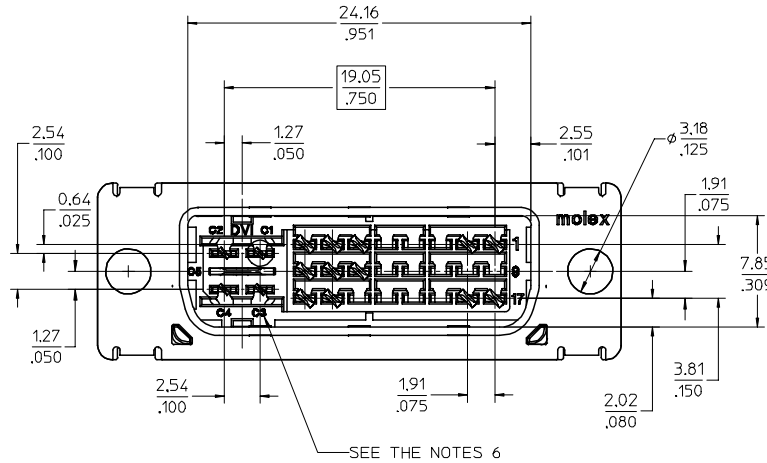
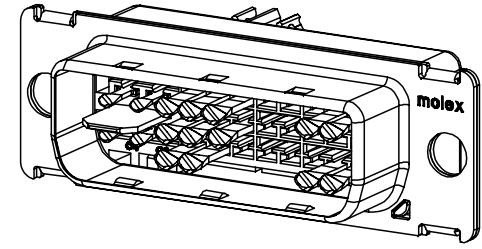
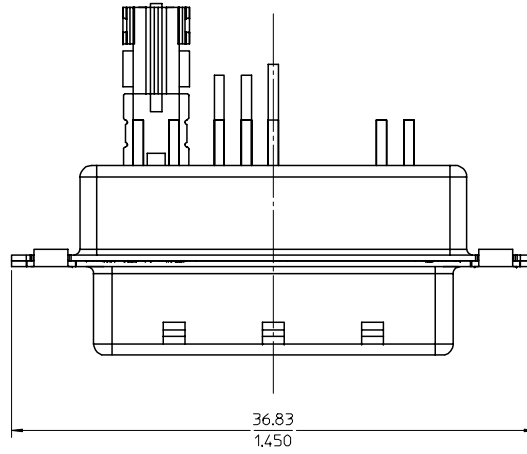
NOTES:

1. MATERIALS: HOUSING: HIGH TEMPERATURE PLASTIC  
UL 94V-0, COLOR: BLACK  
TERMINAL: COPPER ALLOY  
SHIELD: STEEL ALLOY
2. FINISH: TERMINAL: SEE THE CHART FOR GOLD PLATING OVER 1.27 MICROMETER (50  $\mu$ ) NICKEL IN CONTACT AREA AND 3.81 MICROMETER (150  $\mu$ ) PURE TIN OVER 1.27 MICROMETER (50  $\mu$ ) NICKEL AT SOLDERING AREA.  
SHIELD: 3.81 MICROMETER (150  $\mu$ ) BRIGHT TIN OVER 1.27 MICROMETER (50  $\mu$ ) NICKEL OVERALL.
3. PRODUCT SPECIFICATION: PS-74320-001 .
4. PACKAGING: PARTS ARE TO BE PACKAGED 40 PCS PER TRAY.
5. THE LOADED CIRCUITS SEE THE CHART.
6. THE TEXTS ARE SHOWN FOR REFERENCE ONLY.
7. THE DIMENSION SHOWN ON SHEET 1 REFLECT THE DVI-D SINGLE AND DUAL LINK SUB-ASSEMBLY.  
THE DIMENSION SHOWN ON SHEET 2 REFLECT THE DVI-A AND DVI-I SUB-ASSEMBLY, FOR ALL OTHER DIMENSIONS REFER TO SHEET 1.



|   |             |                 |                                       |                       |                        |                           |  |                    |  |  |
|---|-------------|-----------------|---------------------------------------|-----------------------|------------------------|---------------------------|--|--------------------|--|--|
| LEAD-FREE<br>EC NO: SH2005-0067<br>DRWN: DXUE 2004/09/02<br>CHK: YTYA004/09/03<br>APPR: JZHOU | DESCRIPTION | QUALITY SYMBOLS | GENERAL TOLERANCES (UNLESS SPECIFIED) |                       | SCALE 4:1              | DESIGN UNITS INCH         | THIRD ANGLE PROJECTION                                   | REVISE ON CAD ONLY |  |  |
|   |             | ▼ - 0<br>□ - 0  | mm                                    | INCH                  | DIMENSION STYLE IN/MM  |                           | DVI HIGH VOLUME PLUG CONNECTOR SUB-ASSEMBLY FOR ESD TYPE |                    |  |  |
|   |             |                 | 4 PLACES ± --- ± ---                  | 3 PLACES ± --- ± .010 | DRAWN BY GRACE         | DATE 00/08/09             |  |                    |  |  |
|   |             |                 | 2 PLACES ± 0.25 ± ---                 | 1 PLACE ± --- ± ---   | CHECKED BY JASON       | DATE 00/08/21             |  |                    |  |  |
| DRAFT WHERE APPLICABLE MUST REMAIN WITHIN DIMENSIONS  |             |                 | APPROVED BY MEGA                      | DATE                  | MATERIAL NO. SEE CHART | DOCUMENT NO. SD-74323-006 | SHEET NO. 1 OF 2   |                    |  |  |

| PART NUMBER | DESCRIPTION                | LOADED CIRCUITS REF.                           |
|-------------|----------------------------|--|
| 74323-2051  | DVI-D Au FLASH SINGLE LINK | 1-3,6-8,9-11,14-16,17-19,22-24, WITH KEY       |
| 74323-2052  | DVI-D 30 u' Au SINGLE LINK |  |
| 74323-2053  | DVI-D Au FLASH DUAL LINK   | 1-24, WITH KEY                                 |
| 74323-2054  | DVI-D 30 u' Au DUAL LINK   |  |
| 74323-2061  | DVI-A Au FLASH             | 1-2,6-8,14-16,17-18,23-24, C1,C2,C3,C4,C5      |
| 74323-2062  | DVI-A 30 u' Au             |  |
| 74323-2071  | DVI-I Au FLASH SINGLE LINK | 1-3,6-8,9-11,14-16,17-19,22-24, C1,C2,C3,C4,C5 |
| 74323-2072  | DVI-I 30 u' Au SINGLE LINK |  |
| 74323-2073  | DVI-I Au FLASH DUAL LINK   | 1-24, C1,C2,C3,C4,C5                           |
| 74323-2074  | DVI-I 30 u' Au DUAL LINK   |  |



SEE THE NOTES 6

|  |             |                       |                                       |   |                                |                           |  |  |
|--|-------------|-----------------------|---------------------------------------|---|--------------------------------|---------------------------|--|--|
| LEAD-FREE<br>EC NO.: SH2005-0067<br>DRWN: DXUE 2004/09/02<br>CHK: YTYA004/09/03<br>APPR: JZHOU | DESCRIPTION | QUALITY SYMBOLS       | GENERAL TOLERANCES (UNLESS SPECIFIED) | SCALE 4:1   | DESIGN UNITS INCH              | THIRD ANGLE PROJECTION    | REVISE ON CAD ONLY                                       |  |
|  |             | ▽ 0<br>◻ 0            | mm                                    | INCH  | DIMENSION STYLE IN/MM          |                           | DVI HIGH VOLUME PLUG CONNECTOR SUB-ASSEMBLY FOR ESD TYPE |  |
|  |             |                       | 4 PLACES ± --- ± ---                  |   | DRAWN BY DATE GRACE 00/08/09   |                           |  |  |
|  |             |                       | 3 PLACES ± --- ± .010                 |   | CHECKED BY DATE JASON 00/08/21 |                           |  |  |
|  |             | 2 PLACES ± 0.25 ± --- |                                       | APPROVED BY DATE MEGA 00/08/21  | MATERIAL NO. SEE CHART         | DOCUMENT NO. SD-74323-006 | SHEET NO. 2 OF 2   |  |
|  |             | 1 PLACE ± --- ± ---   | ANGULAR ± 1 °                         | MOLEX INCORPORATED  |                                |                           |  |  |
| DRAFT WHERE APPLICABLE MUST REMAIN WITHIN DIMENSIONS   |             |                       |                                       | THIS DRAWING CONTAINS INFORMATION THAT IS PROPRIETARY TO MOLEX INCORPORATED AND SHOULD NOT BE USED WITHOUT WRITTEN PERMISSION |                                |                           |  |  |