

PLEASE CHECK WWW.MOLEX.COM FOR LATEST PART INFORMATION

Part Number: **0500618100**
Status: **Active**
Description: 1.25mm (.049") Pitch Board-In Crimp Terminal, 28-32 AWG, Bag

Documents:

[3D Model](#) [Product Specification PS-51022-001 \(PDF\)](#)
[Drawing \(PDF\)](#) [RoHS Certificate of Compliance \(PDF\)](#)

General

Product Family Crimp Terminals
 Series 50061
 Crimp Quality Equipment Yes
 Product Name Board-In

Physical

Gender Male
 Material - Metal Phosphor Bronze
 Material - Plating Mating Tin
 Material - Plating Termination Tin
 Packaging Type Bag
 Plating min: Mating (µin) 36
 Plating min: Mating (µm) 0.90
 Plating min: Termination (µin) 36
 Plating min: Termination (µm) 0.90
 Termination Interface: Style Crimp or Compression
 Wire Insulation Diameter 0.50-1.00mm (.020-.039")
 Wire Size AWG 28, 30, 32
 Wire Size mm² N/A

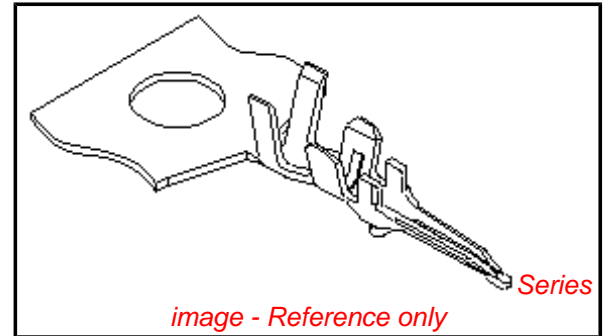
Electrical

Current - Maximum per Contact 0.8A, 1A
 Voltage - Maximum 125V

Material Info

Reference - Drawing Numbers

Product Specification PS-51022-001, RPS-51022-001
 Sales Drawing SD-50061-8*00



EU RoHS

ELV and RoHS Compliant
REACH SVHC Contains SVHC: No
Halogen-Free Status
Not Reviewed

China RoHS



Need more information on product environmental compliance?

Email productcompliance@molex.com
 For a multiple part number RoHS Certificate of Compliance, [click here](#)

Please visit the [Contact Us](#) section for any non-product compliance questions.

Search Parts in this Series

50061Series

Use With

51022

Application Tooling | FAQ

Tooling specifications and manuals are found by selecting the products below. Crimp Height Specifications are then contained in the Application Tooling Specification document.

Global

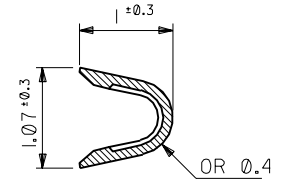
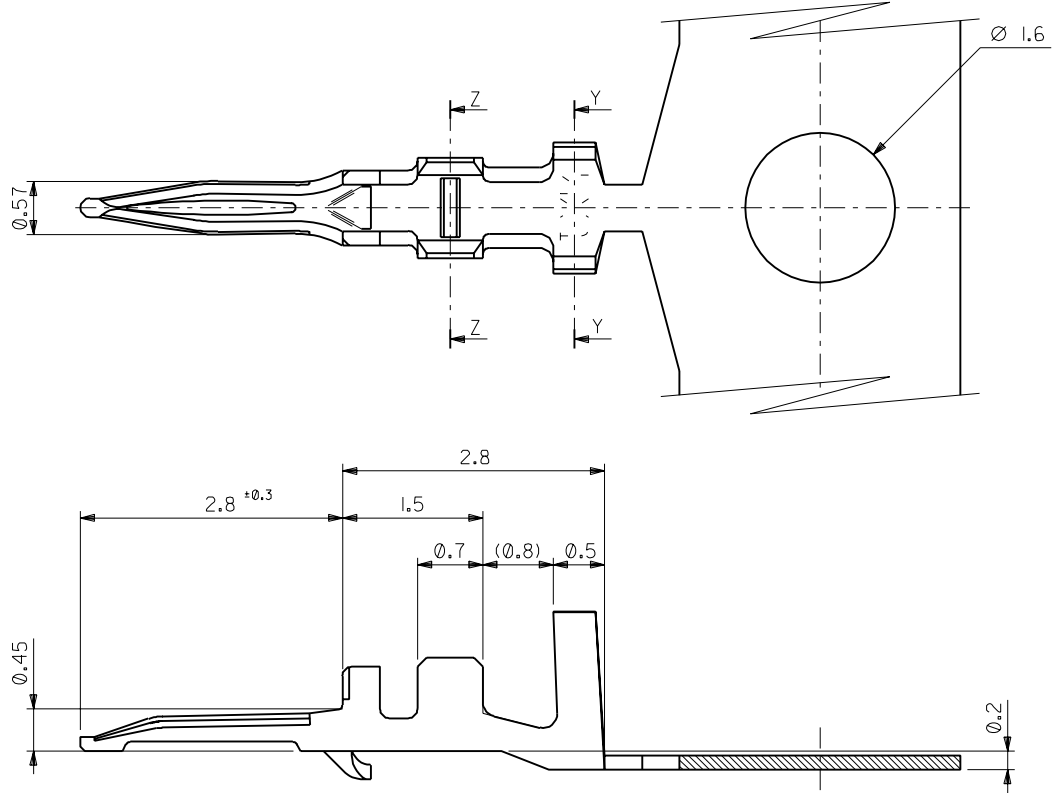
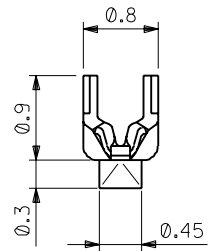
Description	Product #
Extraction Tool	0011030043
Hand Crimp Tool for 1.25mm (.049") Pitch PicoBlade™ Crimp Terminals, 26-32 AWG	0638190300

Japan

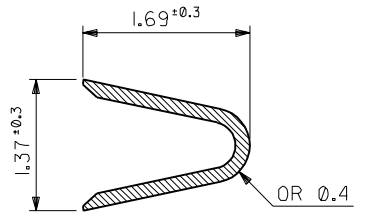
Description	Product #
Extraction Tool	0570726000
Hand Crimp Tool	0570705000

This document was generated on 04/15/2010

PLEASE CHECK WWW.MOLEX.COM FOR LATEST PART INFORMATION



SECT. Z-Z



SECT. Y-Y

注記
NOTES

1. 適合ハウジング: 51022 シリーズ
APPLICABLE HOUSING : 51022 SERIES
2. メッキ仕様 PLATING
錫 0.9μm MIN. リフロー処理 (前メッキ)
TIN 0.9μm MIN. REFLOW TREATMENT (PRE-PLATED)

角度 ANGLE	公差
30° 以上 OVER	+0.3
10° 以上 30° 未満 OVER UNDER	+0.25
10° 未満 UNDER	+0.2

記号 LTR	変更内容 REVISION RECORD	DR. CHK.	日付 DATE
E	変更 REVISD (J30697)	H.H. M.F.	93/7/10
D	変更 & 再作図 REVISD & REDRAWN (J20810)	H.H. M.F.	92/10/27

材料 MATERIAL	リン青銅 PHOSPHOR BRONZE (t=0.15)
仕上げ FINISH	—H—
適用電線範囲 WIRE RANGE	AWG #28-32
被覆外径 INS. RANGE	φ 0.5-1.0
DRAWN BY	H.HIRAMOTO
CHK'D BY	H.HIRAMOTO
APP'D BY	M.FUKUSHIMA
尺度 SCALE	20 - 1

50061-8100	バラ状 LOOSE
50061-8000	連鎖状 CHAIN
ENG. NO.	端子形状 FORM

MOLEX-JAPAN CO.,LTD. 日本モレックス株式会社	
REVISE ONLY ON CAD SYSTEM	
TITLE 名称	
1.25 BOARD IN CRIMP TERMINAL	
DWG. NO.	REV
SD-50061-8*00	E