

PLEASE CHECK WWW.MOLEX.COM FOR LATEST PART INFORMATION

Part Number: [1300600001](#)
Status: **Active**
Overview: [minichange_products](#)
Description: Mini-Change® MPIS, 3 Pole Female, 4 Ports, with 6 Pole Male Connector

Documents:

[Drawing \(PDF\)](#) [RoHS Certificate of Compliance \(PDF\)](#)

Agency Certification

CSA LR6837

General

Product Family Passive Distribution Boxes
 Series [130060](#)
 IP Rating IP67
 NEMA Rating NEMA 6
 Overview [minichange_products](#)
 Product Name Mini-Change®

Physical

Bus I/O Mini-Change®
 Cable Connector Orientation Straight
 Cable Length N/A
 Home Run Cable Length N/A
 Home Run Connector Mini-Change® - 6 pole
 Home Run Interface N/A
 Keyway Single
 LED Indicator No
 Material - Cable Jacket N/A
 Material - Housing PBT
 Material - Metal Copper Alloy
 Material - Plating Mating Gold over Nickel
 Orientation Side Mount
 Poles 3
 Poles (wired) 3
 Ports 4
 Temperature Range - Operating -25°C to +90°C
 Wiring Configuration Single I/O per Port

Electrical

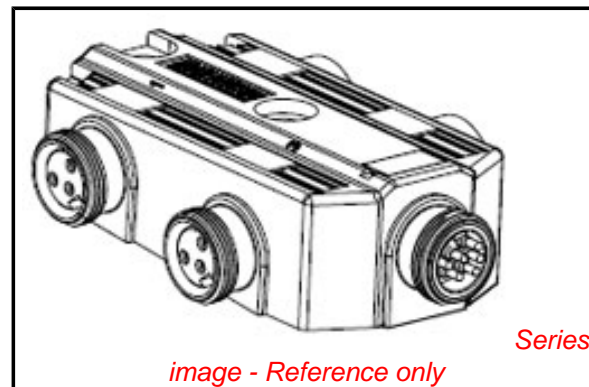
Current - Maximum per Contact 7A
 Functional Wiring Parallel
 Voltage - Maximum 600V AC/DC

Material Info

Old Part Number 409P401

Reference - Drawing Numbers

Sales Drawing SD-130060-003



EU RoHS

Not RoHS Compliant
REACH SVHC
Not Reviewed
Halogen-Free
Status
Not Reviewed

China RoHS



Need more information on product environmental compliance?

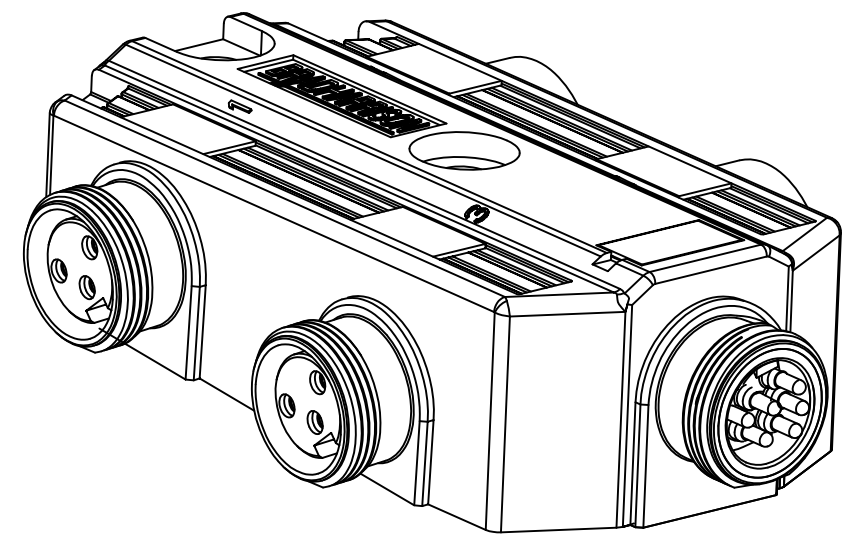
Email productcompliance@molex.com
 For a multiple part number RoHS Certificate of Compliance, [click here](#)

Please visit the [Contact Us](#) section for any non-product compliance questions.

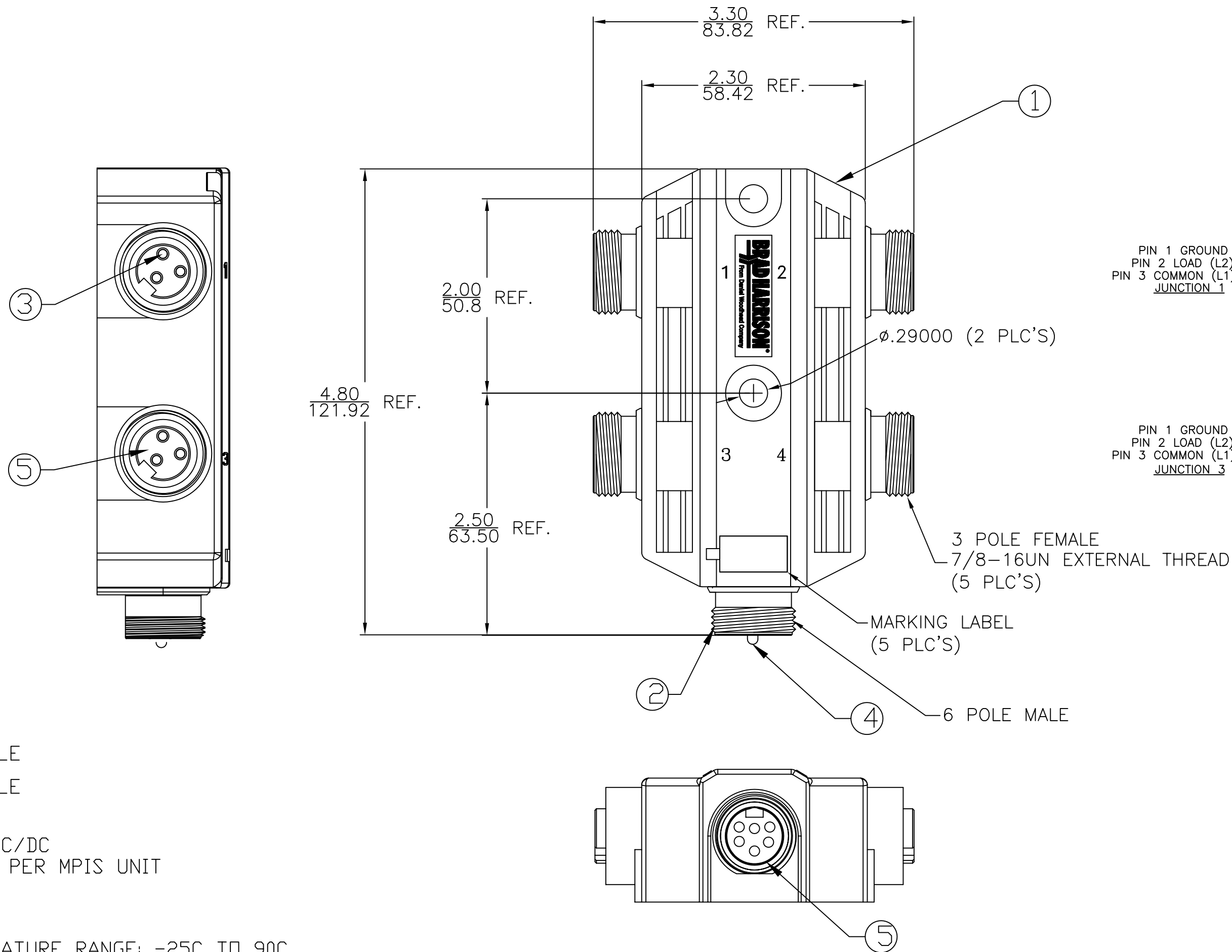
Search Parts in this Series

130060Series

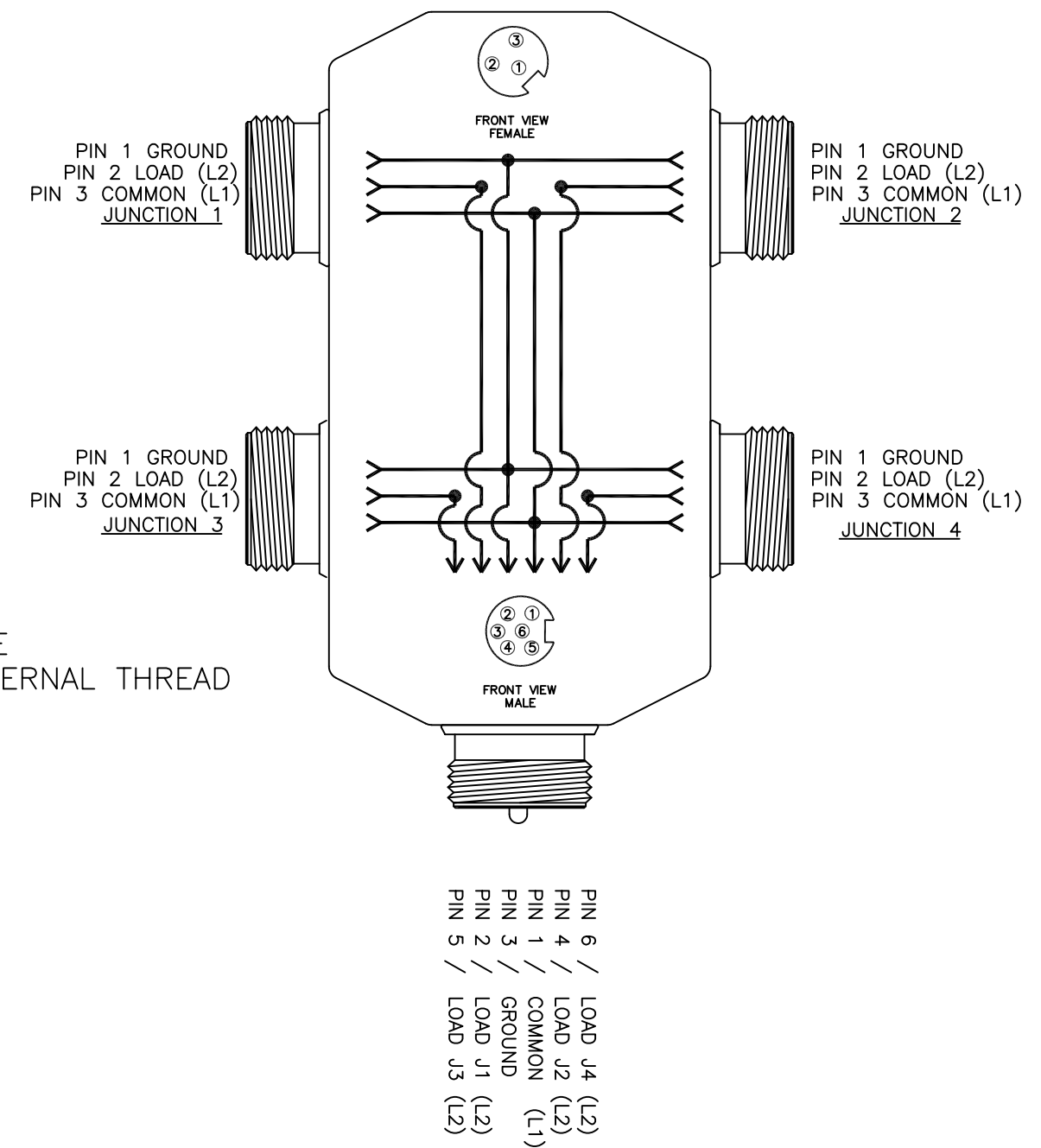
13	12	11	10	9	8	7	6	5	4	3	2	1
MATERIAL NUMBER	ENGINEERING NUMBER											
1300600001	409P401											



DIMENSIONAL



SCHEMATIC



NOTES:

- 1) MATERIAL: SEE TABLE
- 2) FINISHES: SEE TABLE
- 3) ELECTRICAL DATA:
VOLTAGE: 600V AC/DC
AMPERAGE: 7AMPS PER MPIS UNIT
- 4) ENVIRONMENTAL:
PROTECTION IP67
OPERATING TEMPERATURE RANGE: -25C TO 90C
- 5) LABEL IS MARKED WITH P/N, DATE CODE, AND SCHEMATIC
- 6) CERTIFICATION:
UL: UL RECOGNIZED
CSA: CSA CERTIFIED

ITEM	QTY.	DESCRIPTION	MATERIAL	FINISH
5	5	INSERT	PVC	YELLOW
4	6	PIN CONTACT	COPPER ALLOY	GOLD PLATED
3	12	SOCKET CONTACT	COPPER ALLOY	GOLD PLATED
2	5	RECEPTACLE SHELL	E-COATED ZINC ALLOY	BLACK
1	1	HOUSING	PBT	YELLOW

RELEASE EC NO: WNA2010-0456 DRWN: TWOLDEGE 2010/01/22 CH'KD: BWOODMAN APPR: JFMURPHY 2010/01/29	DESCRIPTION A	REV	QUALITY SYMBOL ▽=0 ▽=0	GENERAL TOLERANCES (UNLESS SPECIFIED)		DIMENSION STYLE		SCALE	DESIGN UNITS	THIRD ANGLE PROJECTION	
						----		1:1	INCH		
						DRAWN BY DATE		TITLE			
						CHECKED BY DATE		4PORT SIDE MOUNT MPIS 4PORT 3-POLE FEMALE W/ 6P MALE HOME RUN CONN.			
		APPROVED BY DATE		JFMURPHY 2010/01/29		MOLEX		MOLEX INCORPORATED			
		MATERIAL NO.		SEE CHART		DOCUMENT NO.		SD-130060-003		SHEET NO. 1 OF 1	
		DRAFT WHERE APPLICABLE MUST REMAIN WITHIN DIMENSIONS		SIZE C		THIS DRAWING CONTAINS INFORMATION THAT IS PROPRIETARY TO MOLEX INCORPORATED AND SHOULD NOT BE USED WITHOUT WRITTEN PERMISSION					