

PLEASE CHECK WWW.MOLEX.COM FOR LATEST PART INFORMATION

Part Number: [0500978000](#)
Status: **Active**
Description: 2.50mm (.098") Pitch Board-In Crimp Terminal, Male, 50097 Series, 20-24 AWG, Reel, for 51035 Housing

Documents:

[Drawing \(PDF\)](#) [Product Specification PS-51035-002 \(PDF\)](#)
[Product Specification PS-51035-001 \(PDF\)](#) [RoHS Certificate of Compliance \(PDF\)](#)

General

Product Family	Crimp Terminals
Series	50097
Crimp Quality Equipment	Yes
Product Name	Board-In

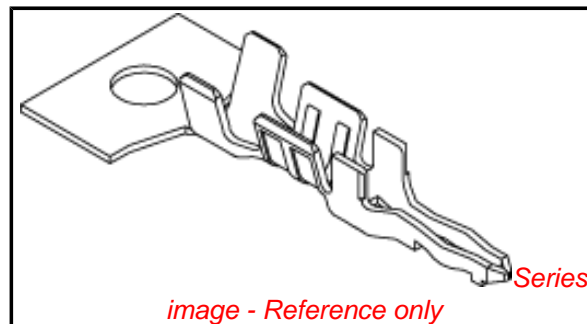
Physical

Gender	Male
Material - Metal	Phosphor Bronze
Material - Plating Mating	Tin
Material - Plating Termination	Tin
Packaging Type	Reel
Termination Interface: Style	Crimp or Compression
Wire Insulation Diameter	1.30-2.10mm (.051-.083")
Wire Size AWG	20, 22, 24
Wire Size mm ²	N/A

Material Info

Reference - Drawing Numbers

Product Specification	PS-51035-001, PS-51035-002, RPS-51035-001
Sales Drawing	SD-50097-8*00



EU RoHS

**ELV and RoHS
Compliant**
**REACH SVHC
Contains SVHC: No**
**Halogen-Free
Status**
Halogen-Free

China RoHS



**Need more information on product
environmental compliance?**

Email productcompliance@molex.com
 For a multiple part number RoHS Certificate of Compliance, [click here](#)

Please visit the [Contact Us](#) section for any non-product compliance questions.

Search Parts in this Series

[50097Series](#)

Use With

[51035](#)

Application Tooling | FAQ

Tooling specifications and manuals are found by selecting the products below. Crimp Height Specifications are then contained in the Application Tooling Specification document.

Global

Description	Product #
T2 Terminator Die	0638512000
FineAdjust™ Applicator	0638612000

Japan

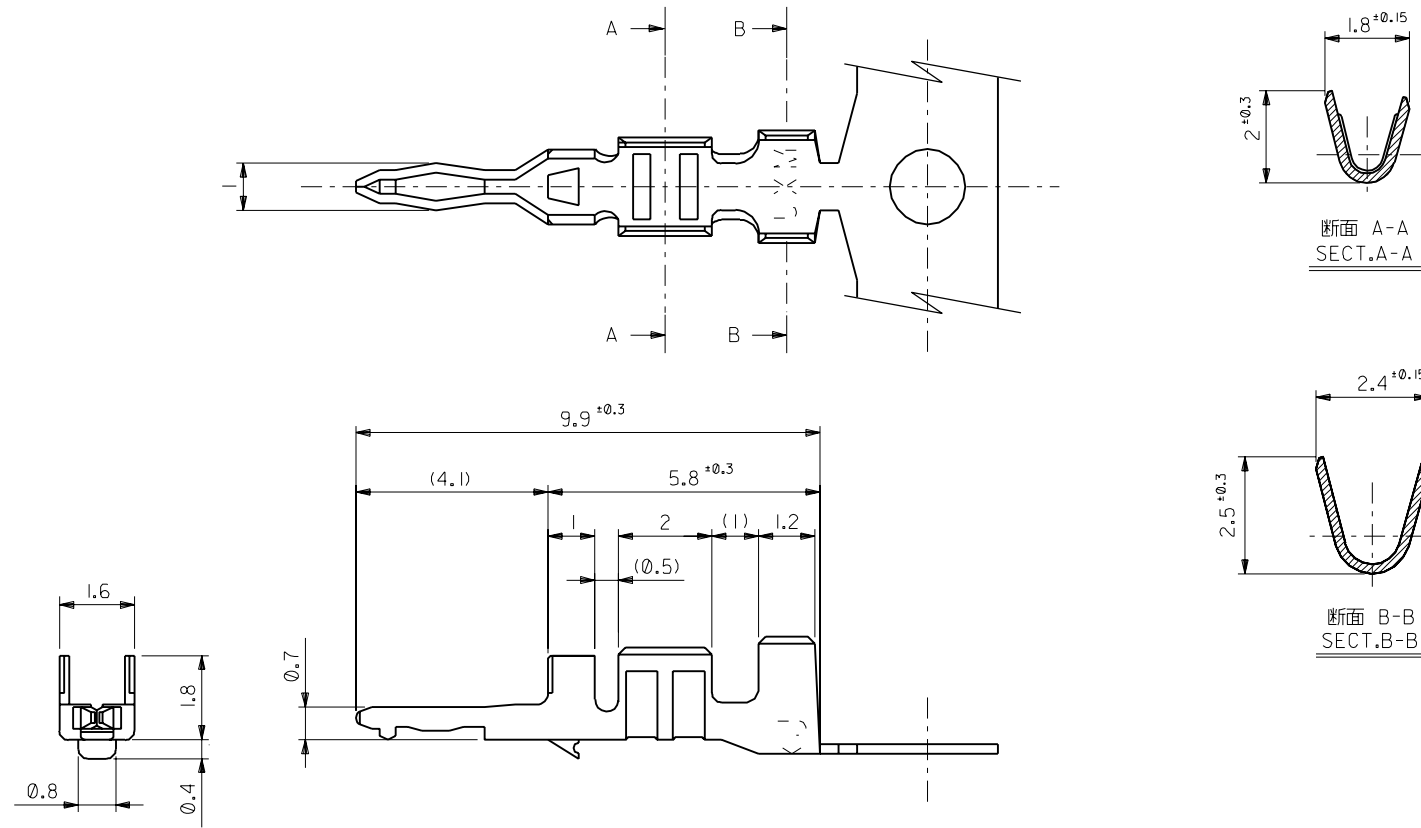
Description	Product #
Applicator for M211A Bench Press, 20-24 AWG, for 50097 Crimp Terminal	0571073000

This document was generated on 04/15/2010

PLEASE CHECK WWW.MOLEX.COM FOR LATEST PART INFORMATION

DWG. NO.
SD-50097-8*00

MM DIMENSIONS IN METRIC DO NOT SCALE DRAWING



注記
NOTE

- 適合ハウジング: 51035-**00
APPLICABLE HOUSING: 51035-**00

50097-8100	バラ状
50097-8000	連鎖状
ENG.NO.	形状

角度 ANGLE	$\pm 3^\circ$	材料 MATERIAL	リン青銅 (錫メッキ)
30以上 OVER	± 0.3	PHOSPHOR BRONZE	$t=0.203$
10以上 30未満 UNDER	± 0.25	PRE-TINNED PLATE	
10未満 UNDER	± 0.2	仕上げ FINISH	//
一般公差 GENERAL TOLERANCES		適用電線範囲 WIRE RANGE	AWG #24~20 KV $0.2 \sim 0.5$ AVS $0.3 \sim 0.5$
記号 LTR	C	被覆外径 INS. RANGE	$\phi 1.3 \sim 2.1$
変更内容 REVISION RECORD	REDRAWN	DRAWN BY	%/06/28 K.KITA
DR. CHK.	M.S	CHK'D BY	%/06/28 M.SAKANO
日付 DATE	%/06/28	APP'D BY	%/06/28 M.ENOMOTO
尺度 SCALE	10:1	尺度 SCALE	10:1

molex MOLEX-JAPAN CO.,LTD.
日本モレックス株式会社

REVISE ONLY ON CAD SYSTEM

TITLE 名称
BOARD IN CONNECTOR
CRIMP PIN

DWG. NO. SD-50097-8*00

REV C