

**PLEASE CHECK WWW.MOLEX.COM FOR LATEST PART INFORMATION**

**Part Number:** [0737690300](#)  
**Status:** **Active**  
**Overview:** [hdm](#)  
**Description:** 2.00mm (.079") Pitch HDM® Board-to-Board Stacking Header, High Rise Vertical, Press-Fit, Open End Option, 72 Circuits

**Documents:**

[3D Model](#) [Product Specification PS-73780-999 \(PDF\)](#)  
[Drawing \(PDF\)](#) [RoHS Certificate of Compliance \(PDF\)](#)

**Agency Certification**

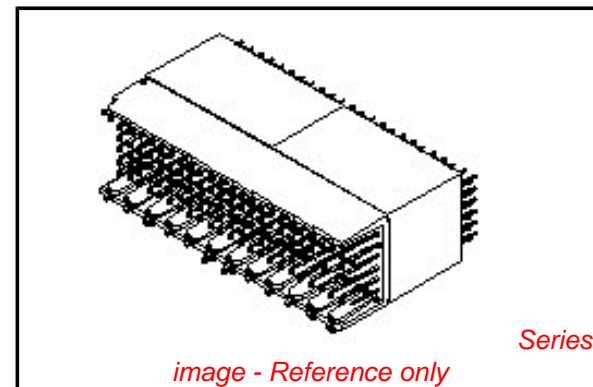
CSA LR19980  
 UL E29179

**General**

Product Family Backplane Connectors  
 Series [73769](#)  
 Application Backplane, Mezzanine  
 Component Type PCB Header  
 Overview [hdm](#)  
 Product Name HDM®  
 Style N/A

**Physical**

Circuits (Loaded) 72  
 Circuits (maximum) 72  
 Color - Resin Black  
 Durability (mating cycles max) 200  
 First Mate / Last Break No  
 Flammability 94V-0  
 Guide to Mating Part No  
 Keying to Mating Part None  
 Material - Metal Phosphor Bronze  
 Material - Plating Mating Gold  
 Material - Plating Termination Tin-Lead  
 Material - Resin High Temperature Thermoplastic  
 Number of Columns 12  
 Number of Pairs Open Pin Field  
 Number of Rows 6  
 Orientation Vertical  
 PC Tail Length (in) 0.138 In  
 PC Tail Length (mm) 3.50 mm  
 PCB Retention None  
 PCB Thickness Recommended (in) 0.055 In  
 PCB Thickness Recommended (mm) 1.40 mm  
 Packaging Type Tube  
 Pitch - Mating Interface (in) 0.079 In  
 Pitch - Mating Interface (mm) 2.00 mm  
 Plating min: Mating (µin) 30  
 Plating min: Mating (µm) 0.75  
 Plating min: Termination (µin) 15  
 Plating min: Termination (µm) 0.375  
 Polarized to PCB No  
 Stackable Yes  
 Surface Mount Compatible (SMC) Yes  
 Temperature Range - Operating -55°C to +105°C



**EU RoHS**

**RoHS Compliant by Exemption**

**REACH SVHC**

**Contains SVHC: No**

**Halogen-Free**

**Status**

**Not Reviewed**

**China RoHS**



Pb

**Need more information on product environmental compliance?**

Email [productcompliance@molex.com](mailto:productcompliance@molex.com)  
 For a multiple part number RoHS Certificate of Compliance, [click here](#)

Please visit the [Contact Us](#) section for any non-product compliance questions.

**Search Parts in this Series**

[73769Series](#)

**Mates With**

[73632 HDM PLUS® Board-to-Board Daughtercard Receptacle](#). [73780 HDM® Board-to-Board Daughtercard Receptacle](#)

**Application Tooling | FAQ**

*Tooling specifications and manuals are found by selecting the products below. Crimp Height Specifications are then contained in the Application Tooling Specification document.*

**Global**

| Description                           | Product #                  |
|---------------------------------------|----------------------------|
| Flat Rock Tooling for Pneumatic Press | <a href="#">0622013700</a> |

Termination Interface: Style

Through Hole - Compliant Pin

**Electrical**

Current - Maximum per Contact

1A

Data Rate

1.0 Gbps

Real Signals (per 25mm)

72

Voltage - Maximum

100V AC

**Material Info**

**Reference - Drawing Numbers**

Packaging Specification

PK-70873-0871

Product Specification

PS-73780-999

HDM and High Density Metric are trademarks of Amphenol Corporation

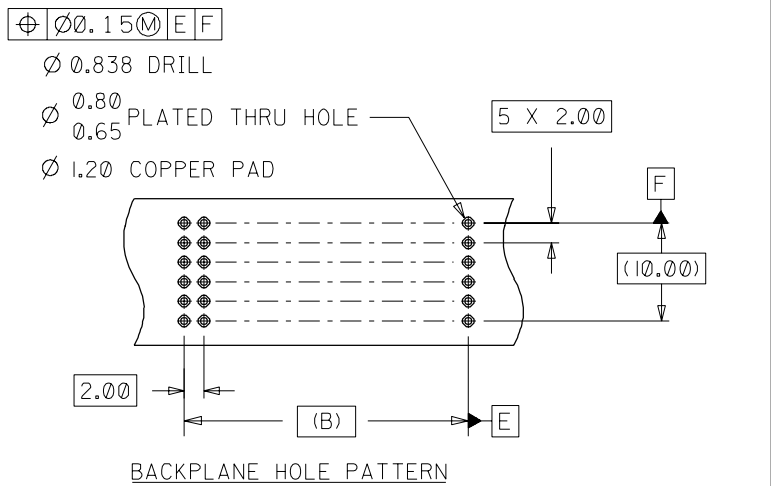
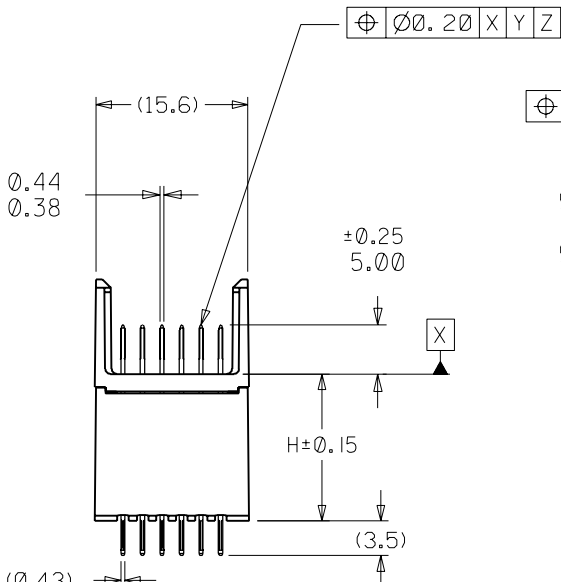
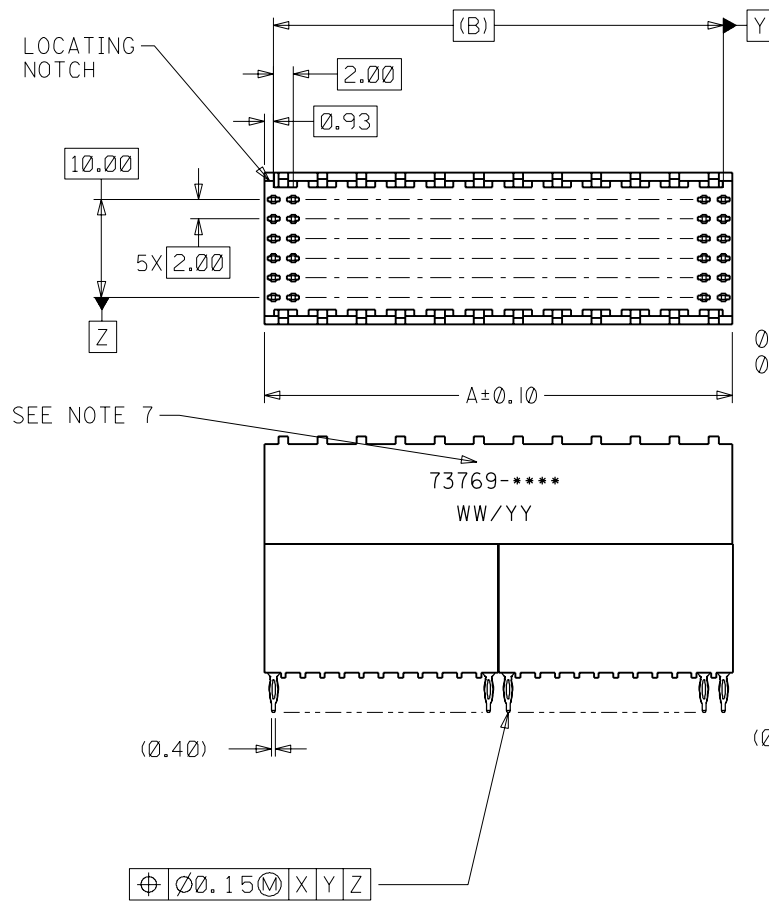
This document was generated on 05/14/2010

**PLEASE CHECK [WWW.MOLEX.COM](http://WWW.MOLEX.COM) FOR LATEST PART INFORMATION**

NOTES:

1. MATERIALS: HOUSING-LIQUID CRYSTAL POLYMER (LCP), GLASS-FILLED, UL94V-0, COLOR: BLACK. TERMINAL-PHOSPHOR BRONZE
2. FINISH: SELECTIVE GOLD (Au) IN CONTACT AREA, 0.00076mm MINIMUM THICKNESS; SELECTIVE TIN/LEAD (Sn/Pb) ON TAILS, NICKEL (Ni) OVERALL.
3. THIS PART CONFORMS TO MOLEX PRODUCT SPECIFICATION PS-73780-999.
4. DIMENSIONS ARE IN MILLIMETERS.
5. RECOMMENDED PCB THICKNESS: 2.50 MINIMUM.
6. PACKAGE PER PK-70873-0870, PK-70873-0871, OR PK-70873-0875.
7. PARTS MARKED WITH PART NUMBER AND DATE CODE APPROXIMATELY WHERE SHOWN.

| ASSEMBLY P/N | TOTAL NUMBER OF SIGNAL CONTACTS | DIM "A" | DIM "B" | DIM "H" |
|--------------|---------------------------------|---------|---------|---------|
| 73769-0100   | 72                              | 23.84   | 22.00   | 15.05   |
| 73769-0200   | 72                              | 23.84   | 22.00   | 6.05    |
| 73769-0300   | 72                              | 23.84   | 22.00   | 10.05   |
| 73769-1100   | 144                             | 47.84   | 46.00   | 15.05   |
| 73769-1200   | 144                             | 47.84   | 46.00   | 6.05    |
| 73769-1300   | 144                             | 47.84   | 46.00   | 10.05   |



|  |  |   |  |   |  |   |                     |     |     |
|--|--|---|--|---|--|---|---------------------|-----|-----|
| REVISED<br>EC NO. UDT2000-1073<br>DRWN: BINGHAM 00/05/08<br>CHK: REED 00/05/08<br>APPR: BIXLER 00/05/08<br>F | DESCRIPTION<br>MAJOR = 0<br>CRITICAL C = 0 | GENERAL TOLERANCES:<br>(UNLESS SPECIFIED) |  | SCALE<br>2:1  | DESIGN UNITS<br><input checked="" type="checkbox"/> mm <input type="checkbox"/> INCH | DIMENSIONS:<br><input type="checkbox"/> mm <input type="checkbox"/> INCH <input checked="" type="checkbox"/> mm ONLY              |                     | SHT | REV |
|  |  | 4 PLACES ± 0.     ±.                      | DRAWN BY & DATE<br>JBINGHAM 97/03/07   | TITLE:<br>SALES ASSEMBLY<br>HDM BACKPLANE STACKING MODULE<br>OPEN END OPTION PRESSFIT |  | REVISION ON<br>CAD ONLY   |                     |     |     |
|  |  | 3 PLACES ± 0.     ±.                      | CHECKED BY & DATE<br>SREED 97/03/07    | MOLEX INCORPORATED  |  |   |                     |     |     |
|  |  | 2 PLACES ± 0.05     ±.                    | APPROVED BY & DATE<br>CBIXLER 97/03/07 | CAD FILENAME<br>S73769X1.DGN  | MATERIAL NO.<br>SEE CHART  | DRAWING NO.<br>SD-73769-001   | SHEET NO.<br>1 OF 1 |     |     |
|  |  | 1 PLACE ± 0.10     ±.                     | ANGLAR: ± 1/2°                         | DRAFT WHERE APPLICABLE MUST<br>REMAIN WITHIN DIMENSIONS                               |  | THIS DRAWING CONTAINS INFORMATION THAT IS PROPRIETARY TO MOLEX<br>INCORPORATED AND SHOULD NOT BE USED WITHOUT WRITTEN PERMISSION. |                     |     |     |
|  |  |   |  |   |  |   |                     |     |     |