

PLEASE CHECK WWW.MOLEX.COM FOR LATEST PART INFORMATION

Part Number: [0082285813](#)
Status: **Active**
Description: 2.54mm (.100") Pitch Round Conductor Flat Cable - 28 AWG (7 x 36) Stranded, Tinned, 13 Circuits, Reel 30.48m (100.0') Length

Documents:

[Drawing \(PDF\)](#) [RoHS Certificate of Compliance \(PDF\)](#)

Agency Certification

CSA LR61126
 UL E61522

General

Product Family Cable
 Series [7307](#)
 Crimp Quality Equipment Yes
 Geographic Area Asia
 Product Name Ribbon

Physical

Cable Length 30.48m (100.0')
 Circuits (Loaded) 13
 Insulation PVC
 Packaging Type Reel
 Pitch - Term. Interface (in) 0.100 In
 Pitch - Term. Interface (mm) 2.54 mm
 Temperature Range - Operating -20°C to +105°C
 Wire Size AWG 28
 Wire/Cable Type (7x36) Stranded, Tinned

Electrical

Current - Maximum per Contact N/A
 Voltage - Maximum 300V

Material Info

Old Part Number 7307-13-100B

Reference - Drawing Numbers

Sales Drawing SD-7307-001



EU RoHS

**ELV and RoHS
 Compliant
 REACH SVHC
 Not Reviewed
 Halogen-Free
 Status
 Not Reviewed**

China RoHS



Need more information on product environmental compliance?

Email productcompliance@molex.com
 For a multiple part number RoHS Certificate of Compliance, [click here](#)

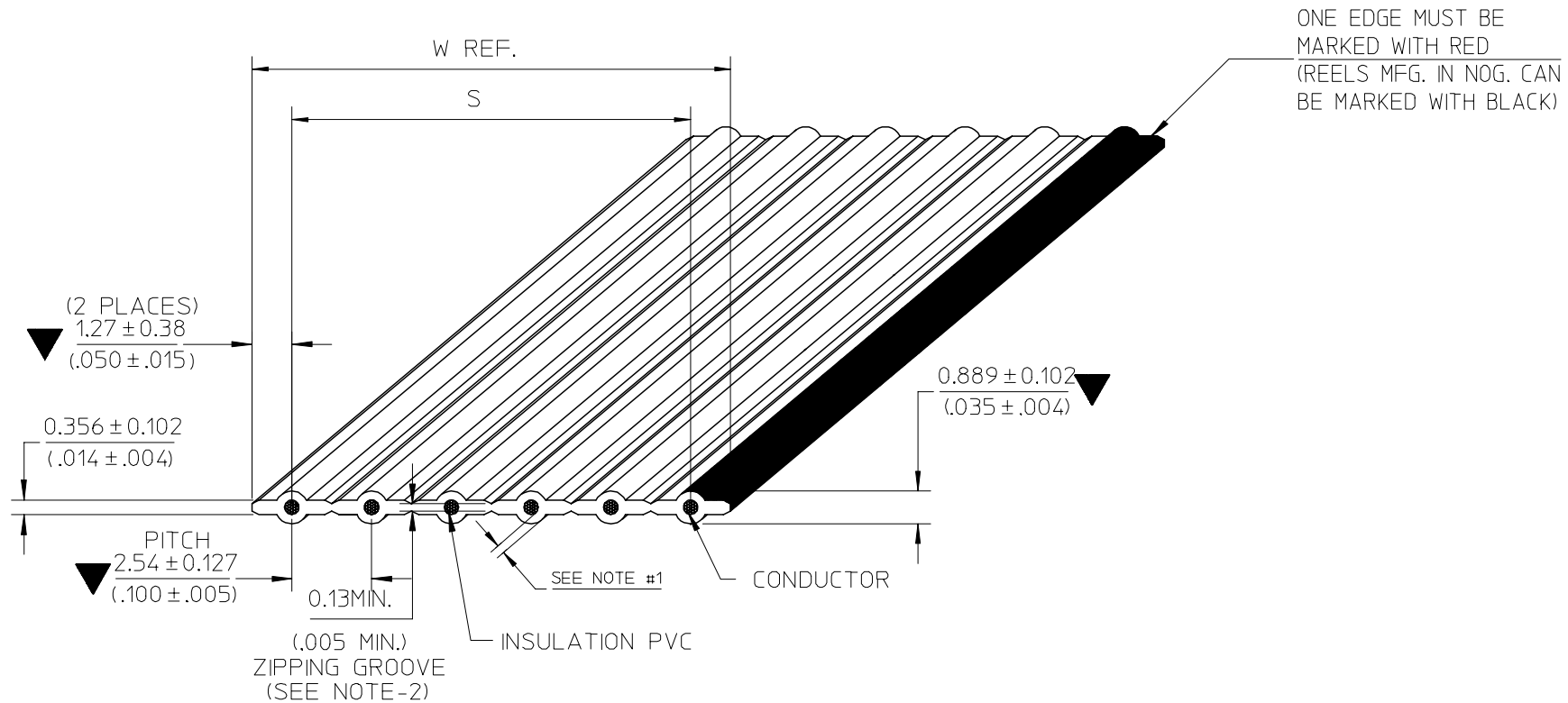
Please visit the [Contact Us](#) section for any non-product compliance questions.

Search Parts in this Series

[7307Series](#)

Use With

[70400](#) C-Grid SL™ IDT Connector Assembly. [70475](#) SL™ IDT Connector Assembly. [7720](#) KK® IDT Double Cantilever Contact



- NOTE :
1. THE CABLE SHALL HAVE A MINIMUM OF 0.178mm. (.007") THICKNESS INSULATION AT ANY POINT
 2. RIP TEST:
 - THE 0.13mm. (.005") ZIPPING GROOVE SHALL BE CAPABLE OF BEING RIPPED BY HAND WITHIN THE RECESS, WITHOUT EXPOSING THE ADJACENT CONDUCTORS
 3. RoHS AND LEAD FREE COMPLIANT
 4. SPECIAL REQUIREMENT: N/A

| | | | |
|--------------|-----------|--|----------|
| B | E-07-0748 | B ₄ : ADD NON-OPERATING TEMP. | 07/11/23 |
| A | N/A | NEW RELEASE. | 06/07/18 |
| REV. HISTORY | EC NO. | DETAIL | DATE |

SEE CHANGE DETAIL.
 EC NO: THL2008-0015
 DRWN: CPANSAKHOM 2007/11/28
 CHKD: DNARINTARA 2007/11/29
 APPR: SVIRATJAPOL 2007/12/04

| |
|-----------------|
| QUALITY SYMBOLS |
| ▼=3 |
| ▽=0 |
| DESCRIPTION |
| REV |

| | |
|--|-------------|
| GENERAL TOLERANCES (UNLESS SPECIFIED) | |
| | mm INCH |
| 4 PLACES | ± --- ± --- |
| 3 PLACES | ± --- ± --- |
| 2 PLACES | ± --- ± --- |
| 1 PLACE | ± --- ± --- |
| ANGULAR ± --- ° | |
| DRAFT WHERE APPLICABLE MUST REMAIN WITHIN DIMENSIONS | |

| | |
|-----------------------|------------|
| DIMENSION STYLE MM/IN | |
| DRAWN BY | DATE |
| CPANSAKHOM | 2006/07/18 |
| CHECKED BY | DATE |
| PMEECHAI | 2006/07/18 |
| APPROVED BY | DATE |
| SVIRATJAPOL | 2006/07/18 |
| MATERIAL NO. | |
| SEE CHART | |
| SIZE | |
| A 4 | |

| | | |
|---|-------------------|------------------------|
| SCALE NTS | DESIGN UNITS INCH | THIRD ANGLE PROJECTION |
| TITLE | | |
| FCB ROUND CONDUCTOR 2.54MM(.100)CENTER PVC. 28AWG STRANDED TINNED | | |
| MOLEX INCORPORATED | | |
| MATERIAL NO. | DOCUMENT NO. | SHEET NO. |
| SEE CHART | SD-7307-001 | 1 OF 3 |
| THIS DRAWING CONTAINS INFORMATION THAT IS PROPRIETARY TO MOLEX INCORPORATED AND SHOULD NOT BE USED WITHOUT WRITTEN PERMISSION | | |

E

E

SPECIFICATIONS

PHYSICAL

CONDUCTOR SPACING ----- 2.54 (.100") C TO C
 WIRE GAUGE ----- 28 AWG(7/36) STRANDED TINNED
 INSULATION ----- P.V.C GRAY (LEAD FREE)

AGENCY

U.L. STYLE NO. ----- 2651
 TEMPERATURE RATING ----- -20°C TO 105°C
 VOLTAGE RATING ----- 300V.MAX.
 FLAMMABILITY RATING ----- VW-1

ELECTRICAL

CONDUCTOR RESISTANCE (D.C.) ----- 68 m OHMS/FT. MAX.
 CHARACTERISTIC IMPEDANCE ----- 150 OHMS NOM. (GS)
 ----- 128 OHMS NOM. (GSG)
 CAPACITANCE ----- 5.0 pF/FT. NOM. (GS)
 ----- 9.12 pF/FT. NOM. (GSG)
 PROPAGATION DELAY ----- 1.4 ns/FT. NOM.
 INSULATION RESISTANCE ----- 10 M OHMS (10FT. SAMPLE)
 DIELECTRIC WITHSTAND VOLTAGE ----- 2000 VRMS/MINUTE

GENERAL

Δ NON-OPERATING TEMPERATURE ----- -20°C TO 105°C
 FAULTS AND/OR SPLICES ----- 1/REEL MAX. 100 $^{+3}$ ₀ FT. (30.48 $^{+0.914}$ ₀ M.)/REEL
 ----- 20FT. (6.096M.) MIN. LENGTH

D

D

C

C

B

B

A

A

| | | | | | | | | | | | | | |
|---|--------------------|--|------------|---|-------------|-----------------|--------------|-------------|---|------------------------|--|--|--|
| SEE CHANGE DETAIL. EC NO: THL2008-0015 DRWN: CPANSAKHOM 2007/11/28 CHKD: DNARINTARA 2007/11/29 APPR: SVIRATJAPOL 2007/12/04 | DESCRIPTION REV | QUALITY SYMBOLS | | GENERAL TOLERANCES (UNLESS SPECIFIED) | | DIMENSION STYLE | | SCALE | DESIGN UNITS | THIRD ANGLE PROJECTION | | | |
| | | | | | | MM/IN | | NTS | INCH | | | | |
| | | \blacktriangledown = \triangleleft = | | mm | INCH | DRAWN BY | DATE | TITLE | | | | | |
| | | | | 4 PLACES | \pm ---- | \pm ---- | CPANSAKHOM | 2006/07/18 | FCB ROUND CONDUCTOR 2.54MM(.100)CENTER PVC. 28AWG STRANDED TINNED | | | | |
| | | | | 3 PLACES | \pm ---- | \pm ---- | CHECKED BY | DATE | MOLEX INCORPORATED | | | | |
| | | 2 PLACES | \pm ---- | \pm ---- | PMEECHAI | 2006/07/18 | | | | | | | |
| | | 1 PLACE | \pm ---- | \pm ---- | APPROVED BY | DATE | | | | | | | |
| | | ANGULAR \pm ---- | | SVIRATJAPOL | | 2006/07/18 | DOCUMENT NO. | | SHEET NO. | | | | |
| | | DRAFT WHERE APPLICABLE MUST REMAIN WITHIN DIMENSIONS | | | | MATERIAL NO. | | SD-7307-001 | | 2 OF 3 | | | |
| | | SIZE | | THIS DRAWING CONTAINS INFORMATION THAT IS PROPRIETARY TO MOLEX INCORPORATED AND SHOULD NOT BE USED WITHOUT WRITTEN PERMISSION | | | | | | | | | |

E

E

| CHART A DIMENSIONS MM. (INCHES) | | | | | SHIPPED ON 100 FT. REELS | |
|------------------------------------|----------------|----------------|--------------|-----------------|-----------------------------|--------------|
| ENG. NO. | NO.OF COND. | DIMENSION S | | DIM. W (REF) | ENGINEERING NO. | ORDER NO. |
| 7307-02 | 2 | 2.54±0.127 | (.100±.005) | 5.08 (.200) | 7307-02-100B | 82-28-5802 |
| 7307-03 | 3 | 5.08±0.20 | (.200±.008) | 7.62 (.300) | ▲ -03- ▲ | ▲ 03 |
| 7307-04 | 4 | 7.62±0.30 | (.300±.012) | 10.16 (.400) | ▲ -04- ▲ | ▲ 04 |
| 7307-05 | 5 | 10.16±0.33 | (.400±.013) | 12.70 (.500) | ▲ -05- ▲ | ▲ 05 |
| 7307-06 | 6 | 12.70±0.33 | (.500±.013) | 15.24 (.600) | ▲ -06- ▲ | ▲ 06 |
| 7307-07 | 7 | 15.24±0.33 | (.600±.013) | 17.78 (.700) | ▲ -07- ▲ | ▲ 07 |
| 7307-08 | 8 | 17.78±0.33 | (.700±.013) | 20.32 (.800) | ▲ -08- ▲ | ▲ 08 |
| 7307-09 | 9 | 20.32±0.33 | (.800±.013) | 22.86 (.900) | ▲ -09- ▲ | ▲ 09 |
| 7307-10 | 10 | 22.86±0.33 | (.900±.013) | 25.40 (1.000) | ▲ -10- ▲ | ▲ 10 |
| 7307-11 | 11 | 25.40±0.33 | (1.000±.013) | 27.94 (1.100) | ▲ -11- ▲ | ▲ 11 |
| 7307-12 | 12 | 27.94±0.33 | (1.100±.013) | 30.48 (1.200) | ▲ -12- ▲ | ▲ 12 |
| 7307-13 | 13 | 30.48±0.33 | (1.200±.013) | 33.02 (1.300) | ▲ -13- ▲ | ▲ 13 |
| 7307-14 | 14 | 33.02±0.33 | (1.300±.013) | 35.56 (1.400) | ▲ -14- ▲ | ▲ 14 |
| 7307-15 | 15 | 35.56±0.33 | (1.400±.013) | 38.10 (1.500) | ▲ -15- ▲ | ▲ 15 |
| 7307-16 | 16 | 38.10±0.33 | (1.500±.013) | 40.64 (1.600) | ▲ -16- ▲ | ▲ 16 |
| 7307-17 | 17 | 40.64±0.33 | (1.600±.013) | 43.18 (1.700) | ▲ -17- ▲ | ▲ 17 |
| 7307-18 | 18 | 43.18±0.33 | (1.700±.013) | 45.72 (1.800) | ▲ -18- ▲ | ▲ 18 |
| 7307-19 | 19 | 45.72±0.33 | (1.800±.013) | 48.26 (1.900) | ▲ -19- ▲ | ▲ 19 |
| 7307-20 | 20 | 48.26±0.33 | (1.900±.013) | 50.80 (2.000) | ▼ -20- ▼ | ▼ 20 |

D

D

C

C

ENGINEERING NO.

7307-XX-XXXX

A B C D

A : CABLE 2.54mm. (.100") CENTERS 28 AWG STRANDED TINNED

B : CONDUCTOR SIZE (AVAILABILITY 2 THROUGH 20)

C : CABLE LENGTH 100FT. (30.48M.)

D : A= INCHES

B = FEET

B

B

A

A

| | | | | | | | |
|--|--------------------|---|---|---|---|--------------|------------------------|
| SEE CHANGE DETAIL. EC NO: THL2008-0015 DRWN:CPANSAKHOM 2007/11/28 CHKD:DNARINTARA 2007/11/29 APPR:SVIRATJAPOL 2007/12/04 | DESCRIPTION REV | QUALITY SYMBOLS | GENERAL TOLERANCES (UNLESS SPECIFIED) | DIMENSION STYLE | SCALE | DESIGN UNITS | THIRD ANGLE PROJECTION |
| | | ▼ = ▽ = | mm INCH | MM/IN | NTS | INCH | |
| | | 4 PLACES ± --- ± --- 3 PLACES ± --- ± --- 2 PLACES ± --- ± --- 1 PLACE ± --- ± --- | DRAWN BY DATE CPANSAKHOM 2006/07/18 CHECKED BY DATE PMEECHAI 2006/07/18 APPROVED BY DATE SVIRATJAPOL 2006/07/18 | TITLE | FCB ROUND CONDUCTOR 2.54MM(.100)CENTER PVC. 28AWG STRANDED TINNED | | |
| | | ANGULAR ± ---° | MATERIAL NO. | MOLEX INCORPORATED DOCUMENT NO. SHEET NO. | | | |
| | | DRAFT WHERE APPLICABLE MUST REMAIN WITHIN DIMENSIONS | SEE CHART | SD-7307-001 | 3 OF 3 | | |