



Model No.	OST25YD12GD-XXXX5F71B
REV.	C1

## T25-12LAMPS AUTO LED

### Descriptions:

- Green light source, fast response
- Long life, easy installation
- Voltages available 12VDC
- LED model number: XXXX5F71B

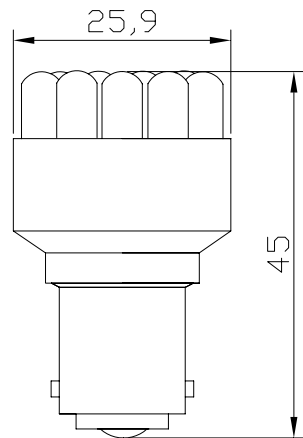
### Features:

- Available in yellow, red, white and more
- Low power consumption
- Energy saving
- No stroboflash, no radiation
- Long life

### Application:

- Turn Light
- Brake Light

### Product Picture and Dimensions:



Unit: mm



Model No.	OST25YD12GD-XXXX5F71B
REV.	C1

### Device Selection Guide

Module No.	Color	Wavelength (Typ.)	Intensity / Per LED (Typ.)	Totality Luminous Intensity (Typ.)
R5RU5F71B	Red	625 nm.	2500mcd	15.9lm
Y5RU5F71B	Yellow	590 nm	2500mcd	16.1lm
W5DK5F71B	White	X=0.27,Y=0.28	10000mcd	25.7lm

### Absolute Maximum Ratings(Ta=25 )

Items	Symbol	Values	Units
Operating Supply Range(DC)	V <sub>dc</sub>	2.4	V
Input Current (DC)	I <sub>i</sub>	150	mA
Power Dissipation	P <sub>a</sub>	2.4	W
Operating Temperature	T <sub>ope</sub>	-20 ~ +50	DegC
Storage Temperature	T <sub>stg</sub>	-20 ~ +80	DegC

### Typical Performance (Ta=25 )

Items	Symbol	Min.	Typ.	Max.	Units
LED Module Power	P <sub>m</sub>	-	0.84	2.4	w
Input Voltage(DC)	V <sub>i</sub>	-	12	16	V
Product Input Current	I <sub>f</sub>	-	70	150	mA
Beam Pattern	BP	-	70	-	Deg
Total Diameter of PCB	L <sub>mod.</sub>	-	45	-	mm
Net Weight	Wei.	---	10.5	-	g