

Model No.	OST25FD12GD-XXXX5F71B
REV.	C1

T25-12LAMPS AUTO LED

Descriptions:

- Green light source, fast response
- Long life, easy installation
- Voltages available 12VDC
- LED model number: XXXX5F71B

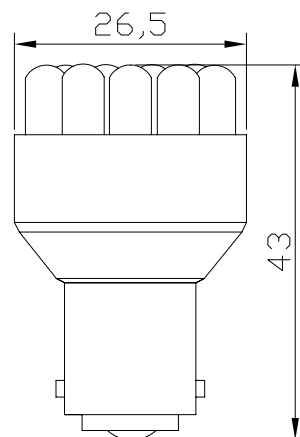
Features:

- Available in yellow, red, white and more
- Low power consumption
- Energy saving
- No stroboflash, no radiation
- Long life

Application:

- Turn Light
- Brake Light

Product Picture and Dimensions:



Unit: mm



Model No.	OST25FD12GD-XXXX5F71B
REV.	C1

Device Selection Guide

Module No.	Color	Wavelength (Typ.)	Intensity / Per LED (Typ.)	Totality Luminous Intensity (Typ.)
R5RU5F71B	Red	625 nm.	2500mcd	15.9lm
Y5RU5F71B	Yellow	590 nm	2500mcd	16.1lm
W5DK5F71B	White	X=0.27,Y=0.28	10000mcd	25.7lm

Absolute Maximum Ratings(Ta=25)

Items	Symbol	Values	Units
Operating Supply Range(DC)	V _{dc}	2.4	V
Input Current (DC)	I _i	150	mA
Power Dissipation	P _a	2.4	W
Operating Temperature	T _{ope}	-20 ~ +50	DegC
Storage Temperature	T _{stg}	-20 ~ +80	DegC

Typical Performance (Ta=25)

Items	Symbol	Min.	Typ.	Max.	Units
LED Module Power	P _m	-	0.84	2.4	w
Input Voltage(DC)	V _i	-	12	16	V
Product Input Current	I _f	-	70	150	mA
Beam Pattern	BP	-	70	-	Deg
Total Diameter of PCB	L _{mod.}	-	43	-	mm
Net Weight	Wei.	---	9.6	-	g