

| | |
|-----------|-----------------------|
| Model No. | OSF003106GD-XXXXS1C1A |
| REV. | C1 |

PRODUCT SPECIFICATION FOR **LED Light Module**

Descriptions:

- Low power consumption, high intensity
- Long life, easy installation
- Voltages available 12VDLED quantity: 6pcs 3528 SMD
- LED model number: OSXXXXS1C1A

Features:

- Available in red, orange, yellow, green, blue, white and more
- Directly use on line voltage
- Low power consumptions high intensity
- Energy saving
- Excellent beam control
- Long life

Application:

- Channel letter signs
- Indirect accent décor light
- Large area back lighting
- Under counter light
- Automobile Light
- Substitute neon light

Product Picture:





| | |
|-----------|-----------------------|
| Model No. | OSF003106GD-XXXXS1C1A |
| REV. | C1 |

Device Selection Guide

| Module No. | Color | Dom. Wavelength(Typ.) | Condition | Luminous Flux / Per LED(Typ.) |
|------------|------------|-----------------------|-----------|-------------------------------|
| R5PAS1C1A | Red | 625±5nm | IF=20mA | 1.5 lm |
| O5GAS1C1A | Orange | 605±5nm | IF=20mA | 1.5 lm |
| Y5PAS1C1A | Yellow | 590±5nm | IF=20mA | 1.5 lm |
| G5DAS1C1A | Green | 525±5nm | IF=20mA | 3.0 lm |
| B5SAS1C1A | Blue | 470±5nm | IF=20mA | 1.0 lm |
| W44LS1C1A | White | X=0.31 ; Y=0.33 | IF=20mA | 7.0 lm |
| M54LS1C1A | Warm White | X=0.45 ; Y=0.41 | IF=20mA | 6.0 lm |
| K5DLS1C1A | Pink | X=0.45 ; Y=0.17 | IF=20mA | 0.5 lm |

Absolute Maximum Ratings(Ta=25)

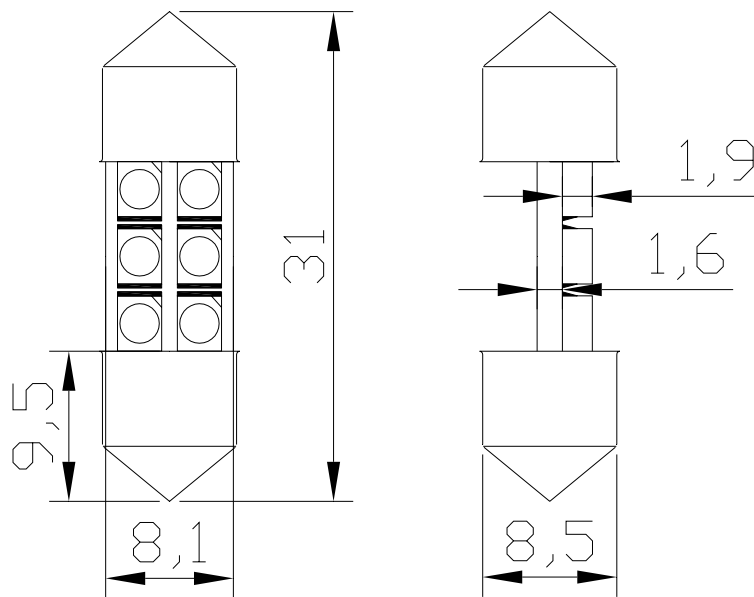
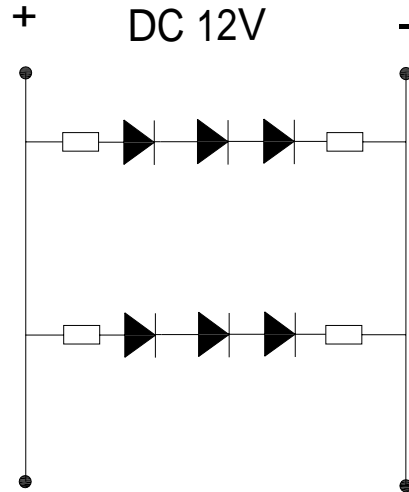
| Items | Symbol | Values | Units |
|------------------------------|------------------|-----------|-------|
| Operating Supply Range(DC) | V _{dc} | 14 | V |
| Input Current (DC) | I _i | 60 | mA |
| Power Dissipation | P _a | 0.84 | W |
| LED Light Source Temperature | T _{led} | 105 | DegC |
| Operating Temperature | T _{ope} | -20 ~ +75 | DegC |
| Storage Temperature | T _{sto} | -20 ~ +80 | DegC |

Typical Performance (Ta=25)

| Items | Symbol | Min. | Typ. | Max. | Units |
|-----------------------|----------------|------|--------|------|-------|
| LED Module Power | P _m | - | 0.48 | 0.84 | w |
| Input Voltage(DC) | V _i | - | 12 | 14 | V |
| Product Input Current | I _f | - | 40 | 60 | mA |
| Beam Pattern | BP | - | 120 | - | Deg |
| Modules Size | Size. | - | 31*8.5 | - | mm |
| Net Weight | Wei. | - | 2.1 | - | g |

| | |
|-----------|-----------------------|
| Model No. | OSF003106GD-XXXXS1C1A |
| REV. | C1 |

Product Dimensions:



Unit: mm
Tolerance: $\pm 0.30\text{mm}$