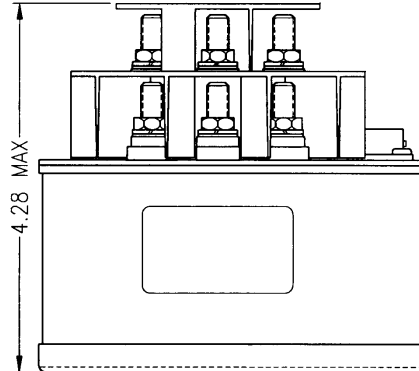
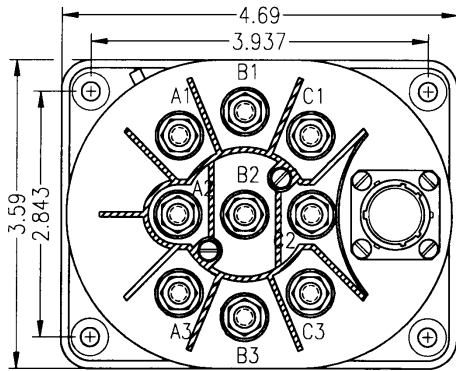


SA120B 3PDT, Side Stable, 60 Amps, 115/200 VAC, 400 Hz

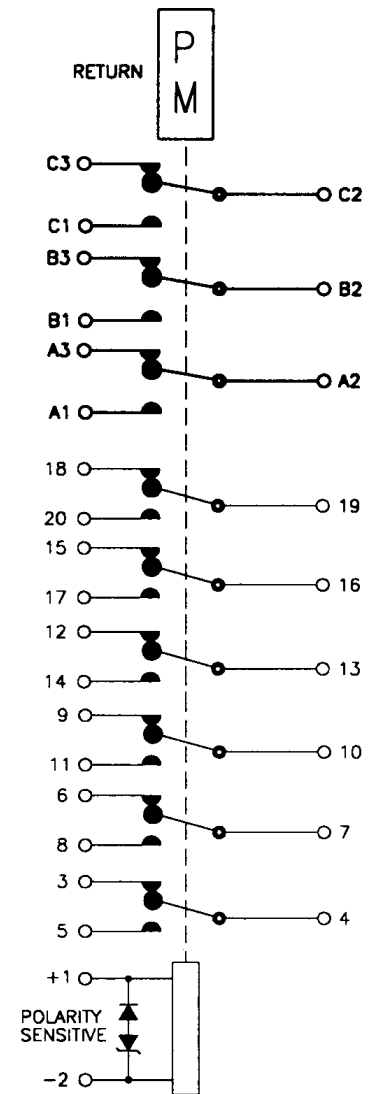
Features:

- 3PDT Side Stable Main Contacts
- 115/200 VAC, 400 Hz
- 60 Amps
- High Reliability
- Meets many requirements of MIL-R-6106



Dimensions for this product are expressed in inches. Multiply values by 25.4 for millimeters.

CONTACTOR CONFIGURATION



| PRODUCT SPECIFICATIONS | |
|---------------------------|----------------------------|
| Construction | Gasket Sealed |
| Main Contacts: | |
| Configuration | 3PDT Side Stable |
| Voltage Nominal | 115/200 VAC, 400 Hz |
| Current Resistive | 60 Amps |
| Current Inductive | 60 Amps |
| Auxiliary Contacts: | |
| Configuration | 6 PDT |
| Voltage Nominal | 28 VDC, 115 VAC, 400/60 Hz |
| Current Resistive | 5 Amps |
| Current Inductive | 3 Amps |
| Lamp | 1 Amp |
| Low Level | 10 Milliampers at 28 VDC |
| Coil Data: | |
| Duty Cycle | Continuous |
| Operating Voltage | 28 VDC |
| Operating Voltage Maximum | 32 VDC |
| Operating Voltage Minimum | 18 VDC |
| Drop-Out Voltage | 2 - 7 VDC |
| Hold Voltage | 7 VDC |
| Coil Current Maximum | 0.40 Amps at 20°C, 28 VDC |
| Environmental Data: | |
| Operating Temperature | -55°C to +71°C |
| Altitude Maximum | 50,000 Feet |
| Life: | |
| Electrical | 50,000 Cycles |
| Mechanical | 100,000 Cycles |
| Weight Maximum | 2.7 Lbs. |

For factory-direct application assistance, contact the HARTMAN product team at (419) 521-9500, Fax (419) 526-2749.

© 2004 by Tyco Electronics Corporation. All Rights Reserved. HARTMAN and TYCO are trademarks.