

# Customer Information Sheet

DRAWING No.: S1621-XX

SHEET 2 OF 2

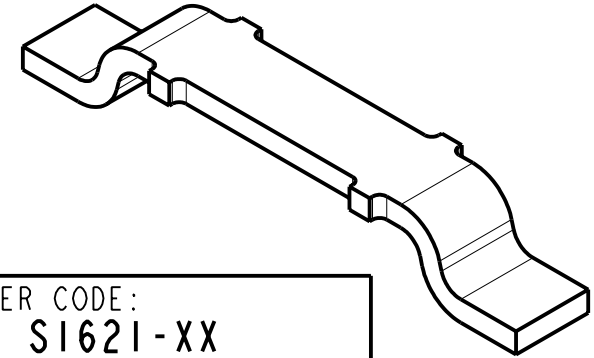
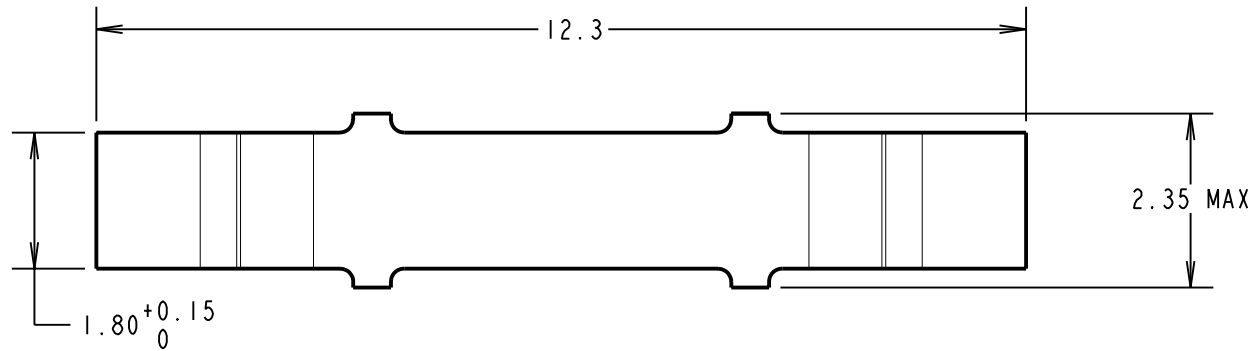
IF IN DOUBT - ASK

©

NOT TO SCALE

THIRD ANGLE PROJECTION

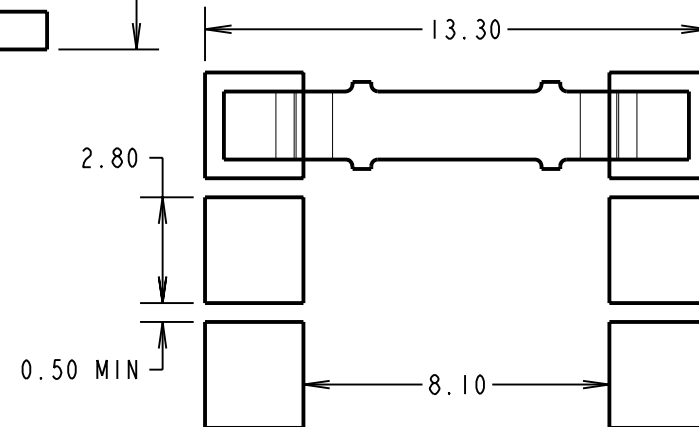
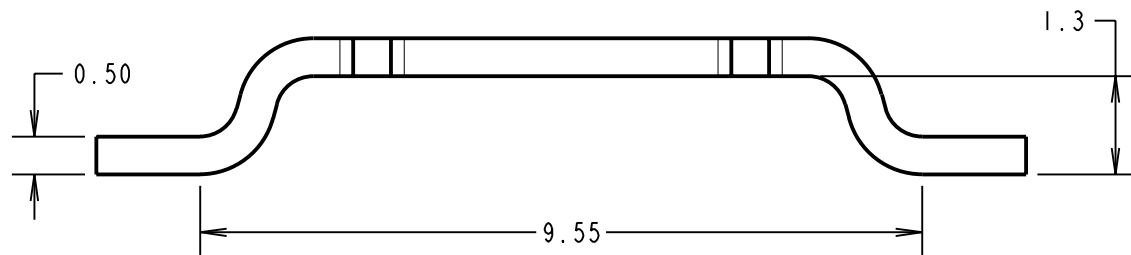
ALL DIMENSIONS IN mm



ORDER CODE:  
**S1621-XX**

FINISH \_\_\_\_\_

06 - 4μ 90/10 TIN/LEAD OVER NICKEL  
46 = 3μ 100% TIN OVER NICKEL



SM	6	16.04.10	10743
NAME	ISS.	DATE	C/NOTE
APPROVED: S. MCCULLAGH			
CHECKED: R. ADDE			
DRAWN: W. J. BOURNE			
CUSTOMER REF.:			
ASSEMBLY DRG:			

- FOR REELED COMPONENT, SEE DRAWING S162-XX.  
FOR TAPE AND REELED COMPONENT, SEE DRAWING S1621-XXR.
- PACKING: - 1000 COMPONENTS PER BAG
- CURRENT RATING = 10A MIN (30°C MAX TEMP RISE)

RECOMMENDED  
PAD LAYOUT

## HARWIN

HARWIN USA TEL: 603 893 5376 FAX: 603 893 5396 mis@harwin.com	HARWIN Europe (UK) TEL: 023 9231 4545 FAX: 023 9231 4590 mis@harwin.co.uk	HARWIN Asia TEL: +65 6 779 4909 FAX: +65 6 779 3868 mis@harwin.com.sg
------------------------------------------------------------------------	------------------------------------------------------------------------------------	--------------------------------------------------------------------------------

THIS DRAWING AND ANY INFORMATION OR DESCRIPTIVE MATTER SET OUT HEREON ARE CONFIDENTIAL AND COPYRIGHT PROPERTY OF THE HARWIN GROUP AND MUST NOT BE DISCLOSED, LOANED, COPIED OR USED FOR MANUFACTURING, TENDERING OR FOR ANY OTHER PURPOSE WITHOUT THEIR WRITTEN PERMISSION.

TOLERANCES  
X. = ±1mm  
X.X = ±0.25mm  
X.XX = ±0.10mm  
X.XXX = ±0.01mm  
ANGLES = ±5°  
UNLESS STATED

MATERIAL:  
BRASS CW508L

FINISH: SEE ORDER CODE

S/AREA: mm<sup>2</sup>

TITLE:  
SURFACE MOUNT JUMPER  
(LOOSE)

DRAWING NUMBER:  
**S1621-XX**

SHT 2 OF 2