



Model No.	OSPR3XX1- XXXME1C1E
REV.	C1

3PCS Xeon 1 Power LED

Descriptions:

- Green light source, fast response
- Long life, easy installation
- LED model number: XXXME1C1E

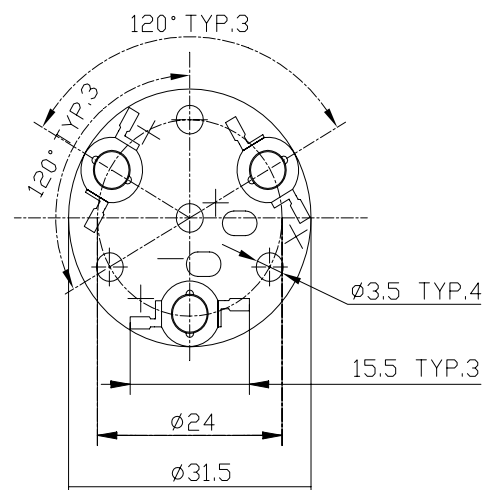
Features:

- Available in red, yellow, green, blue, white
- Super Bright
- Big Emitting Angle
- Superior ESD Protection
- Superior UV Resistance

Application:

- Small Space Lighting
- Mechanical equipment lights

Product Picture and Dimensions:



Unit:mm
Tolerance: ± 0.3 mm



Model No.	OSPR3XX1- XXXME1C1E
REV.	C1

Device Selection Guide

Module No.	Color	Wavelength (Typ.)		Condition	Overall luminous flux (Typ.)
R5XME1C1E	Red	625 nm		IF=350mA	150 lm
G5XME1C1E	Green	525 nm		IF=350mA	225 lm
B5XME1C1E	Blue	470 nm		IF=350mA	45 lm
Y5XME1C1E	Yellow	590 nm		IF=350mA	150 lm
W4XME1C1E	White	X=0.31,Y=0.33	6500K	IF=350mA	300 lm
M5XMEC1E	Warm White	X=0.45,Y=0.41	3000K	IF=350mA	225 lm
M4XME1C1E	Warm White	X=0.49,Y=0.43	2500K	IF=350mA	255 lm
M7XME1C1E	Warm White	X=0.38,Y=0.39	4000K	IF=350mA	255 lm

Absolute Maximum Ratings(Ta=25)

Items	Symbol	Values	Units
Operating supply range(DC)	V _{idc} (B, W, G)	12	V
	V _{idc} (R, Y)	9	
Input Current (DC)	I _i	400	mA
Power Dissipation	P _a (B, W, G)	4.8	W
	P _a (R, Y)	3.6	
Operating Temperature	T _{op}	-10 ~ +40	DegC
Storage Temperature	T _{stg}	-20 ~ +80	DegC

Typical Performance (Ta=25)

Items	Symbol	Min.	Typ.	Max.	Units
LED Module Power	P _m (B, W, G)	-	3.5	4.8	W
	P _m (R, Y)		2.625	3.6	
Input Voltage(DC)	V _i (B, W, G)	-	10	12	V
	V _i (R, Y)		7.5	9	
Product input Current	I _f	-	350	400	mA
Beam Pattern	BP	-	120	-	Deg
Total diameter of PCB	L _{mod.}	-	31.5	-	mm
Net Weight	Wei.	---	5	---	g