



Model No.	OSPR6XX2- XXXME1C1E
REV.	C1

## 6PCS Xeon 1 Power LED

### Descriptions:

- Green light source, fast response
- Long life, easy installation
- LED model number: XXXME1C1E

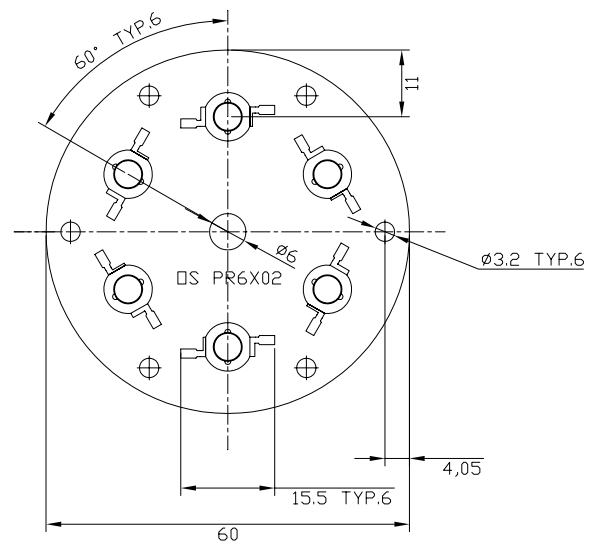
### Features:

- Available in red, yellow, green, blue, white
- Super Bright
- Big Emitting Angle
- Superior ESD Protection
- Superior UV Resistance
- Can be equipped with lens: OS-OLSH6620P

### Application:

- Small space lighting
- Mechanical equipment lights

### Product Picture and Dimensions:



Unit: mm

Tolerance:  $\pm 0.3\text{mm}$



Model No.	OSPR6XX2- XXXME1C1E
REV.	C1

### Device Selection Guide

Module No.	Color	Wavelength (Typ.)		Condition	Overall luminous flux (Typ.)
R5XME1C1E	Red	625 nm		IF=700mA	300 lm
G5XME1C1E	Green	525 nm		IF=700mA	450 lm
B5XME1C1E	Blue	470 nm		IF=700mA	90 lm
Y5XME1C1E	Yellow	590 nm		IF=700mA	300 lm
W4XME1C1E	White	X=0.31,Y=0.33	6500K	IF=700mA	600 lm
M5XMEC1E	Warm White	X=0.45,Y=0.41	3000K	IF=700mA	450 lm
M4XME1C1E	Warm White	X=0.49,Y=0.43	2500K	IF=700mA	510lm
M7XME1C1E	Warm White	X=0.38,Y=0.39	4000K	IF=700mA	510 lm

### Absolute Maximum Ratings(Ta=25 )

Items	Symbol	Values	Units
Operating supply range(DC)	V <sub>idc</sub> (B, W, G)	12	V
	V <sub>idc</sub> (R, Y)	9	
Input Current (DC)	I <sub>i</sub>	800	mA
Power Dissipation	P <sub>a</sub> (B, W, G)	9.6	W
	P <sub>a</sub> (R, Y)	7.2	
Operating Temperature	T <sub>ope</sub>	-10 ~ +40	DegC
Storage Temperature	T <sub>stg</sub>	-20 ~ +80	DegC

### Typical Performance (Ta=25 )

Items	Symbol	Min.	Typ.	Max.	Units
LED Module Power	P <sub>m</sub> (B, W, G)	-	7	9.6	w
	P <sub>m</sub> (R, Y)		5.25	7.2	
Input Voltage(DC)	V <sub>i</sub> (B, W, G)	-	10	12	V
	V <sub>i</sub> (R, Y)		7.5	9	
Product Input Current	I <sub>f</sub>	-	700	800	mA
Beam Pattern	BP	-	120	-	Deg
Total Diameter of PCB	L <sub>mod.</sub>	-	60	-	mm
Net Weight	Wei.	---	15.5	---	g