

Quad-Channel, 16-Bit, 1.6/2.5 GSPS, Digital-to-Analog Converter with 12.5 Gbps JESD204B Interface

Check for Samples: [DAC37J84](#), [DAC38J84](#)

FEATURES

- **Resolution: 16-Bit**
- **Maximum Sample Rate:**
 - **DAC37J84: 1.6 GSPS**
 - **DAC38J84: 2.5 GSPS**
- **Maximum Input Data Rate: 1.23GSPS**
- **JESD204B Interface**
 - **8 JESD204B Serial Input Lanes**
 - **12.5 Gbps Maximum Bit Rate per Lane**
 - **Subclass 1 Multi-DAC Synchronization**
- **On-Chip Very Low Jitter PLL**
- **Selectable 1x -16x Interpolation**
- **Independent Complex Mixers with 48-bit NCO/
or $\pm n \times F_s/8$**
- **Wideband Digital Quadrature Modulator
Correction**
- **Sinx/x Correction Filters**
- **Fractional Sample Group Delay Correction**
- **Multi-Band Mode: Digital Summation of
Independent Complex Signals**
- **3/4-Wire Serial Control Bus (SPI): 1.5V – 1.8V**
- **Integrated Temperature Sensor**
- **JTAG Boundary Scan**
- **Pin-compatible with Dual-channel
DAC37J82/DAC38J82 family**
- **Power Dissipation: 1.8W at 2.5GSPS**
- **Package: 10x10mm, 144-Ball Flip-Chip BGA**

APPLICATIONS

- **Cellular Base Stations**
- **Diversity Transmit**
- **Wideband Communications**
- **Direct Digital Synthesis (DDS) instruments**
- **Millimeter/Microwave Backhaul**
- **Automated Test Equipment**
- **Cable Infrastructure**

DESCRIPTION

The pin-compatible DAC37J84/DAC38J84 family is a very low power, 16-bit, quad-channel, 1.6/2.5 GSPS digital to analog converter (DAC) with JESD204B interface up to 12.5 Gbps. The maximum input data rate is 1.23 GSPS. The DAC37J84/DAC38J84 family is also pin-compatible with the 16-bit, dual-channel, 1.6/2.5GSPS DAC37J82/DAC38J82 family.

Digital data is input to the device through 1, 2, 4 or 8 configurable serial JESD204B lanes running up to 12.5 Gbps with on-chip termination and programmable equalization. The interface allows JESD204B Subclass 1 SYSREF based deterministic latency and full synchronization of multiple devices.

The device includes features that simplify the design of complex transmit architectures. Fully bypassable 2x to 16x digital interpolation filters with over 90 dB of stop-band attenuation simplify the data interface and reconstruction filters. An on-chip 48-bit Numerically Controlled Oscillator (NCO) and independent complex mixers allow flexible and accurate carrier placement. A high-performance low jitter PLL simplifies clocking of the device without significant impact on the dynamic range. The digital Quadrature Modulator Correction (QMC) and Group Delay Correction (QDC) enable complete IQ compensation for gain, offset, phase, and group delay between channels in direct up-conversion applications. A programmable Power Amplifier (PA) protection mechanism is available to provide PA protection in cases when the abnormal power behavior of the input data is detected.

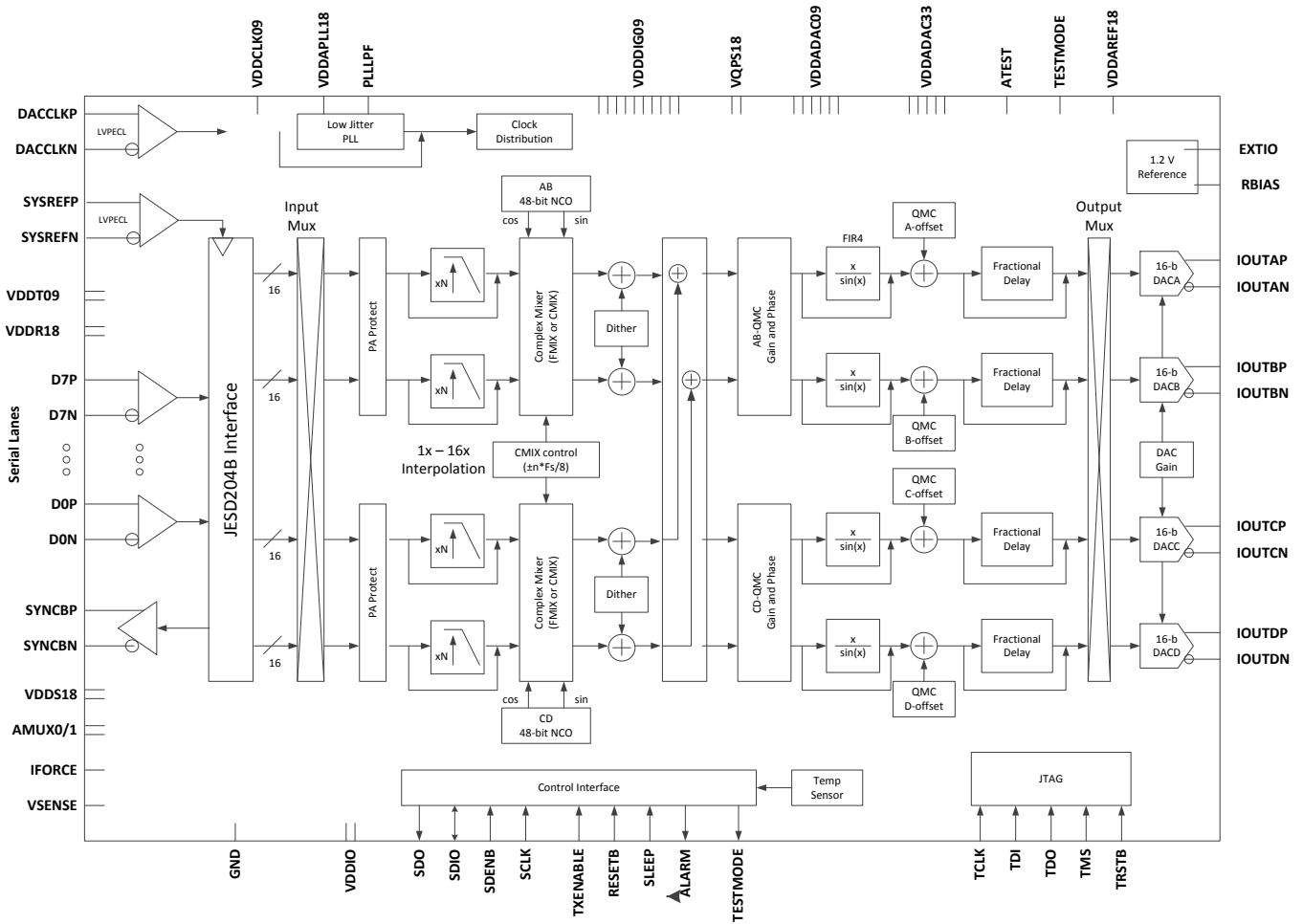
The DAC37J84/DAC38J84 family is packaged in a 10x10mm 144-pin flip-chip BGA. The DAC37J84/DAC38J84 family is specified over the full industrial temperature range (-40°C to 85°C).

PRODUCT PREVIEW



Please be aware that an important notice concerning availability, standard warranty, and use in critical applications of Texas Instruments semiconductor products and disclaimers thereto appears at the end of this data sheet.

BLOCK DIAGRAM



PRODUCT PREVIEW

CONTENTS

| | |
|--|----|
| FEATURES | 1 |
| APPLICATIONS..... | 1 |
| DESCRIPTION | 1 |
| ABSOLUTE MAXIMUM RATINGS | 6 |
| THERMAL INFORMATION | 6 |
| RECOMMENDED OPERATING CONDITIONS | 6 |
| ELECTRICAL CHARACTERISTICS - DC SPECIFICATIONS (to be Verified) | 7 |
| ELECTRICAL CHARACTERISTICS – DC SPECIFICATIONS (to be verified)..... | 8 |
| ELECTRICAL CHARACTERISTICS – DC SPECIFICATIONS (to be verified)..... | 9 |
| ELECTRICAL CHARACTERISTICS – DIGITAL SPECIFICATIONS (to be verified) | 10 |
| ELECTRICAL CHARACTERISTICS – AC SPECIFICATIONS (to be verified)..... | 11 |
| TYPICAL PERFORMANCE PLOTS | 13 |

Ordering Information

| T _A | ORDER CODE | PACKAGE DRAWING/TYPE ⁽¹⁾ | TRANSPORT MEDIA | QUANTITY |
|----------------|---------------|-------------------------------------|-----------------|----------|
| -40°C to 85°C | DAC37J84IAAV | AAV/144-ball flip chip BGA | Tape and Reel | 160 |
| | DAC37J84IAAVR | | | 1000 |
| -40°C to 85°C | DAC38J84IAAV | AAV/144-ball flip chip BGA | Tape and Reel | 160 |
| | DAC38J84IAAVR | | | 1000 |

(1) MSL Peak Temperature: Level-3-260C-168 HR

PIN ASSIGNMENT (Top view)

| | A | B | C | D | E | F | G | H | J | K | L | M | |
|----|----------------|-----------------|-----------------|-----------------|-----------------|----------------|----------------|-----------------|-----------------|-----------------|-----------|-------|----|
| 12 | GND | IOUTAP | IOUTAN | IOUTBN | IOUTBP | GND | GND | IOUTCP | IOUTCN | IOUTDN | IOUTDP | GND | 12 |
| 11 | GND | GND | GND | GND | GND | GND | GND | GND | GND | GND | GND | GND | 11 |
| 10 | DACCLKP | VDDAPLL 1.8V | VDDAREF 1.8V | VDDADAC 1.8V | VDDADAC 1.8V | EXTIO | RBIAS | VDDADAC 1.8V | VDDADAC 1.8V | VDDAREF 1.8V | SDIO | SDO | 10 |
| 9 | DACCLKN | VDDAPLL 1.8V | LPF | VDDDAC 1.8V | VDDDAC 1.8V | VDDDAC 1.8V | VDDDAC 1.8V | VDDDAC 1.8V | VDDDAC 1.8V | ATEST | SCLK | SDENB | 9 |
| 8 | VDDCLK 1.8V | VDDCLK 1.8V | GND | GND | GND | GND | GND | GND | GND | RESETB | ALARM | SLEEP | 8 |
| 7 | SYSREFP | SYNCPB | VDDS 1.8V | VDDS 1.8V | GND | GND | GND | GND | VDDDIG 0.9V | VDDIO 1.8V | SYNC_N_CD | NC | 7 |
| 6 | SYSREFN | SYNCPN | VDDS 1.8V | VDDS 1.8V | GND | GND | GND | GND | VDDDIG 0.9V | VDDIO 1.8V | SYNC_N_AB | NC | 6 |
| 5 | GND | GND | IFORCE | VDDDIG 0.9V | GND | GND | GND | GND | VDDDIG 0.9V | TXENABLE | TDI | TDO | 5 |
| 4 | GND | GND | VSENSE | VDDDIG 0.9V | VDDDIG 0.9V | VDDDIG 0.9V | VDDDIG 0.9V | VDDDIG 0.9V | VDDDIG 0.9V | TCLK | TMS | GND | 4 |
| 3 | RXP7 | GND | GND | VDDDIG 0.9V | AMUX1 | VDDT 0.9V | VDDT 0.9V | AMUX0 | TRSTB | TESTMODE | GND | RXP3 | 3 |
| 2 | RXN7 | GND | GND | GND | GND | VDDR 1.8V | VDDR 1.8V | GND | GND | GND | GND | RXN3 | 2 |
| 1 | RXN6 | RXP6 | RXP5 | RXN5 | RXN4 | RXP4 | RXP0 | RXN0 | RXN1 | RXP1 | RXP2 | RXN2 | 1 |
| | A | B | C | D | E | F | G | H | J | K | L | M | |

PRODUCT PREVIEW

Pin Functions

| BALL NAME | BALL NO. | I/O | DESCRIPTION (SUBJECT TO CHANGE) |
|-----------|--|-----|---|
| ALARM | L8 | O | CMOS output for ALARM condition. The ALARM output functionality is defined through the <i>config7 register</i> . Default polarity is active low, but can be changed to active high via <i>config0 alarm_out_pol</i> control bit. |
| AMUX0 | H3 | I/O | Analog test pin for SerDes, Lane 0 to Lane 3 |
| AMUX1 | E3 | I/O | Analog test pin for SerDes, Lane 4 to Lane 7 |
| ATEST | K9 | I/O | Analog test pin for DAC, references and PLL |
| DACCLKP | A10 | I | Positive external LVPECL clock input for DAC core with a self-bias. |
| DACCLKN | A9 | I | Complementary external LVPECL clock input for DAC core. (see the DACCLKP description) |
| EXTIO | F10 | I/O | Used as external reference input when internal reference is disabled through <i>config27 extref_ena = '1'</i> . Used as internal reference output when <i>config27 extref_ena = '0'</i> (default). Requires a 0.1 μ F decoupling capacitor to AGND when used as reference output. |
| GND | A12, F12, G12, M12, A11, B11, C11, D11, E11, F11, G11, H11, J11, K11, L11, M11, C8, D8, E8, F8, G8, H8, J8, E7, F7, G7, H7, E6, F6, G6, H6, A5, B5, E5, F5, G5, H5, A4, B4, M4, B3, C3, L3, B2, C2, D2, E2, H2, J2, K2, L2 | I | These pins are ground for all supplies. |
| IFORCE | C5 | I/O | Analog test pin for on chip parameters |
| IOUTAP | B12 | O | A-Channel DAC current output. |
| IOUTAN | C12 | O | A-Channel DAC complementary current output. |
| IOUTBP | E12 | O | B-Channel DAC current output. |
| IOUTBN | D12 | O | B-Channel DAC complementary current output. |
| IOUTCP | H12 | O | C-Channel DAC current output. |
| IOUTCN | J12 | O | C-Channel DAC complementary current output. |
| IOUTDP | L12 | O | D-Channel DAC current output. |
| IOUTDN | K12 | O | D-Channel DAC complementary current output. |
| LPF | C9 | I/O | PLL loop filter connection. If not using the clock multiplying PLL, the LPF pin can be left unconnected. |
| RBIAS | G10 | O | Full-scale output current bias. Change the full-scale output current through <i>coarse_dac(3:0)</i> in <i>register tbd</i> |
| RESETB | K8 | I | Active low input for chip RESET, which resets all the programming registers to their default state. Internal pull-up. |
| RX0P | G1 | I | CML SerDes interface lane 0 input, positive |
| RX0N | H1 | I | CML SerDes interface lane 0 input, negative |
| RX1P | K1 | I | CML SerDes interface lane 1 input, positive |
| RX1N | J1 | I | CML SerDes interface lane 1 input, negative |
| RX2P | L1 | I | CML SerDes interface lane 2 input, positive |
| RX2N | M1 | I | CML SerDes interface lane 2 input, negative |
| RX3P | M3 | I | CML SerDes interface lane 3 input, positive |
| RX3N | M2 | I | CML SerDes interface lane 3 input, negative |
| RX4P | F1 | I | CML SerDes interface lane 4 input, positive |
| RX4N | E1 | I | CML SerDes interface lane 4 input, negative |
| RX5P | C1 | I | CML SerDes interface lane 5 input, positive |
| RX5N | D1 | I | CML SerDes interface lane 5 input, negative |
| RX6P | B1 | I | CML SerDes interface lane 6 input, positive |
| RX6N | A1 | I | CML SerDes interface lane 6 input, negative |

PRODUCT PREVIEW

Pin Functions (continued)

| BALL NAME | BALL NO. | I/O | DESCRIPTION (SUBJECT TO CHANGE) |
|-----------|--|-----|--|
| RX7P | A3 | I | CML SerDes interface lane 7 input, positive |
| RX7N | A2 | I | CML SerDes interface lane 7 input, negative |
| SYSREFP | A7 | I | LVPECL SYSREF positive input. This positive/negative pair is captured with the rising edge of DACCLKP/N. It is used for multiple DAC synchronization. |
| SYSREFN | A6 | I | LVPECL SYSREF negative input. (See the SYSREF description) |
| SCLK | L9 | I | Serial interface clock. Internal pull-down. |
| SDENB | M9 | I | Active low serial data enable, always an input to the DAC37J84/DAC38J84. Internal pull-up. |
| SDIO | L10 | I/O | Serial interface data. Bi-directional in 3-pin mode (default) and 4-pin mode. Internal pull-down. |
| SDO | M10 | O | Uni-directional serial interface data in 4-pin mode. The SDO pin is tri-stated in 3-pin interface mode (default). |
| SLEEP | M8 | I | Active high asynchronous hardware power-down input. Internal pull-down. |
| SYNCBP | B7 | O | Synchronization request to transmitter, LVDS positive output. |
| SYNCBN | B6 | O | Synchronization request to transmitter, LVDS negative output. |
| SYNC_N_AB | L6 | O | Synchronization request to transmitter, CMOS output. Defaults to link 0, but can be programmable for any link. |
| SYNC_N_CD | L7 | O | Synchronization request to transmitter, CMOS output. Defaults to link 1, but can be programmable for any link. |
| TCLK | K4 | I | JTAG test clock. |
| TDI | L5 | I | JTAG test data in. |
| TDO | M5 | O | JTAG test data out. |
| TMS | L4 | I | JTAG test mode select. |
| TRSTB | J3 | I | JTAG test reset. Must be pulled low if the JTAG port is not used. |
| TXENABLE | K5 | I | Transmit enable active high input. Internal pull-down. To enable analog output data transmission, set <i>sif_txenable</i> in register <i>config3</i> to "1" or pull CMOS TXENABLE pin to high. To disable analog output, set <i>sif_txenable</i> to "0" and pull CMOS TXENABLE pin to low. The DAC output is forced to midscale. |
| TESTMODE | K3 | O | This pin is used for factory testing. Internal pull-down. Leave unconnected for normal operation. |
| VDDADAC33 | D10, E10, H10, J10, | I | Analog supply voltage. (3.3V) |
| VDDAPLL18 | B10, B9 | I | PLL analog supply voltage. (1.8V) |
| VDDAREF18 | C10, K10 | I | Analog reference supply voltage (1.8V) |
| VDDCLK09 | A8, B8 | I | Internal clock buffer supply voltage (0.9V). It is recommended to isolate this supply from VDDDIG09. |
| VDDDAC09 | D9, E9, F9, G9, H9, J9 | I | DAC core supply voltage. (0.9V). It is recommended to isolate this supply from VDDDIG09. |
| VDDDIG09 | J7, J6, D5, J5, D4, E4, F4, G4, H4, J4, D3 | I | Digital supply voltage. (0.9V). It is recommended to isolate this supply from VDDCLK09 and VDDDAC09. |
| VDDIO18 | K7, K6 | I | Supply voltage for all digital I/O and CMOS I/O. (1.8V) |
| VDDR18 | F2, G2 | I | Supply voltage for SerDes (1.8V) |
| VDDS18 | C7, C6 | I | Supply voltage for LVDS SYNCBP/N (1.8V) |
| VDDT09 | F3, G3 | I | Supply voltage for SerDes termination (0.9V) |
| VQPS18 | D7, D6 | I | Fuse supply voltage. This supply pin is also used for factory fuse programming. Connect to 1.8V. |
| VSENSE | C4 | I/O | Analog test pin for on chip parameters. |

ABSOLUTE MAXIMUM RATINGS

over operating free-air temperature range (unless otherwise noted)⁽¹⁾

| | | VALUE | UNIT |
|--|---|-----------------------------|------|
| Supply Voltage Range ⁽²⁾ | VDDDAC09, VDDDIG09 | -0.5 to 1.1 | V |
| | VDDCLK09 | -0.5 to 1.1 | V |
| | VDDT09 | -0.5 to 1.1 | V |
| | VDDR18, VDDIO, VDDS18, VQPS18 | -0.5 to 1.98 | V |
| | VDDAPLL18, VDDAREF18 | -0.5 to 1.98 | V |
| | VDDADAC33 | -0.5 to 3.63 | V |
| Pin Voltage Range ⁽²⁾ | RX[7..0]P/N | -0.5 V to VDDDIG09 + 0.5 V | V |
| | SDENB, SCLK, SDIO, SDO, TXENA, ALARM, RESETB, SLEEP, TMS, TCLK, TDI, TDO, TRSTB, TESTMODE, SYNC_N_AB, SYNC_N_CD | -0.5 V to VDDIO18 + 0.5 V | V |
| | DACCLKP/N, SYSREFP/N | -0.5 V to VDDCLK09 + 0.5 V | |
| | SYNCBP/N | -0.5 V to VDDS18 + 0.5 V | V |
| | PLLLPF | -0.5 V to VDDAPLL18 + 0.5 V | |
| | IOUTAP/N, IOUTBP/N, IOUTCP/N, IOUTDP/N | -0.5 V to VDDADAC33 + 0.5 V | V |
| | RBIAS, EXTIO, ATEST | -0.5 V to VDDAREF18 + 0.5 V | V |
| | IFORCE, VSENSE | -0.5 V to VDDDIG09 + 0.5 V | V |
| AMUX1, AMUX0 | -0.5 V to VDDT09 + 0.5 V | V | |
| Peak input current (any input) | | 20 | mA |
| Peak total input current (all inputs) | | -30 | mA |
| Absolute maximum junction temperature T _J | | 150 | °C |
| Operating free-air temperature range, T _A : DAC37J84/DAC38J84 | | -40 to 85 | °C |
| Storage temperature range | | -65 to 150 | °C |
| Lead temperature 1,6 mm (1/16 inch) from the case for 10 seconds | | 260 | °C |

- (1) Stresses beyond those listed under absolute maximum ratings may cause permanent damage to the device. These are stress ratings only and functional operation of these or any other conditions beyond those indicated under “recommended operating conditions” is not implied. Exposure to absolute-maximum-rated conditions for extended periods may affect device reliability.
- (2) Measured with respect to GND.

THERMAL INFORMATION

| THERMAL CONDUCTIVITY ⁽¹⁾ (2) | | 144-Ball BGA | UNIT |
|---|---------------------------------------|--------------|------|
| θ _{JA} | Theta junction-to-ambient (still air) | 31.4 | °C/W |
| θ _{JB} | Theta junction-to-board | 12.6 | |
| θ _{JC} | Theta junction-to-case, top | 1.8 | |
| ψ _{JT} | Psi junction-to-top of package | 0.2 | |
| ψ _{JB} | Psi junction-to-bottom of package | 12 | |

- (1) Air flow or heat sinking reduces θ_{JA} and may be required for sustained operation at 85° and maximum operating conditions.
- (2) It is strongly recommended to solder the device thermal pad to the board ground plane.

RECOMMENDED OPERATING CONDITIONS

| | | MIN | NOM | MAX | UNIT |
|----------------|---|-----|-----|-----|------|
| T _J | Recommended operating junction temperature ⁽¹⁾ | | | 105 | °C |
| | Maximum rated operating junction temperature | 125 | | | °C |
| T _A | Recommended free-air temperature | -40 | 25 | 85 | °C |

- (1) Prolonged use at this junction temperature may increase the device failure-in-time (FIT) rate.

ELECTRICAL CHARACTERISTICS - DC SPECIFICATIONS (to be Verified)

 Typical values at $T_A = 25^\circ\text{C}$, full temperature range is $T_{\text{MIN}} = -40^\circ\text{C}$ to $T_{\text{MAX}} = 85^\circ\text{C}$, nominal supplies, unless otherwise noted.

| PARAMETER | TEST CONDITIONS | DAC37J84 | | | DAC38J84 | | | UNIT | | |
|---------------------------------|---|-----------------------------------|-----|-----------|-------------|-----|-----------|-----------------------|--------|---|
| | | MIN | TYP | MAX | MIN | TYP | MAX | | | |
| Resolution | | 16 | | | 16 | | | Bits | | |
| DC ACCURACY | | | | | | | | | | |
| DNL | Differential nonlinearity | 1 LSB = $I_{\text{OUTFS}}/2^{16}$ | | | ± 2 | | | LSB | | |
| INL | Integral nonlinearity | | | | ± 4 | | | LSB | | |
| ANALOG OUTPUT | | | | | | | | | | |
| | Coarse gain linearity | | | | ± 0.04 | | | LSB | | |
| | Offset error | Mid code offset | | | ± 0.001 | | | %FSR | | |
| | Gain error | With external reference | | | ± 2 | | | %FSR | | |
| | | With internal reference | | | ± 2 | | | %FSR | | |
| | Gain mismatch | With internal reference | | | ± 2 | | | %FSR | | |
| | Full scale output current | | | | 20 | 30 | 20 | 30 | mA | |
| | Output compliance range | -0.5 | | | 0.6 | | | V | | |
| | Output resistance | 300 | | | 300 | | | k Ω | | |
| | Output capacitance | 5 | | | 5 | | | pF | | |
| REFERENCE OUTPUT | | | | | | | | | | |
| V_{REF} | Reference output voltage | | | | 0.9 | | | V | | |
| | Reference output current ⁽¹⁾ | | | | 100 | | | nA | | |
| REFERENCE INPUT | | | | | | | | | | |
| V_{EXTIO} | Input voltage range | External Reference Mode | | 0.1 | 0.9 | 1 | 0.1 | 0.9 | 1 | V |
| | Input resistance | | | | 1 | | | M Ω | | |
| | Input capacitance | | | | 50 | | | pF | | |
| TEMPERATURE COEFFICIENTS | | | | | | | | | | |
| | Offset drift | | | | ± 1 | | | Ppm/ $^\circ\text{C}$ | | |
| | Gain drift | with external reference | | | ± 15 | | | ppm/ $^\circ\text{C}$ | | |
| | | with internal reference | | | ± 30 | | | ppm/ $^\circ\text{C}$ | | |
| | Reference voltage drift | | | | ± 8 | | | ppm/ $^\circ\text{C}$ | | |
| POWER SUPPLY | | | | | | | | | | |
| | VDDDAC33 | | | | 3.3 | | | V | | |
| | VDDAPLL18, VDDAREF18, VDDS18, VQPS18, VDDR18 | | | | 1.8 | | | V | | |
| | VDDIO18 | | | | 1.8 | | | V | | |
| | VDDDIG09, VDDDAC09, VDDCLK09, VDDT09 | | | | 0.9 | | | V | | |
| PSRR | Power Supply Rejection Ratio | DC tested | | ± 0.2 | | | ± 0.2 | | %FSR/V | |

(1) Use an external buffer amplifier with high impedance input to drive any external load

ELECTRICAL CHARACTERISTICS – DC SPECIFICATIONS (to be verified)

Typical values at $T_A = 25^\circ\text{C}$, full temperature range is $T_{\text{MIN}} = -40^\circ\text{C}$ to $T_{\text{MAX}} = 85^\circ\text{C}$, nominal supplies, unless otherwise noted.

| PARAMETER | | TEST CONDITIONS | DAC37J84 | | | DAC38J84 | | | UNIT |
|--------------------------|------------------------------|---|----------|-----|-----|----------|-----|-----|------|
| | | | MIN | TYP | MAX | MIN | TYP | MAX | |
| POWER CONSUMPTION | | | | | | | | | |
| $I_{\text{VDDADAC33}}$ | Analog supply current | MODE 1:(DAC38J84) $f_{\text{DAC}}=2.46\text{GSPS}$, 2x interpolation, NCO on, QMC on, inverse sinc on, GDC off, PAP off, PLL on, LMF=841, SerDes rate = 12.3GSPS, 20mA FS output, IF=150MHz. | - | - | - | 114 | - | - | mA |
| I_{VDDDIG09} | Digital supply current | | - | - | - | 1028 | - | - | |
| I_{VDDDAC09} | DAC supply current | | - | - | - | 20 | - | - | |
| I_{VDDCLK09} | Clock supply current | | - | - | - | 87 | - | - | |
| I_{VDDT09} | SerDes core supply current | | - | - | - | 323 | - | - | |
| I_{VDDR18} | SerDes analog supply current | | - | - | - | 37 | - | - | |
| I_{VDD18} | Other 1.8V supply current | | - | - | - | 58 | - | - | |
| P | Power Dissipation | | - | - | - | 1859 | - | - | |
| $I_{\text{VDDADAC33}}$ | Analog supply current | MODE 2: (DAC37J84) $f_{\text{DAC}}=1.6\text{GSPS}$, 2x interpolation, NCO on, QMC on, invsinc on, GDC off, PAP off, PLL on, LMF=841, SerDes rate = 8GSPS, 20mA FS output, IF=150MHz. | 114 | - | - | - | - | - | mA |
| I_{VDDDIG09} | Digital supply current | | 627 | - | - | - | - | - | |
| I_{VDDDAC09} | DAC supply current | | 14 | - | - | - | - | - | |
| I_{VDDCLK09} | Clock supply current | | 57 | - | - | - | - | - | |
| I_{VDDT09} | SerDes core supply current | | 268 | - | - | - | - | - | |
| I_{VDDR18} | SerDes analog supply current | | 25 | - | - | - | - | - | |
| I_{VDD18} | Other 1.8V supply current | | 54 | - | - | - | - | - | |
| P | Power Dissipation | | 1388 | - | - | - | - | - | |
| $I_{\text{VDDADAC33}}$ | Analog supply current | MODE 3: $f_{\text{DAC}}=1.47456\text{GSPS}$, 2x interpolation, NCO on, QMC off, invsinc off, GDC off, PAP off, PLL off, LMF=841, SerDes rate = 7.3728GSPS, 20mA FS output, IF=150MHz. | 114 | - | - | 114 | - | - | mA |
| I_{VDDDIG09} | Digital supply current | | 556 | - | - | 556 | - | - | |
| I_{VDDDAC09} | DAC supply current | | 14 | - | - | 14 | - | - | |
| I_{VDDCLK09} | Clock supply current | | 51 | - | - | 51 | - | - | |
| I_{VDDT09} | SerDes core supply current | | 260 | - | - | 260 | - | - | |
| I_{VDDR18} | SerDes analog supply current | | 24 | - | - | 24 | - | - | |
| I_{VDD18} | Other 1.8V supply current | | 36 | - | - | 36 | - | - | |
| P | Power Dissipation | | 1277 | - | - | 1277 | - | - | |
| $I_{\text{VDDADAC33}}$ | Analog supply current | MODE 4: $f_{\text{DAC}}=1.47456\text{GSPS}$, 4x interpolation, NCO on, QMC off, invsinc off, GDC off, PAP off, PLL off, LMF=442, SerDes rate = 7.3728GSPS, 20mA FS output, IF=150MHz. | 114 | - | - | 114 | - | - | mA |
| I_{VDDDIG09} | Digital supply current | | 468 | - | - | 468 | - | - | |
| I_{VDDDAC09} | DAC supply current | | 14 | - | - | 14 | - | - | |
| I_{VDDCLK09} | Clock supply current | | 50 | - | - | 50 | - | - | |
| I_{VDDT09} | SerDes core supply current | | 135 | - | - | 135 | - | - | |
| I_{VDDR18} | SerDes analog supply current | | 12 | - | - | 12 | - | - | |
| I_{VDD18} | Other 1.8V supply current | | 36 | - | - | 36 | - | - | |
| P | Power Dissipation | | 1063 | - | - | 1063 | - | - | |
| $I_{\text{VDDADAC33}}$ | Analog supply current | MODE 5: $f_{\text{DAC}}=1.47456\text{GSPS}$, x4, NCO off, QMC off, invsinc off, GDC off, PAP off, PLL off, LMF=442, SerDes rate = 7.3728GSPS, DAC output in sleep mode. | 13 | - | - | 13 | - | - | mA |
| I_{VDDDIG09} | Digital supply current | | 368 | - | - | 368 | - | - | |
| I_{VDDDAC09} | DAC supply current | | 10 | - | - | 10 | - | - | |
| I_{VDDCLK09} | Clock supply current | | 50 | - | - | 50 | - | - | |
| I_{VDDT09} | SerDes core supply current | | 135 | - | - | 135 | - | - | |
| I_{VDDR18} | SerDes analog supply current | | 12 | - | - | 12 | - | - | |
| I_{VDD18} | Other 1.8V supply current | | 28 | - | - | 28 | - | - | |
| P | Power Dissipation | | 622 | - | - | 622 | - | - | |

ELECTRICAL CHARACTERISTICS – DC SPECIFICATIONS (to be verified)

Typical values at $T_A = 25^\circ\text{C}$, full temperature range is $T_{\text{MIN}} = -40^\circ\text{C}$ to $T_{\text{MAX}} = 85^\circ\text{C}$, nominal supplies, unless otherwise noted.

| PARAMETER | TEST CONDITIONS | DAC37J84 | | | DAC38J84 | | | UNIT | | | |
|--------------------------|------------------------------|---|-----|-----|--|-----|-----|--|--|--|----|
| | | MIN | TYP | MAX | MIN | TYP | MAX | | | | |
| POWER CONSUMPTION | | | | | | | | | | | |
| $I_{\text{VDDADAC33}}$ | Analog supply current | MODE 6: $f_{\text{DAC}}=1000\text{MSPS}$, 2x interpolation, NCO off, QMC off, invsinc off, GDC off, PAP off, PLL on, LMF=442, SerDes rate = 10GSPS, 20mA FS output, IF=150MHz. | | | 114 114 373 373 12 12 37 37 151 151 15 15 56 56 1020 1020 | | | 114 114 373 373 12 12 37 37 151 151 15 15 56 56 1020 1020 | | | mA |
| I_{VDDDIG09} | Digital supply current | | | | | | | | | | |
| I_{VDDDAC09} | DAC supply current | | | | | | | | | | |
| I_{VDDCLK09} | Clock supply current | | | | | | | | | | |
| I_{VDDT09} | SerDes core supply current | | | | | | | | | | |
| I_{VDDR18} | SerDes analog supply current | | | | | | | | | | |
| I_{VDD18} | Other 1.8V supply current | | | | | | | | | | |
| P | Power Dissipation | | | | | | | | | | |
| $I_{\text{VDDADAC33}}$ | Analog supply current | MODE 7: $f_{\text{DAC}}=1000\text{MSPS}$, 2x interpolation, NCO off, QMC off invsinc off, GDC off, PAP off, PLL off, LMF=442, SerDes rate = 10GSPS, 20mA FS output, IF=150MHz. | | | 114 114 372 372 12 12 35 35 151 151 15 15 35 35 979 979 | | | 114 114 372 372 12 12 35 35 151 151 15 15 35 35 979 979 | | | mA |
| I_{VDDDIG09} | Digital supply current | | | | | | | | | | |
| I_{VDDDAC09} | DAC supply current | | | | | | | | | | |
| I_{VDDCLK09} | Clock supply current | | | | | | | | | | |
| I_{VDDT09} | SerDes core supply current | | | | | | | | | | |
| I_{VDDR18} | SerDes analog supply current | | | | | | | | | | |
| I_{VDD18} | Other 1.8V supply current | | | | | | | | | | |
| P | Power Dissipation | | | | | | | | | | |
| $I_{\text{VDDADAC33}}$ | Analog supply current | MODE 8: $f_{\text{DAC}}=625\text{MSPS}$, 2x interpolation, NCO off, QMC off, invsinc off, GDC off, PAP off, PLL off, LMF=841, SerDes rate = 3.125GSPS, 20mA FS output, IF=20MHz. | | | 114 114 247 247 5 5 22 22 228 228 21 21 26 26 913 913 | | | 114 114 247 247 5 5 22 22 228 228 21 21 26 26 913 913 | | | mA |
| I_{VDDDIG09} | Digital supply current | | | | | | | | | | |
| I_{VDDDAC09} | DAC supply current | | | | | | | | | | |
| I_{VDDCLK09} | Clock supply current | | | | | | | | | | |
| I_{VDDT09} | SerDes core supply current | | | | | | | | | | |
| I_{VDDR18} | SerDes analog supply current | | | | | | | | | | |
| I_{VDD18} | Other 1.8V supply current | | | | | | | | | | |
| P | Power Dissipation | | | | | | | | | | |
| $I_{\text{VDDADAC33}}$ | Analog supply current | MODE 9: $f_{\text{DAC}}=1.23\text{GSPS}$, no interpolation, NCO off, QMC off, invsinc off, GDC off, PAP off, PLL off, LMF=841, SerDes rate = 12.3GSPS, 20mA FS output, IF=150MHz; | | | 114 114 477 477 12 12 44 44 322 322 39 39 36 36 1281 1281 | | | 114 114 477 477 12 12 44 44 322 322 39 39 36 36 1281 1281 | | | mA |
| I_{VDDDIG09} | Digital supply current | | | | | | | | | | |
| I_{VDDDAC09} | DAC supply current | | | | | | | | | | |
| I_{VDDCLK09} | Clock supply current | | | | | | | | | | |
| I_{VDDT09} | SerDes core supply current | | | | | | | | | | |
| I_{VDDR18} | SerDes analog supply current | | | | | | | | | | |
| I_{VDD18} | Other 1.8V supply current | | | | | | | | | | |
| P | Power Dissipation | | | | | | | | | | |
| $I_{\text{VDDADAC33}}$ | Analog supply current | MODE 10: Power down mode, no clock, DAC in sleep mode, SerDes in sleep mode | | | 5 5 75 75 1 1 1 1 9 9 0 0 10 10 112 112 | | | 5 5 75 75 1 1 1 1 9 9 0 0 10 10 112 112 | | | mA |
| I_{VDDDIG09} | Digital supply current | | | | | | | | | | |
| I_{VDDDAC09} | DAC supply current | | | | | | | | | | |
| I_{VDDCLK09} | Clock supply current | | | | | | | | | | |
| I_{VDDT09} | SerDes core supply current | | | | | | | | | | |
| I_{VDDR18} | SerDes analog supply current | | | | | | | | | | |
| I_{VDD18} | Other 1.8V supply current | | | | | | | | | | |
| P | Power Dissipation | | | | | | | | | | |

ELECTRICAL CHARACTERISTICS – DIGITAL SPECIFICATIONS (to be verified)

Typical values at $T_A = 25^\circ\text{C}$, full temperature range is $T_{\text{MIN}} = -40^\circ\text{C}$ to $T_{\text{MAX}} = 85^\circ\text{C}$, nominal supplies, unless otherwise noted.

| PARAMETER | | TEST CONDITIONS | DAC37J84 | | | DAC38J84 | | | UNIT |
|--|---|--------------------------------------|----------|-------------|-------------|----------|-------------|-------------|----------|
| | | | MIN | TYP | MAX | MIN | TYP | MAX | |
| CML SerDes Inputs: RX[7:0]P/N | | | | | | | | | |
| V_{DIFF} | Receiver Input Amplitude | | 50 | | 1200 | 50 | | 1200 | mV |
| V_{COM} | Input Common Mode (TERM=111) | | | 600 | | | 600 | | mV |
| | Input Common Mode (TERM=001) | | | 700 | | | 700 | | mV |
| | Input Common Mode (TERM=100) | | | 0 | | | 0 | | mV |
| | Input Common Mode (TERM=101) | | | 250 | | | 250 | | mV |
| Z_{DDIFF} | Internal differential termination | | 85 | 100 | 115 | 85 | 100 | 115 | Ω |
| f_{DATA} | Serdes bit rate | | 0.78125 | | 12.5 | 0.78125 | | 12.5 | Gbps |
| LVPECL Inputs: SYSREFP/N | | | | | | | | | |
| V_{COM} | Input common mode voltage | | | 0.5 | | | 0.5 | | V |
| V_{IDPP} | Differential input peak-to-peak voltage | | 100 | 800 | | 100 | 800 | | mV |
| Z_T | Internal termination | | | 100 | | | 100 | | Ω |
| C_L | Input capacitance | | | | | | | | pF |
| LVPECL Inputs: DACCLKP/N | | | | | | | | | |
| V_{COM} | Input common mode voltage | | | 0.5 | | | 0.5 | | V |
| V_{IDPP} | Differential input peak-to-peak voltage | | 100 | 800 | | 100 | 800 | | mV |
| Z_T | Internal termination | | | 100 | | | 100 | | Ω |
| C_L | Input capacitance | | | | | | | | pF |
| | Duty cycle | | 40% | | 60% | 40% | | 60% | |
| f_{DACCLK} | DACCLKP/N Input Frequency | | | 1.6 | | | | 2.5 | GHz |
| LVDS Outputs: SYNCBP/N | | | | | | | | | |
| V_{COM} | Output common mode voltage | | | 1.2 | | | 1.2 | | V |
| Z_T | Internal termination | | | 100 | | | 100 | | Ω |
| V_{OD} | Differential output voltage swing | | | 0.5 | | | 0.5 | | V |
| CMOS interface: SDENB, SCLK, SDIO, SDO, TXENA, ALARM, RESETB, SLEEP, TMS, TCLK, TDI, TDO, TRSTB, TESTMODE, SYNC_N_AB, SYNC_N_CD | | | | | | | | | |
| V_{IH} | High-level input voltage | | | 0.7 x VDDIO | | | 0.7 x VDDIO | | V |
| V_{IL} | Low-level input voltage | | | | 0.3 x VDDIO | | | 0.3 x VDDIO | V |
| I_{IH} | High-level input current | | -40 | | 40 | -40 | | 40 | nA |
| I_{IL} | Low-level input current | | -40 | | 40 | -40 | | 40 | nA |
| C_I | CMOS Input capacitance | | | 2 | | | 2 | | pF |
| V_{OH} | ALARM, SDO, SDIO, TDO | $I_{\text{load}} = -100 \mu\text{A}$ | | VDDIO – 0.2 | | | VDDIO – 0.2 | | V |
| | | $I_{\text{load}} = -2 \text{ mA}$ | | 0.8 x VDDIO | | | 0.8 x VDDIO | | V |
| V_{OL} | ALARM, SDO, SDIO, TDO | $I_{\text{load}} = 100 \mu\text{A}$ | | | 0.2 | | | 0.2 | V |
| | | $I_{\text{load}} = 2 \text{ mA}$ | | | 0.5 | | | 0.5 | V |
| DIGITAL INPUT TIMING SPECIFICATIONS | | | | | | | | | |
| Timing SYSREF input: DACCLKP/N rising edge latching (3) | | | | | | | | | |
| $t_{\text{s}}(\text{SYSREF})$ | Setup time, SYSREFP/N valid to rising edge of DACCLKP/N | | | 50 | | | 50 | | ps |
| $t_{\text{h}}(\text{SYSREF})$ | Hold time, SYSREFP/N valid after rising edge of DACCLKP/N | | | 50 | | | 50 | | ps |

PRODUCT PREVIEW

ELECTRICAL CHARACTERISTICS – DIGITAL SPECIFICATIONS (to be verified) (continued)

 Typical values at $T_A = 25^\circ\text{C}$, full temperature range is $T_{\text{MIN}} = -40^\circ\text{C}$ to $T_{\text{MAX}} = 85^\circ\text{C}$, nominal supplies, unless otherwise noted.

| PARAMETER | TEST CONDITIONS | DAC37J84 | | | DAC38J84 | | | UNIT |
|---------------------------|---|---|-----|-----|----------|-----|-----|---------------|
| | | MIN | TYP | MAX | MIN | TYP | MAX | |
| TIMING SERIAL PORT | | | | | | | | |
| $t_{s(\text{SDENB})}$ | Setup time, SDENB to rising edge of SCLK | 20 | | | 20 | | | ns |
| $t_{s(\text{SDIO})}$ | Setup time, SDIO valid to rising edge of SCLK | 10 | | | 10 | | | ns |
| $t_{h(\text{SDIO})}$ | Hold time, SDIO valid to rising edge of SCLK | 5 | | | 5 | | | ns |
| $t_{(\text{SCLK})}$ | Period of SCLK | Register config7 read (temperature sensor read) | 1 | | 1 | | | μs |
| | | All other registers | 100 | | 100 | | | ns |
| $t_{d(\text{Data})}$ | Data output delay after falling edge of SCLK | | 10 | | 10 | | | ns |
| t_{RESET} | Minimum RESETB pulsewidth | | 25 | | 25 | | | ns |

ELECTRICAL CHARACTERISTICS – AC SPECIFICATIONS (to be verified)

 Typical values at $T_A = 25^\circ\text{C}$, full temperature range is $T_{\text{MIN}} = -40^\circ\text{C}$ to $T_{\text{MAX}} = 85^\circ\text{C}$, nominal supplies, unless otherwise noted.

| PARAMETER | TEST CONDITIONS / COMMENTS | DAC37J84 | | | DAC38J84 | | | UNIT |
|---|------------------------------|---|------|-----|----------|-----|-----|------------------|
| | | MIN | TYP | MAX | MIN | TYP | MAX | |
| ANALOG OUTPUT ⁽¹⁾ | | | | | | | | |
| f_{DAC} | Maximum DAC rate | 4x or higher interpolation | 1600 | | 2500 | | | MSPS |
| | | 2x interpolation | 1600 | | 2460 | | | MSPS |
| | | 1x interpolation | 1230 | | 1230 | | | MSPS |
| $t_{s(\text{DAC})}$ | Output settling time to 0.1% | Transition: Code 0x0000 to 0xFFFF | | | 10 | | 10 | ns |
| t_{pd} | Output propagation delay | DAC outputs are updated on the falling edge of DAC clock. Does not include Digital Latency (see below). | | | 2 | | 2 | ns |
| $t_{r(\text{IOUT})}$ | Output rise time 10% to 90% | | 50 | | 50 | | | ps |
| $t_{f(\text{IOUT})}$ | Output fall time 90% to 10% | | 50 | | 50 | | | ps |
| Digital Latency (F=2, 2x interpolation) | | No interpolation, FIFO off, Mixer off, QMC off, Inverse sinc off | 11 | | 11 | | | DAC clock cycles |
| | | 2x Interpolation | 83 | | 83 | | | |
| | | 4x Interpolation | 211 | | 211 | | | |
| | | 8x Interpolation | 483 | | 483 | | | |
| | | 16x Interpolation | 1051 | | 1051 | | | |
| | | NCO | 48 | | 48 | | | |
| | | QMC | 32 | | 32 | | | |
| | | Inverse Sinc | 36 | | 36 | | | |
| | | PA Protection (<i>pap_dlyten_sel</i> = "0") | 68 | | 68 | | | |
| | | Dithering | 0 | | 0 | | | |
| | | Complex Summation | 0 | | 0 | | | |
| | | Coarse Fractional Delay | 51 | | 51 | | | |
| | | Fine Fractional Delay | 52 | | 52 | | | |
| Power-up Time | DAC Wake-up Time | IOUT current settling to 1% of IOUT_{FS} from deep sleep | | | 90 | | 90 | μs |
| | DAC Sleep Time | IOUT current settling to less than 1% of IOUT_{FS} in deep sleep | | | 90 | | 90 | |

 (1) Measured single ended into 50 Ω load.

ELECTRICAL CHARACTERISTICS – AC SPECIFICATIONS (to be verified) (continued)

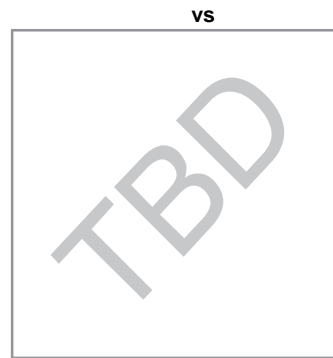
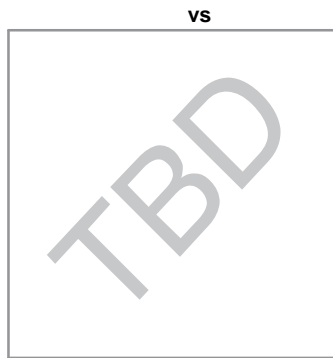
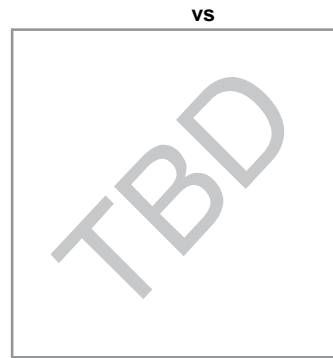
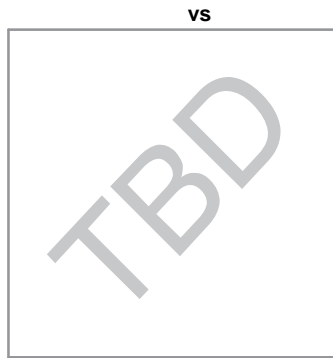
Typical values at $T_A = 25^\circ\text{C}$, full temperature range is $T_{\text{MIN}} = -40^\circ\text{C}$ to $T_{\text{MAX}} = 85^\circ\text{C}$, nominal supplies, unless otherwise noted.

| PARAMETER | TEST CONDITIONS / COMMENTS | DAC37J84 | | | DAC38J84 | | | UNIT |
|---|--|---|------|------|----------|------|--------|------|
| | | MIN | TYP | MAX | MIN | TYP | MAX | |
| AC PERFORMANCE ⁽²⁾ | | | | | | | | |
| SFDR | Spurious Free Dynamic Range (0 to $f_{\text{DAC}}/2$) | $f_{\text{DAC}} = 2.5 \text{ GSPS}, f_{\text{OUT}} = 20 \text{ MHz}, 0 \text{ dBFS}$ | - | - | - | 80 | dBc | |
| | | $f_{\text{DAC}} = 2.5 \text{ GSPS}, f_{\text{OUT}} = 70 \text{ MHz}, 0 \text{ dBFS}$ | - | - | - | 77 | | |
| | | $f_{\text{DAC}} = 2.5 \text{ GSPS}, f_{\text{OUT}} = 150 \text{ MHz}, 0 \text{ dBFS}$ | - | - | - | 70 | | |
| | | $f_{\text{DAC}} = 2.5 \text{ GSPS}, f_{\text{OUT}} = 230 \text{ MHz}, 0 \text{ dBFS}$ | - | - | - | 66 | | |
| | | $f_{\text{DAC}} = 2.5 \text{ GSPS}, f_{\text{OUT}} = 20 \text{ MHz}, -12 \text{ dBFS}$ | - | - | - | 73 | | |
| | | $f_{\text{DAC}} = 2.5 \text{ GSPS}, f_{\text{OUT}} = 70 \text{ MHz}, -12 \text{ dBFS}$ | - | - | - | 70 | | |
| | | $f_{\text{DAC}} = 2.5 \text{ GSPS}, f_{\text{OUT}} = 150 \text{ MHz}, -12 \text{ dBFS}$ | - | - | - | 67 | | |
| | | $f_{\text{DAC}} = 2.5 \text{ GSPS}, f_{\text{OUT}} = 230 \text{ MHz}, -12 \text{ dBFS}$ | - | - | - | 63 | | |
| | | $f_{\text{DAC}} = 1.6 \text{ GSPS}, f_{\text{OUT}} = 20 \text{ MHz}, 0 \text{ dBFS}$ | 84 | 84 | 84 | 84 | | |
| | | $f_{\text{DAC}} = 1.6 \text{ GSPS}, f_{\text{OUT}} = 70 \text{ MHz}, 0 \text{ dBFS}$ | 78 | 78 | 78 | 78 | | |
| | | $f_{\text{DAC}} = 1.6 \text{ GSPS}, f_{\text{OUT}} = 150 \text{ MHz}, 0 \text{ dBFS}$ | 73 | 73 | 73 | 73 | | |
| | | $f_{\text{DAC}} = 1.6 \text{ GSPS}, f_{\text{OUT}} = 230 \text{ MHz}, 0 \text{ dBFS}$ | 68 | 68 | 68 | 68 | | |
| | | $f_{\text{DAC}} = 1.6 \text{ GSPS}, f_{\text{OUT}} = 20 \text{ MHz}, -12 \text{ dBFS}$ | 77 | 77 | 77 | 77 | | |
| | | $f_{\text{DAC}} = 1.6 \text{ GSPS}, f_{\text{OUT}} = 70 \text{ MHz}, -12 \text{ dBFS}$ | 72 | 72 | 72 | 72 | | |
| | | $f_{\text{DAC}} = 1.6 \text{ GSPS}, f_{\text{OUT}} = 150 \text{ MHz}, -12 \text{ dBFS}$ | 68 | 68 | 68 | 68 | | |
| | | $f_{\text{DAC}} = 1.6 \text{ GSPS}, f_{\text{OUT}} = 230 \text{ MHz}, -12 \text{ dBFS}$ | 64 | 64 | 64 | 64 | | |
| IMD3 | Third-order two-tone intermodulation distortion Each tone at -12 dBFS | $f_{\text{DAC}} = 2.5 \text{ GSPS}, f_{\text{OUT}} = 70 \pm 0.5 \text{ MHz}$ | - | - | - | 87 | dBc | |
| | | $f_{\text{DAC}} = 2.5 \text{ GSPS}, f_{\text{OUT}} = 150 \pm 0.5 \text{ MHz}$ | - | - | - | 79 | | |
| | | $f_{\text{DAC}} = 2.5 \text{ GSPS}, f_{\text{OUT}} = 230 \pm 0.5 \text{ MHz}$ | - | - | - | 75 | | |
| | | $f_{\text{DAC}} = 2.0 \text{ GSPS}, f_{\text{OUT}} = 70 \pm 0.5 \text{ MHz}$ | - | - | - | 86 | | |
| | | $f_{\text{DAC}} = 2.0 \text{ GSPS}, f_{\text{OUT}} = 150 \pm 0.5 \text{ MHz}$ | - | - | - | 78 | | |
| | | $f_{\text{DAC}} = 2.0 \text{ GSPS}, f_{\text{OUT}} = 230 \pm 0.5 \text{ MHz}$ | - | - | - | 73 | | |
| | | $f_{\text{DAC}} = 1.6 \text{ GSPS}, f_{\text{OUT}} = 70 \pm 0.5 \text{ MHz}$ | 86 | 86 | 86 | 86 | | |
| | | $f_{\text{DAC}} = 1.6 \text{ GSPS}, f_{\text{OUT}} = 150 \pm 0.5 \text{ MHz}$ | 77 | 77 | 77 | 77 | | |
| $f_{\text{DAC}} = 1.6 \text{ GSPS}, f_{\text{OUT}} = 230 \pm 0.5 \text{ MHz}$ | 71 | 71 | 71 | 71 | | | | |
| NSD | Noise Spectral Density ⁽²⁾ Tone at -7 dBFS | $f_{\text{DAC}} = 2.5 \text{ GSPS}, f_{\text{OUT}} = 70 \text{ MHz}$ | - | - | - | -161 | dBc/Hz | |
| | | $f_{\text{DAC}} = 2.5 \text{ GSPS}, f_{\text{OUT}} = 150 \text{ MHz}$ | - | - | - | -159 | | |
| | | $f_{\text{DAC}} = 2.5 \text{ GSPS}, f_{\text{OUT}} = 230 \text{ MHz}$ | - | - | - | -157 | | |
| | | $f_{\text{DAC}} = 2.0 \text{ GSPS}, f_{\text{OUT}} = 70 \text{ MHz}$ | - | - | - | -162 | | |
| | | $f_{\text{DAC}} = 2.0 \text{ GSPS}, f_{\text{OUT}} = 150 \text{ MHz}$ | - | - | - | -160 | | |
| | | $f_{\text{DAC}} = 2.0 \text{ GSPS}, f_{\text{OUT}} = 230 \text{ MHz}$ | - | - | - | -158 | | |
| | | $f_{\text{DAC}} = 1.6 \text{ GSPS}, f_{\text{OUT}} = 70 \text{ MHz}$ | -161 | -161 | -161 | -161 | | |
| | | $f_{\text{DAC}} = 1.6 \text{ GSPS}, f_{\text{OUT}} = 150 \text{ MHz}$ | -159 | -159 | -159 | -159 | | |
| | | $f_{\text{DAC}} = 1.6 \text{ GSPS}, f_{\text{OUT}} = 230 \text{ MHz}$ | -157 | -157 | -157 | -157 | | |
| ACLR ⁽³⁾ | Adjacent channel leakage ratio, single carrier | $f_{\text{DAC}} = 2.4576 \text{ GSPS}, f_{\text{OUT}} = 70 \text{ MHz}$ | - | - | - | 82 | dBc | |
| | | $f_{\text{DAC}} = 2.4576 \text{ GSPS}, f_{\text{OUT}} = 150 \text{ MHz}$ | - | - | - | 80 | | |
| | | $f_{\text{DAC}} = 2.4576 \text{ GSPS}, f_{\text{OUT}} = 230 \text{ MHz}$ | - | - | - | 78 | | |
| | | $f_{\text{DAC}} = 1.96608 \text{ GSPS}, f_{\text{OUT}} = 70 \text{ MHz}$ | - | - | - | 82 | | |
| | | $f_{\text{DAC}} = 1.96608 \text{ GSPS}, f_{\text{OUT}} = 150 \text{ MHz}$ | - | - | - | 80 | | |
| | | $f_{\text{DAC}} = 1.96608 \text{ GSPS}, f_{\text{OUT}} = 230 \text{ MHz}$ | - | - | - | 76 | | |
| | | $f_{\text{DAC}} = 1.47456 \text{ GSPS}, f_{\text{OUT}} = 70 \text{ MHz}$ | 81 | 81 | 81 | 81 | | |
| | | $f_{\text{DAC}} = 1.47456 \text{ GSPS}, f_{\text{OUT}} = 150 \text{ MHz}$ | 80 | 80 | 80 | 80 | | |
| | | $f_{\text{DAC}} = 1.47456 \text{ GSPS}, f_{\text{OUT}} = 230 \text{ MHz}$ | 76 | 76 | 76 | 76 | | |
| Channel Isolation | | $f_{\text{DAC}} = 2.5 \text{ GSPS}, f_{\text{OUT}} = 20 \text{ MHz}$ | - | - | - | 90 | dBc | |
| | | $f_{\text{DAC}} = 1.6 \text{ GSPS}, f_{\text{OUT}} = 20 \text{ MHz}$ | 90 | 90 | 90 | 90 | | |

(2) 2:1 transformer output termination, 50 Ω doubly terminated load.

(3) Single carrier, W-CDMA with 3.84 MHz BW, 5-MHz spacing, centered at IF. TESTMODEL 1, 10 ms

TYPICAL PERFORMANCE PLOTS



PRODUCT PREVIEW

SERDES INPUT

The RX [7:0]P/N differential inputs are each internally terminated to a common point via 50Ω, as shown in Figure 1.

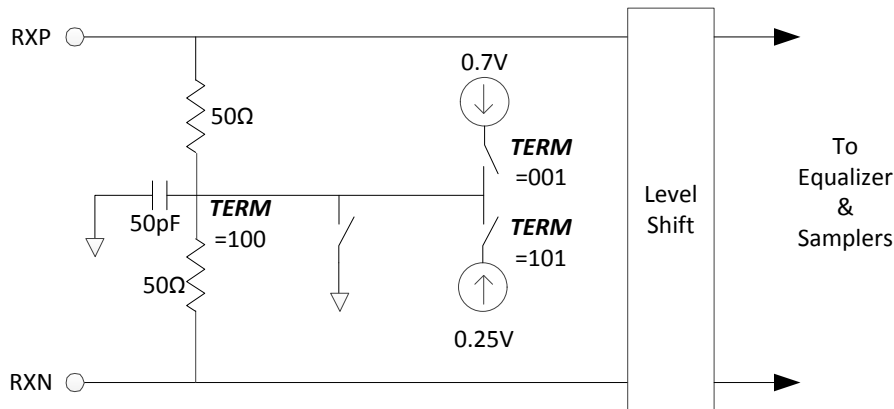


Figure 1. Serial Lane Input Termination

Common mode termination is via a 50pF capacitor to GND. The common mode voltage and termination of the differential signal can be controlled in a number of ways to suit a variety of applications via *rw_cfgrx0* [10:8] (*TERM*), as described in Table 1.

(Note: AC coupling is recommended for JESD204B compliance.)

Table 1. Receiver Termination Selection

| TERM | EFFECT |
|------|---|
| 000 | Reserved |
| 001 | Common point set to 0.7V. This configuration is for AC coupled systems. The transmitter has no effect on the receiver common mode, which is set to optimize the input sensitivity of the receiver. |
| 01x | Reserved |
| 100 | Common point set to GND. This configuration is for applications that require a 0V common mode. |
| 101 | Common point set to 0.25V. This configuration is for applications that require a low common mode. |
| 110 | Reserved |
| 111 | Common point floating. This configuration is for DC coupled systems in which the common mode voltage is set by the attached transmit link partner to 0 and 0.6V. Note: this mode is not compatible with JESD204B. |

Data input is sampled by the differential sensing amplifier using clocks derived from the clock recovery algorithm. The polarity of RXP and RXN can be inverted by setting the **INVPAIR** [7:0] bit of the corresponding lane to “1”. This can potentially simplify PCB layout and improve signal integrity by avoiding the need to swap over the differential signal traces.

Due to processing effects, the devices in the RXP and RXN differential sense amplifiers will not be perfectly matched and there will be some offset in switching threshold. DAC38J84/DAC37J84 family contains circuitry to detect and correct for this offset. This feature can be enabled by setting the *rw_cfgrx0* [23] (**ENOC**) bit to “1”. It is anticipated the most users will enable this feature. During the compensation process, *rw_cfgrx0* [25:24] (**LOOPBACK**) bit must be set to “00”.

Serdes Rate

DAC37J84/DAC38J84 has 8 configurable JESD204B serial lanes. The highest speed of each SerDes lane is 12.5Gbps. Because the primary operating frequency of the SerDes is determined by its reference clock and PLL multiplication factor, there is a limit on the lowest SerDes rate supported, refer to Table 2 for details. To support lower speed application, each receiver should be configured to operate at half, quarter or eighth of the full rate via *rw_cfgrx0* [6:5] (**RATE**).

Table 2. Lane Rate Selection

| RATE | EFFECT |
|------|---|
| 00 | Full rate. Four data samples taken per SerDes PLL output clock cycle. |
| 01 | Half rate. Two data samples taken per SerDes PLL output clock cycle.. |
| 10 | Quarter rate. One data samples taken per SerDes PLL output clock cycle. |
| 11 | Eighth rate. One data samples taken every two SerDes PLL output clock cycles. |

Serdes PLL

DAC37J84/DAC38J84 has two integrated PLLs, one PLL is to provide the clocking of DAC, which will be discussed in a DAC PLL section; the other PLL is to provide the clocking for the high speed SerDes. The reference frequency of the SerDes PLL can be in the range of 100-800MHz nominal, and 300-800MHz optimal.

The reference frequency is derived from DACCLK divided down based on the *serdes_refclk_div* programming, as shown in Figure 2.

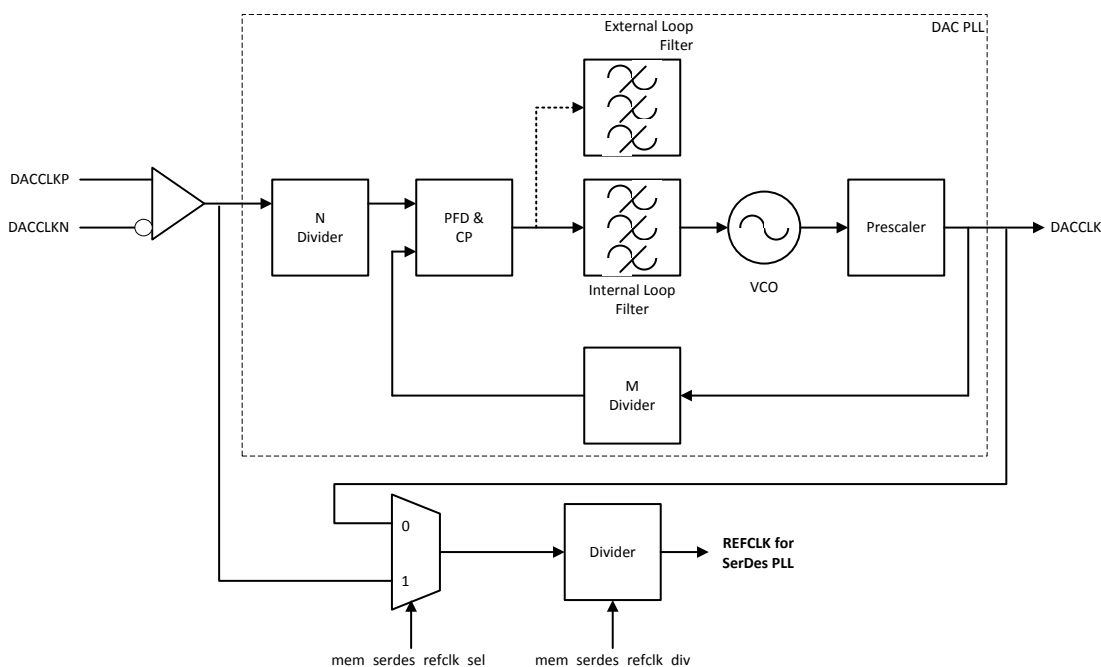


Figure 2. Reference Clock of SerDes PLL

During normal operation, the clock generated by PLL will be 4-25 times the reference frequency, according to the multiply factor selected via *rw_cfgpll* [8:1] (MPY). In order to select the appropriate multiply factor and refclkp/n frequency, it is first necessary to determine the required PLL output clock frequency. The relationship between the PLL output clock frequency and the lane rate is shown in Table 3. Having computed the PLL output frequency, the reference frequency can be obtained by dividing this by the multiply factor specified via MPY.

Note that high multiplication factor settings will be especially sensitive to reference clock jitter, and should not be employed without prior consultation with TI.

Table 3. Relationship Between Lane Rate and SerDes PLL Output Frequency

| RATE | LINE RATE | PLL OUTPUT FREQUENCY |
|---------|-----------|----------------------|
| Full | x Gbps | 0.25x GHz |
| Half | x Gbps | 0.5x GHz |
| Quarter | x Gbps | x GHz |
| Eighth | x Gbps | 2x GHz |

PRODUCT PREVIEW

Table 4. SerDes PLL Modes Selection

| MPY | EFFECT |
|-------------|----------|
| 00010000 | 4x |
| 00010100 | 5x |
| 00011000 | 6x |
| 00100000 | 8x |
| 00100001 | 8.25x |
| 00101000 | 10x |
| 00110000 | 12x |
| 00110010 | 12.5x |
| 00111100 | 15x |
| 01000000 | 16x |
| 01000010 | 16.5x |
| 01010000 | 20x |
| 01011000 | 22x |
| 01100100 | 25x |
| Other codes | reserved |

The wide range of multiply factors combined with the different rate modes means it will often be possible to achieve a given line rate from multiple different reference frequencies. The configuration which utilizes the highest reference frequency achievable is always preferable.

The SerDes PLL VCO must be in the nominal range of 1.5625 - 3.125 GHz. It is necessary to adjust the loop filter depending on the operating frequency of the VCO. To indicate the selection the user must set the *rw_cfgpll* [9] (**VRANGE**) bit. If the PLL output frequency is below 2.17GHz, **VRANGE** should be set high.

Performance of the integrated PLL can be optimized according to the jitter characteristics of the reference clock by setting the appropriate loop bandwidth via *rw_cfgpll* [12:11] (**LB**) bits. The loop bandwidth is obtained by dividing the reference frequency by BWSCALE, where the BWSCALE is a function of both LB and PLL output frequency as shown in [Table 5](#).

Table 5. SerDes PLL Loop Bandwidth Selection

| LB | EFFECT | BWSCALE vs PLL OUTPUT FREQUENCY | | |
|----|---------------------------|---------------------------------|----------|------------|
| | | 3.125 GHz | 2.17 GHz | 1.5625 GHz |
| 00 | Medium loop bandwidth | 13 | 14 | 16 |
| 01 | Ultra high loop bandwidth | 7 | 8 | 8 |
| 10 | Low loop bandwidth | 21 | 23 | 30 |
| 11 | High loop bandwidth | 10 | 11 | 14 |

An approximate loop bandwidth of 8–30MHz is suitable and recommended for most systems where the reference clock is via low jitter clock input buffer. For systems where the reference clock is via a low jitter input cell, but of low quality, an approximate loop bandwidth of less than 8MHz may offer better performance. For systems where the reference clock is cleaned via an ultra low jitter LC-based cleaner PLL, a high loop bandwidth up to 60MHz is more appropriate. Note that the use of ultra high loop bandwidth setting is not recommended for PLL multiply factor of less than 8.

A free running clock output is available when *rw_cfgpll* [15:14] (**ENDIVCLK**) is set high. It runs at a fixed divided-by-5 of the PLL output frequency and has a duty cycle of 50%. A divided-by-16 of this free running clock can be configured to come out the alarm pin during digital test, see *dttest* [11:8] for the specific configuration needed.

SERDES EQUALIZER

All channels of the DAC37J84/DAC38J84 incorporate an adaptive equalizer, which can compensate for channel insertion loss by attenuating the low frequency components with respect to the high frequency components of the signal, thereby reducing inter-symbol interference. Figure 3 shows the response of the equalizer, which can be expressed in terms of the amount of low frequency gain and the frequency up to which this gain is applied (i.e., the frequency of the 'zero'). Above the zero frequency, the gain increases at 6dB/octave until it reaches the high frequency gain.

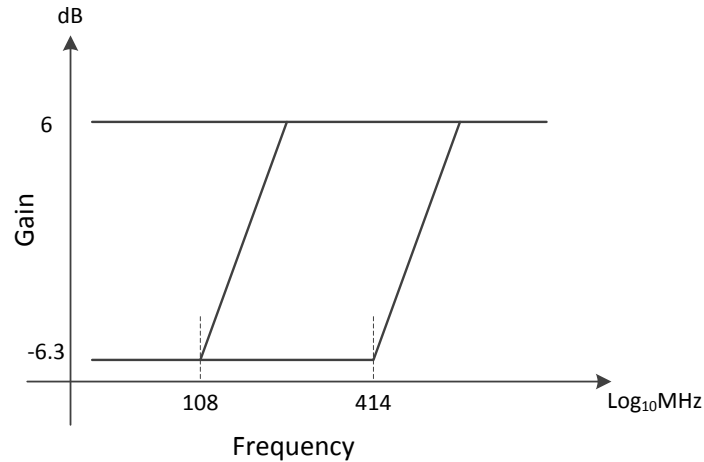


Figure 3. Equalizer Frequency Response

The equalizer can be configured via `rw_cfgrx0[21:19]` (EQ) and `rx_cfgrx0[22]` (EQHLD). Table 6 and Table 7 summarize the options. When enabled, the receiver equalization logic analyzes data patterns and transition times to determine whether the low frequency gain should be increased or decreased. The decision logic is implemented as a voting algorithm with a relatively long analysis interval. The slow time constant that results reduces the probability of incorrect decisions but allows the equalizer to compensate for the relatively stable response of the channel. The lock time for the adaptive equalizer is data dependent, and so it is not possible to specify a generally applicable absolute limit. However, assuming random data, the maximum lock time will be 6×10^6 divided by the CDR activity level. For CDR (`rw_cfgrx0[18:16]`) = 110, this is 1.5×10^6 UI.

When EQ[2] = 0, finer control of gain boost is available using the EQBOOSTi IEEE1500 tuning chain field, as shown in Table 8.

Table 6. Receiver Equalization Configuration

| EQ[1:0] | EFFECT |
|---------|--|
| 0 | <i>No equalization.</i> The equalizer provides a flat response at the maximum gain. This setting may be appropriate if jitter at the receiver occurs predominantly as a result of crosstalk rather than frequency dependent loss. |
| 1 | <i>Fully adaptive equalization.</i> The zero position is determined by the selected operating rate, and the low frequency gain of the equalizer is determined algorithmically by analyzing the data patterns and transition positions in the received data. This setting should be used for most applications. |
| 10 | <i>Precursor equalization analysis.</i> The data patterns and transition positions in the received data are analyzed to determine whether the transmit link partner is applying more or less precursor equalization than necessary. |
| 11 | <i>Postcursor equalization analysis.</i> The data patterns and transition positions in the received data are analyzed to determine whether the transmit link partner is applying more or less postcursor equalization than necessary. |

Table 6. Receiver Equalization Configuration (continued)

| EQ[2] | EFFECT |
|-------|--|
| 0 | Default |
| 1 | <i>Boost.</i> Equalizer gain boosted by 6dB, with a 20% reduction in bandwidth, and an increase of 5mW power consumption. May improve performance over long links. |

Table 7. Receiver Equalizer Hold

| EQHOLD | EFFECT |
|--------|--|
| 0 | <i>Equalizer adaption enabled.</i> The equalizer adaption and analysis algorithm is enabled. This should be the default state. |
| 1 | <i>Equalizer adaption held.</i> The equalizer is held in it's current state. Additionally, the adaption and analysis algorithm is reset. See section 7.2.5.1 for further details.. |

Table 8. Receiver Equalizer Gain Boost

| EQBoost VALUE | GAIN BOOST (dB) | BANDWIDTH CHANGE (%) | POWER INCREASE (mW) |
|---------------|-----------------|----------------------|---------------------|
| 0 | 0 | 0 | 0 |
| 1 | 2 | -30 | 0 |
| 10 | 4 | 10 | 5 |
| 11 | 6 | -20 | 5 |

When EQ is set to 010 or 011, the equalizer is reconfigured to provide analytical data about the amount of pre and post cursor equalization respectively present in the received signal. This can in turn be used to adjust the equalization settings of the transmitting link partner, where a suitable mechanism for communicating this data back to the transmitter exists. Status information is provided via *adtest*[11:8] (EQOVER, EQUNDER), by using the following method:

1. Enable the equalizer by setting EQHLD low and EQ to 001. Allow sufficient time for the equalizer to adapt;
2. Set EQHLD to 1 to lock the equalizer and reset the adaption algorithm. This also causes both EQOVER and EQUNDER to become low;
3. Wait at least 48UI, and proportionately longer if the CDR activity is less than 100%, to ensure the 1 on EQHLD is sampled and acted upon;
4. Set EQ to 010 or 011, and EQHLD to 0. The equalization characteristics of the received signal are analysed (the equalizer response will continue to be locked);
5. Wait at least 150_103UI to allow time for the analysis to occur, proportionately longer if the CDR activity is less than 100%;
6. Examine EQOVER and EQUNDER for results of analysis.
 - If EQOVER is high, it indicates the signal is over equalized;
 - If EQUNDER is high, it indicates the signal is under equalized;
7. Set EQHLD to 1;
8. Repeat items 3–7 if required;
9. Set EQ to 001, and EQHLD to 0 to exit analysis mode and return to normal adaptive equalization.

Note that when changing EQ from one non-zero value to another, EQHLD must already be 1. If this is not the case, there is a chance the equalizer could be reset by a transitory input state (i.e., if EQ is momentarily 000). EQHLD can be set to 0 at the same time as EQ is changed.

As the equalizer adaption algorithm is designed to equalize the post cursor, EQOVER or EQUNDER will only be set during post cursor analysis if the amount of post cursor equalization required is more or less than the adaptive equalizer can provide.

JESD204B DESCRAMBLER

The descrambler is a 16-bit parallel self-synchronous descrambler based on the polynomial $1 + x^{14} + x^{15}$. From the JESD204B specification, the scrambling/descrambling process only occurs on the user data, not on the code group synchronization or the ILA sequence. The descrambler output can be selected to sent out during JESD test, see *jesd_testbus_sel* for the specific configuration needed.

JESD204B FRAME ASSEMBLY

The JESD204B defines the following parameters:

- L is the number of lanes per link
- M is the number of converters per device
- F is the number of octets per frame clock period
- S is the number of samples per frame
- HD is the High-Density bit which controls whether a sample may be divided over more lanes.

[Table 9](#) and [Table 10](#) list the available JESD204B formats for the DAC38J84/DAC37J84. [Table 11](#) and [Table 12](#) list the speed limits of DAC38J84/DAC37J84. The ranges are limited by the Serdes PLL VCO frequency range, the Serdes PLL reference clock range, the maximum Serdes line rate, and the maximum DAC sample frequency.

Table 9. JESD204B Frame Assembly Byte Representation (Quad-channel)

| | LMF = 841 | | | LMF = 442 | | | | LMF = 244 | | | | LMF = 148 | | | | | | | |
|--------|-----------|-----------|-----------|-----------|----------|-----------|----------|-----------|----------|-----------|----------|-----------|----------|-----------|----------|-----------|----------|-----------|----------|
| Lane 0 | DA0[15:8] | DA1[15:8] | DA2[15:8] | DA0[15:8] | DA0[7:0] | DA1[15:8] | DA1[7:0] | DA0[15:8] | DA0[7:0] | DB0[15:8] | DB1[7:0] | DA0[15:8] | DA0[7:0] | DB0[15:8] | DB0[7:0] | DC0[15:8] | DC0[7:0] | DD0[15:8] | DD0[7:0] |
| Lane 1 | DA0[7:0] | DA1[7:0] | DA2[7:0] | DB0[15:8] | DB0[7:0] | DB1[15:8] | DB1[7:0] | DC0[15:8] | DC0[7:0] | DD0[15:8] | DD0[7:0] | | | | | | | | |
| Lane 2 | DB0[15:8] | DB1[15:8] | DB2[15:8] | DC0[15:8] | DC0[7:0] | DC1[15:8] | DC1[7:0] | | | | | | | | | | | | |
| Lane 3 | DB0[7:0] | DB1[7:0] | DB2[7:0] | DD0[15:8] | DD0[7:0] | DD1[15:8] | DD1[7:0] | | | | | | | | | | | | |
| Lane 4 | DC0[15:8] | DC1[15:8] | DC2[15:8] | | | | | | | | | | | | | | | | |
| Lane 5 | DC0[7:0] | DC1[7:0] | DC2[7:0] | | | | | | | | | | | | | | | | |
| Lane 6 | DD0[15:8] | DD1[15:8] | DD2[15:8] | | | | | | | | | | | | | | | | |
| Lane 7 | DD0[7:0] | DD1[7:0] | DD2[7:0] | | | | | | | | | | | | | | | | |

Table 10. JESD204B Frame Assembly Byte Representation (Dual-Channel)

| | LMF = 821 | | | | LMF = 421 | | | | LMF = 222 | | | | LMF = 124 | | | | | | | | | | |
|--------|-----------|----------|----------|--|-----------|----------|----------|----------|-----------|----------|---------|----------|-----------|--|----------|---------|----------|---------|----------|---------|----------|---------|--|
| Lane 0 | I0[15:8] | I2[15:8] | I4[15:8] | | I0[15:8] | I1[15:8] | I2[15:8] | I3[15:8] | | I0[15:8] | I0[7:0] | I1[15:8] | I1[7:0] | | I0[15:8] | I0[7:0] | Q0[15:8] | Q0[7:0] | I1[15:8] | I1[7:0] | Q1[15:8] | Q1[7:0] | |
| Lane 1 | I0[7:0] | I2[7:0] | I4[7:0] | | I0[7:0] | I1[7:0] | I2[7:0] | I3[7:0] | | Q0[15:8] | Q0[7:0] | Q1[15:8] | Q1[7:0] | | | | | | | | | | |
| Lane 2 | I1[15:8] | I3[15:8] | I5[15:8] | | Q0[15:8] | Q1[15:8] | Q2[15:8] | Q3[15:8] | | | | | | | | | | | | | | | |
| Lane 3 | I1[7:0] | I3[7:0] | I5[7:0] | | Q0[7:0] | Q1[7:0] | Q2[7:0] | Q3[7:0] | | | | | | | | | | | | | | | |
| Lane 4 | Q0[15:8] | Q2[15:8] | Q4[15:8] | | | | | | | | | | | | | | | | | | | | |
| Lane 5 | Q0[7:0] | Q2[7:0] | Q4[7:0] | | | | | | | | | | | | | | | | | | | | |
| Lane 6 | Q1[15:8] | Q3[15:8] | Q5[15:8] | | | | | | | | | | | | | | | | | | | | |
| Lane 7 | Q1[7:0] | Q3[7:0] | Q5[7:0] | | | | | | | | | | | | | | | | | | | | |

PRODUCT PREVIEW

Table 11. DAC38J84 Speed Limits

| L | M | F | S | HD | Interpolation | Min f_{SERDES} (Gbps) | Max f_{SERDES} (Gbps) | Min f_{DATA} (MSPS) | Max f_{DATA} (MSPS) | Min f_{DAC} (MSPS) | Max f_{DAC} (MSPS) | Max BW (MHz) |
|---|---|---|---|----|---------------|----------------------------|----------------------------|--------------------------|--------------------------|-------------------------|-------------------------|-----------------|
| 8 | 4 | 1 | 1 | 1 | 1 | 1.5625 | 12.3 | 156.25 | 1230 | 156.25 | 1230 | 1230 |
| | | | | | 2 | 0.78125 | 12.3 | 78.125 | 1230 | 156.25 | 2460 | 984 |
| | | | | | 4 | 0.78125 | 6.25 | 78.125 | 625 | 312.5 | 2500 | 500 |
| | | | | | 8 | 0.78125 | 3.125 | 78.125 | 312.5 | 625 | 2500 | 250 |
| | | | | | 16 | 0.78125 | 1.5625 | 78.125 | 156.25 | 1250 | 2500 | 125 |
| 4 | 4 | 2 | 1 | 0 | 1 | 2 | 12.5 | 100 | 625 | 100 | 625 | 625 |
| | | | | | 2 | 1 | 12.5 | 50 | 625 | 100 | 1250 | 500 |
| | | | | | 4 | 0.78125 | 12.5 | 39.0625 | 625 | 156.25 | 2500 | 500 |
| | | | | | 8 | 0.78125 | 6.25 | 39.0625 | 312.5 | 312.5 | 2500 | 250 |
| | | | | | 16 | 0.78125 | 3.125 | 39.0625 | 156.25 | 625 | 2500 | 125 |
| 2 | 4 | 4 | 1 | 0 | 1 | N/A | N/A | N/A | N/A | N/A | N/A | N/A |
| | | | | | 2 | 2 | 12.5 | 50 | 312.5 | 100 | 625 | 250 |
| | | | | | 4 | 1 | 12.5 | 25 | 312.5 | 100 | 1250 | 250 |
| | | | | | 8 | 0.78125 | 12.5 | 19.53125 | 312.5 | 156.25 | 2500 | 250 |
| | | | | | 16 | 0.78125 | 6.25 | 19.53125 | 156.25 | 312.5 | 2500 | 125 |
| 1 | 4 | 8 | 1 | 0 | 1 | N/A | N/A | N/A | N/A | N/A | N/A | N/A |
| | | | | | 2 | N/A | N/A | N/A | N/A | N/A | N/A | N/A |
| | | | | | 4 | 2 | 12.5 | 25 | 156.25 | 100 | 625 | 125 |
| | | | | | 8 | 1 | 12.5 | 12.5 | 156.25 | 100 | 1250 | 125 |
| | | | | | 16 | 0.78125 | 12.5 | 9.765625 | 156.25 | 156.25 | 2500 | 125 |
| 8 | 2 | 1 | 2 | 1 | 1 | 0.78125 | 6.15 | 156.25 | 1230 | 156.25 | 1230 | 1230 |
| | | | | | 2 | 0.78125 | 6.15 | 156.25 | 1230 | 312.5 | 2460 | 984 |
| | | | | | 4 | 0.78125 | 3.125 | 156.25 | 625 | 625 | 2500 | 500 |
| | | | | | 8 | 0.78125 | 1.5625 | 156.25 | 312.5 | 1250 | 2500 | 250 |
| | | | | | 16 | N/A | N/A | N/A | N/A | N/A | N/A | N/A |
| 4 | 2 | 1 | 1 | 1 | 1 | 1 | 12.3 | 100 | 1230 | 100 | 1230 | 1230 |
| | | | | | 2 | 0.78125 | 12.3 | 78.125 | 1230 | 156.25 | 2460 | 984 |
| | | | | | 4 | 0.78125 | 6.25 | 78.125 | 625 | 312.5 | 2500 | 500 |
| | | | | | 8 | 0.78125 | 3.125 | 78.125 | 3.125 | 625 | 2500 | 250 |
| | | | | | 16 | 0.78125 | 1.5625 | 78.125 | 156.25 | 1250 | 2500 | 125 |
| 2 | 2 | 2 | 1 | 0 | 1 | 2 | 12.5 | 100 | 625 | 100 | 625 | 625 |
| | | | | | 2 | 1 | 12.5 | 50 | 625 | 100 | 1250 | 500 |
| | | | | | 4 | 0.78125 | 12.5 | 39.0625 | 625 | 156.25 | 2500 | 500 |
| | | | | | 8 | 0.78125 | 6.25 | 39.0625 | 312.5 | 312.5 | 2500 | 250 |
| | | | | | 16 | 0.78125 | 3.125 | 39.0625 | 156.25 | 625 | 2500 | 125 |
| 1 | 2 | 4 | 1 | 0 | 1 | N/A | N/A | N/A | N/A | N/A | N/A | N/A |
| | | | | | 2 | 2 | 12.5 | 50 | 312.5 | 100 | 625 | 250 |
| | | | | | 4 | 1.5625 | 12.5 | 39.0625 | 312.5 | 156.25 | 1250 | 250 |
| | | | | | 8 | 1.5625 | 12.5 | 39.0625 | 312.5 | 312.5 | 2500 | 250 |
| | | | | | 16 | 1.5625 | 6.25 | 39.0625 | 156.25 | 625 | 2500 | 125 |

L = # of lanes

M = # of DACs

F = # of Octets per lane per frame cycle

S = # of Samples per DAC per frame cycle

HD = High density mode

 f_{SERDES} = Serdes line rate

 f_{DATA} = Input data rate per DAC

 f_{DAC} = Output sample rate

 BW = Complex bandwidth (= $f_{DATA} \times 0.8$ with interpolation, = f_{DATA} without interpolation)

Table 12. DAC37J84 Speed Limits

| L | M | F | S | HD | Interpolation | Min f_{SERDES} (Gbps) | Max f_{SERDES} (Gbps) | Min f_{DATA} (MSPS) | Max f_{DATA} (MSPS) | Min f_{DAC} (MSPS) | Max f_{DAC} (MSPS) | Max BW (MHz) |
|---|---|---|---|----|---------------|-------------------------|-------------------------|-----------------------|-----------------------|----------------------|----------------------|--------------|
| 8 | 4 | 1 | 1 | 1 | 1 | 1.5625 | 12.3 | 156.25 | 1230 | 156.25 | 1230 | 1230 |
| | | | | | 2 | 0.78125 | 8 | 78.125 | 800 | 156.25 | 1600 | 640 |
| | | | | | 4 | 0.78125 | 4 | 78.125 | 400 | 312.5 | 1600 | 320 |
| | | | | | 8 | 0.78125 | 2 | 78.125 | 200 | 625 | 1600 | 160 |
| | | | | | 16 | 0.78125 | 1 | 78.125 | 100 | 1250 | 1600 | 80 |
| 4 | 4 | 2 | 1 | 0 | 1 | 2 | 12.5 | 100 | 625 | 100 | 625 | 625 |
| | | | | | 2 | 1 | 12.5 | 50 | 625 | 100 | 1250 | 500 |
| | | | | | 4 | 0.78125 | 8 | 39.0625 | 400 | 156.25 | 1600 | 320 |
| | | | | | 8 | 0.78125 | 4 | 39.0625 | 200 | 312.5 | 1600 | 160 |
| | | | | | 16 | 0.78125 | 2 | 39.0625 | 100 | 625 | 1600 | 80 |
| 2 | 4 | 4 | 1 | 0 | 1 | N/A | N/A | N/A | N/A | N/A | N/A | N/A |
| | | | | | 2 | 2 | 12.5 | 50 | 312.5 | 100 | 625 | 250 |
| | | | | | 4 | 1 | 12.5 | 25 | 312.5 | 100 | 1250 | 250 |
| | | | | | 8 | 0.78125 | 8 | 19.53125 | 200 | 156.25 | 1600 | 160 |
| | | | | | 16 | 0.78125 | 4 | 19.53125 | 100 | 312.5 | 1600 | 80 |
| 1 | 4 | 8 | 1 | 0 | 1 | N/A | N/A | N/A | N/A | N/A | N/A | N/A |
| | | | | | 2 | N/A | N/A | N/A | N/A | N/A | N/A | N/A |
| | | | | | 4 | 2 | 12.5 | 25 | 156.25 | 100 | 625 | 125 |
| | | | | | 8 | 1 | 12.5 | 12.5 | 156.25 | 100 | 1250 | 125 |
| | | | | | 16 | 0.78125 | 8 | 9.765625 | 100 | 156.25 | 1600 | 80 |
| 8 | 2 | 1 | 2 | 1 | 1 | 0.78125 | 6.15 | 156.25 | 1230 | 156.25 | 1230 | 1230 |
| | | | | | 2 | 0.78125 | 4 | 156.25 | 800 | 312.5 | 1600 | 640 |
| | | | | | 4 | 0.78125 | 2 | 156.25 | 400 | 625 | 1600 | 320 |
| | | | | | 8 | 0.78125 | 1 | 156.25 | 200 | 1250 | 1600 | 160 |
| | | | | | 16 | N/A | N/A | N/A | N/A | N/A | N/A | N/A |
| 4 | 2 | 1 | 1 | 1 | 1 | 1 | 12.3 | 100 | 1230 | 100 | 1230 | 1230 |
| | | | | | 2 | 0.78125 | 8 | 78.125 | 800 | 156.25 | 1600 | 640 |
| | | | | | 4 | 0.78125 | 4 | 78.125 | 400 | 312.5 | 1600 | 320 |
| | | | | | 8 | 0.78125 | 2 | 78.125 | 200 | 625 | 1600 | 160 |
| | | | | | 16 | 0.78125 | 1 | 78.125 | 100 | 1250 | 1600 | 80 |
| 2 | 2 | 2 | 1 | 0 | 1 | 2 | 12.5 | 100 | 625 | 100 | 625 | 625 |
| | | | | | 2 | 1 | 12.5 | 50 | 625 | 100 | 1250 | 500 |
| | | | | | 4 | 0.78125 | 8 | 39.0625 | 400 | 156.25 | 1600 | 320 |
| | | | | | 8 | 0.78125 | 4 | 39.0625 | 200 | 312.5 | 1600 | 160 |
| | | | | | 16 | 0.78125 | 2 | 39.0625 | 100 | 625 | 1600 | 80 |
| 1 | 2 | 4 | 1 | 0 | 1 | N/A | N/A | N/A | N/A | N/A | N/A | N/A |
| | | | | | 2 | 2 | 12.5 | 50 | 312.5 | 100 | 625 | 250 |
| | | | | | 4 | 1.5625 | 12.5 | 39.0625 | 312.5 | 156.25 | 1250 | 250 |
| | | | | | 8 | 1.5625 | 8 | 39.0625 | 200 | 312.5 | 1600 | 160 |
| | | | | | 16 | 1.5625 | 4 | 39.0625 | 100 | 625 | 1600 | 80 |

L = # of lanes
 M = # of DACs
 F = # of Octets per lane per frame cycle
 S = # of Samples per DAC per frame cycle
 HD = High density mode
 f_{SERDES} = Serdes line rate
 f_{DATA} = Input data rate per DAC
 f_{DAC} = Output sample rate
 BW = Complex bandwidth (= $f_{DATA} \times 0.8$ with interpolation, = f_{DATA} without interpolation)

PRODUCT PREVIEW

SERIAL PERIPHERAL INTERFACE (SPI)

The serial port of the DAC37J84/DAC38J84 is a flexible serial interface which communicates with industry standard microprocessors and microcontrollers. The interface provides read/write access to all registers used to define the operating modes of DAC37J84/DAC38J84. It is compatible with most synchronous transfer formats and can be configured as a 3 or 4 pin interface by *sif4_ena* in register *config2*. In both configurations, SCLK is the serial interface input clock and SDENB is serial interface enable. For 3 pin configuration, SDIO is a bidirectional pin for both data in and data out. For 4 pin configuration, SDIO is bidirectional and SDO is data out only. Data is input into the device with the rising edge of SCLK. Data is output from the device on the falling edge of SCLK.

Each read/write operation is framed by signal SDENB (Serial Data Enable Bar) asserted low. The first frame byte is the instruction cycle which identifies the following data transfer cycle as read or write as well as the 7-bit address to be accessed. Table 13 indicates the function of each bit in the instruction cycle and is followed by a detailed description of each bit. The data transfer cycle consists of two bytes.

Table 13. Instruction Byte of the Serial Interface

| | MSB | | | | | | | LSB |
|-------------|-----|----|----|----|----|----|----|-----|
| Bit | 7 | 6 | 5 | 4 | 3 | 2 | 1 | 0 |
| Description | R/W | A6 | A5 | A4 | A3 | A2 | A1 | A0 |

R/W Identifies the following data transfer cycle as a read or write operation. A high indicates a read operation from DAC37J84/DAC38J84 and a low indicates a write operation to DAC37J84/DAC38J84.

[A6 : A0] Identifies the address of the register to be accessed during the read or write operation.

Figure 4 shows the serial interface timing diagram for a DAC37J84/DAC38J84 write operation. SCLK is the serial interface clock input to DAC37J84/DAC38J84. Serial data enable SDENB is an active low input to DAC37J84/DAC38J84. SDIO is serial data in. Input data to DAC37J84/DAC38J84 is clocked on the rising edges of SCLK.

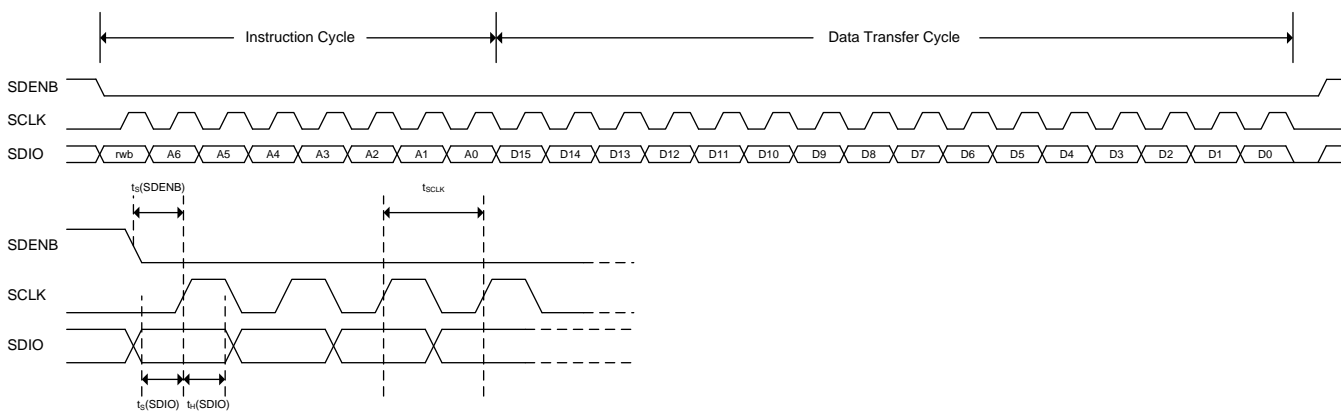


Figure 4. Serial Interface Write Timing Diagram

Figure 5 shows the serial interface timing diagram for a DAC37J84/DAC38J84 read operation. SCLK is the serial interface clock input to DAC37J84/DAC38J84. Serial data enable SDENB is an active low input to DAC37J84/DAC38J84. SDIO is serial data in during the instruction cycle. In 3 pin configuration, SDIO is data out from the DAC37J84/DAC38J84 during the data transfer cycle, while SDO is in a high-impedance state. In 4 pin configuration, both SDIO and SDO are data out from the DAC37J84/DAC38J84 during the data transfer cycle. At the end of the data transfer, SDIO and SDO will output low on the final falling edge of SCLK until the rising edge of SDENB when they will 3-state.

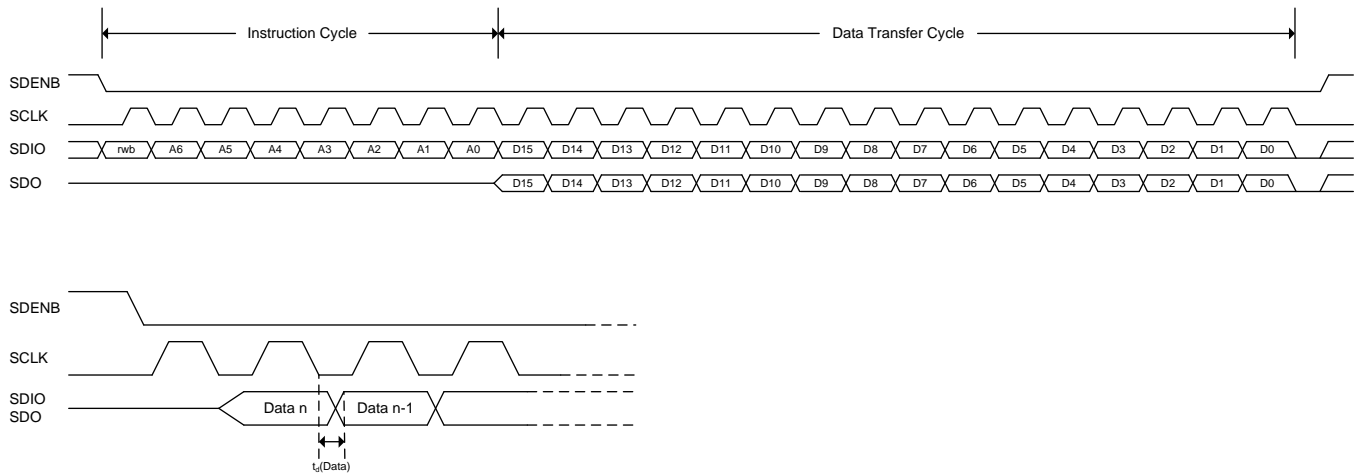


Figure 5. Serial Interface Read Timing Diagram

In the SIF interface there are four types of registers:

- **NORMAL:** The NORMAL register type allows data to be written and read from. All 16-bits of the data are registered at the same time. There is no synchronizing with an internal clock thus all register writes are asynchronous with respect to internal clocks. There are three subtypes of NORMAL:
 - **AUTOSYNC:** A NORMAL register that causes a sync to be generated after the write is finished. These are used when it is desirable to synchronize the block after writing the register or in the case of a single field that spans across multiple registers. For instance, the NCO requires three 16-bit register writes to set the frequency. Upon writing the last of these registers an autosync is generated to deliver the entire field to the NCO block at once, rather than in pieces after each individual register write. For a field that spans multiple registers, all non-AUTOSYNC registers for the field must be written first before the actual AUTOSYNC register.
 - **No RESET Value:** These are NORMAL registers, but the reset value **cannot** be guaranteed. This could be because the register has some read_only bits or some internal logic partially controls the bit values.
- **READ_ONLY:** Registers that can be read from but not written to.
- **WRITE_TO_CLEAR:** These registers are just like NORMAL registers with one exception. They can be written and read, however, when the internal logic asynchronously sets a bit high in one of these registers, that bit stays high until it is written to '0'. This way interrupts will be captured and stay constant until cleared by the user. In DAC37J84/DAC38J84, register *config100-108* are WRTE_TO_CLEAR registers.

Table 14. Register Map

| Name | Address | Default | (MSB) Bit 15 | Bit 14 | Bit 13 | Bit 12 | Bit 11 | Bit 10 | Bit 9 | Bit 8 | Bit 7 | Bit 6 | Bit 5 | Bit 4 | Bit 3 | Bit 2 | Bit 1 | (LSB) Bit 0 | |
|----------|---------|---------|------------------------------|------------------|------------------------------|-------------------|-------------------------|-----------------|----------|----------|-----------------------|--------------------------|-----------------|---------------------------|-----------------------|---------------|------------|-----------------|-----------------|
| config0 | 0x00 | 0x0218 | qmc_offsetab_ena | qmc_offsetcd_ena | qmc_corrab_ena | qmc_corrccd_ena | interp(3:0) | | | | | alarm_zer_ostxenable_ena | outsum_ena | alarm_zeros_jesd_data_ena | alarm_out_ena | alarm_out_pol | pap_ena | inv_sinc_ab_ena | inv_sinc_cd_ena |
| config1 | 0x01 | 0x0003 | sfrac_ena_ab | sfrac_ena_cd | lfrac_ena_ab | lfrac_ena_cd | sfrac_sel_ab | sfrac_sel_cd | reserved | reserved | daca_compliment | dacb_compliment | dacc_compliment | dacd_compliment | reserved | reserved | reserved | reserved | |
| config2 | 0x02 | 0x2002 | dac_bitwidth(1:0) | | zer_invalid_data | shorttest_ena | reserved | reserved | reserved | reserved | sif4_ena | mixer_ena | mixer_gain | nco_ena | reserved | reserved | twos | sif_reset | |
| config3 | 0x03 | 0xF380 | coarse_dac(3:0) | | | | reserved | | | | | fif_error_zeros_data_ena | reserved | | | | | sif_tenable | |
| config4 | 0x04 | 0x00FF | alarms_mask(15:0) | | | | | | | | | | | | | | | | |
| config5 | 0x05 | 0xFFFF | alarms_mask(31:16) | | | | | | | | | | | | | | | | |
| config6 | 0x06 | 0xFFFF | alarms_mask(47:32) | | | | | | | | | | | | | | | | |
| config7 | 0x07 | 0x0000 | memin_tempdata(7:0) | | | | | | | | reserved | | | | memin_lane_skew(4:0) | | | | |
| config8 | 0x08 | 0x0000 | reserved | reserved | reserved | qmc_offseta(12:0) | | | | | | | | | | | | | |
| config9 | 0x09 | 0x0000 | reserved | reserved | reserved | qmc_offsetb(12:0) | | | | | | | | | | | | | |
| config10 | 0x0A | 0x0000 | reserved | reserved | reserved | qmc_offsetc(12:0) | | | | | | | | | | | | | |
| config11 | 0x0B | 0x0000 | reserved | reserved | reserved | qmc_offsetd(12:0) | | | | | | | | | | | | | |
| config12 | 0x0C | 0x0400 | reserved | reserved | reserved | reserved | reserved | qmc_gaina(10:0) | | | | | | | | | | | |
| config13 | 0x0D | 0x0400 | fs8 | fs4 | fs2 | fsm4 | reserved | qmc_gainb(10:0) | | | | | | | | | | | |
| config14 | 0x0E | 0x0400 | reserved | reserved | reserved | reserved | reserved | qmc_gainc(10:0) | | | | | | | | | | | |
| config15 | 0x0F | 0x0400 | output_delayab_reserved(1:0) | | output_delaycd_reserved(1:0) | | reserved | qmc_gaind(10:0) | | | | | | | | | | | |
| config16 | 0x10 | 0x0000 | reserved | reserved | reserved | reserved | qmc_phaseab(11:0) | | | | | | | | | | | | |
| config17 | 0x11 | 0x0000 | reserved | reserved | reserved | reserved | qmc_phasecd(11:0) | | | | | | | | | | | | |
| config18 | 0x12 | 0x0000 | phaseoffsetab(15:0) | | | | | | | | | | | | | | | | |
| config19 | 0x13 | 0x0000 | phaseoffsetcd(15:0) | | | | | | | | | | | | | | | | |
| config20 | 0x14 | 0x0000 | phaseaddab(15:0) | | | | | | | | | | | | | | | | |
| config21 | 0x15 | 0x0000 | phaseaddab(31:16) | | | | | | | | | | | | | | | | |
| config22 | 0x16 | 0x0000 | phaseaddab(47:32) | | | | | | | | | | | | | | | | |
| config23 | 0x17 | 0x0000 | phaseaddcd(15:0) | | | | | | | | | | | | | | | | |
| config24 | 0x18 | 0x0000 | phaseaddcd(31:16) | | | | | | | | | | | | | | | | |
| config25 | 0x19 | 0x0000 | phaseaddcd(47:32) | | | | | | | | | | | | | | | | |
| config26 | 0x1A | 0x0020 | reserved | | | | | | | reserved | vbgr_sleep | biasopamp_sleep | tsense_sleep | pll_sleep | clkrecv_sleep | daca_sleep | dacb_sleep | dacc_sleep | dacd_sleep |
| config27 | 0x1B | 0x0000 | extref_ena | dtest_lane(2:0) | | | dtest(3:0) | | | | reserved | reserved | atest(5:0) | | | | | | |
| config28 | 0x1C | 0x0000 | reserved | | | | | | | | | | | | | | | | |
| config29 | 0x1D | 0x0000 | reserved | | | | | | | | | | | | | | | | |
| config30 | 0x1E | 0x1111 | syncsel_qmoffsetab(3:0) | | | | syncsel_qmoffsetcd(3:0) | | | | syncsel_qmcorrab(3:0) | | | | syncsel_qmcorrcd(3:0) | | | | |
| config31 | 0x1F | 0x1140 | syncsel_mixerab(3:0) | | | | syncsel_mixercd(3:0) | | | | syncsel_nco(3:0) | | | | reserved | sif_sync | reserved | | |

PRODUCT PREVIEW

Table 14. Register Map (continued)

| Name | Address | Default | (MSB) Bit 15 | Bit 14 | Bit 13 | Bit 12 | Bit 11 | Bit 10 | Bit 9 | Bit 8 | Bit 7 | Bit 6 | Bit 5 | Bit 4 | Bit 3 | Bit 2 | Bit 1 | (LSB) Bit 0 | |
|----------|---------|---------|----------------------|------------------------|-------------------|-----------------------|-------------------|----------|--------------------------|--------------|--------------------|--------------------|--------------------|-----------------------|--------------------|------------|--------------------|----------------|--|
| config32 | 0x20 | 0x0000 | syncsel_dither(3:0) | | | reserved | | | syncsel_pap(3:0) | | | syncsel_fir5a(3:0) | | | | | | | |
| config33 | 0x21 | 0x0000 | reserved | | | | | | | | | | | | | | | | |
| config34 | 0x22 | 0x1B1B | patha_in_sel(1:0) | | pathb_in_sel(1:0) | | pathc_in_sel(1:0) | | pathd_in_sel(1:0) | | patha_out_sel(1:0) | | pathb_out_sel(1:0) | | pathc_out_sel(1:0) | | pathd_out_sel(1:0) | | |
| config35 | 0x23 | 0xFFFF | sleep_cntl(15:0) | | | | | | | | | | | | | | | | |
| config36 | 0x24 | 0x0000 | reserved | | | | | | cdrvser_sysref_mode(2:0) | | | reserved | | reserved | | | | | |
| config37 | 0x25 | 0x0000 | clkjesd_div(2:0) | | | reserved | | | reserved | | | reserved | | | reserved | | reserved | | |
| config38 | 0x26 | | dither_ena(3:0) | | | dither_mixer_ena(3:0) | | | dither_sra_sel(3:0) | | | reserved | | reserved | dither_zero | | | | |
| config39 | 0x27 | 0x0000 | reserved(15:0) | | | | | | | | | | | | | | | | |
| config40 | 0x28 | 0x0000 | reserved(15:0) | | | | | | | | | | | | | | | | |
| config41 | 0x29 | 0x0000 | reserved(15:0) | | | | | | | | | | | | | | | | |
| config42 | 0x2A | 0x0000 | reserved(15:0) | | | | | | | | | | | | | | | | |
| config43 | 0x2B | 0x0000 | reserved(15:0) | | | | | | | | | | | | | | | | |
| config44 | 0x2C | 0x0000 | reserved(15:0) | | | | | | | | | | | | | | | | |
| config45 | 0x2D | 0x0000 | reserved | reserved | | | | | | | | | | pap_dlylen_sel | pap_gain(2:0) | | | | |
| config46 | 0x2E | 0xFFFF | pap_vth(15:0) | | | | | | | | | | | | | | | | |
| config47 | 0x2F | 0x0004 | reserved | titest_dieid_read_ena | reserved | reserved | | | | | | | | reserved | reserved | sifdac_ena | | | |
| config48 | 0x30 | 0x0000 | sifdac(15:0) | | | | | | | | | | | | | | | | |
| config49 | 0x31 | 0x0000 | lockdet_adj(2:0) | | | pll_reset | pll_ndivsync_ena | pll_ena | pll_cp(1:0) | | pll_n(4:0) | | | memin_pll_lfvolt(2:0) | | | | | |
| config50 | 0x32 | 0x0000 | pll_m(7:0) | | | | | | | pll_p(3:0) | | | reserved | | | | | | |
| config51 | 0x33 | 0x0100 | pll_vcose | pll_vco(5:0) | | | | | pll_vcoitune(1:0) | | pll_cp_adj(4:0) | | | reserved | | | | | |
| config52 | 0x34 | 0x0000 | syncb_lvds_lopwr | syncb_lvds_lopwra | syncb_lvds_lpsel | syncb_lvds_effuse_sel | reserved | reserved | lvds_sleep | lvds_sub_ena | reserved(6:0) | | | | | | | | |
| config53 | 0x35 | 0x0000 | reserved | | | reserved | | | reserved | | | reserved | | | | | | | |
| config54 | 0x36 | 0x0000 | reserved | | | | | | | | | | | | | | | | |
| config55 | 0x37 | 0x0000 | reserved | | | | | | | | | | | | | | | | |
| config56 | 0x38 | 0x0000 | reserved | | | | | | | | | | | | | | | | |
| config57 | 0x39 | 0x0000 | reserved | | | | | | | | | | | | | | | | |
| config58 | 0x3A | 0x0000 | reserved | | | | | | | | | | | | | | | | |
| config59 | 0x3B | 0x0000 | serdes_clk_sel | serdes_refclk_div(3:0) | | | reserved | | | | | | reserved | | | | | | |
| config60 | 0x3C | 0x0000 | rw_cfgpll(15:0) | | | | | | | | | | | | | | | | |
| config61 | 0x3D | 0x0000 | reserved | rw_cfggrx0(14:0) | | | | | | | | | | | | | | | |
| config62 | 0x3E | 0x0000 | rw_cfggrx0(15:0) | | | | | | | | | | | | | | | | |
| config63 | 0x3F | 0x0000 | reserved | | | | | | INVPAIR(7:0) | | | | | | | | | | |
| config64 | 0x40 | 0x0000 | reserved | | | | | | | | | | | | | | | | |
| config65 | 0x41 | 0x0000 | errorcnt_link0(15:0) | | | | | | | | | | | | | | | | |
| config66 | 0x42 | 0x0000 | errorcnt_link1(15:0) | | | | | | | | | | | | | | | | |

Table 14. Register Map (continued)

| Name | Address | Default | (MSB) Bit 15 | Bit 14 | Bit 13 | Bit 12 | Bit 11 | Bit 10 | Bit 9 | Bit 8 | Bit 7 | Bit 6 | Bit 5 | Bit 4 | Bit 3 | Bit 2 | Bit 1 | (LSB) Bit 0 | | | | |
|----------|---------|---------|----------------------|--------|------------------------|--------|----------------|--------|--------------------------|-------|-----------------------------|-------|----------------------|-------|-------------------|-------|------------------------|----------------|-------------------|---------------------|------------------------|--|
| config67 | 0x43 | 0x0000 | errorcnt_link2(15:0) | | | | | | | | | | | | | | | | | | | |
| config68 | 0x44 | 0x0000 | errorcnt_link3(15:0) | | | | | | | | | | | | | | | | | | | |
| config69 | 0x45 | 0x0000 | reserved | | | | | | | | | | | | | | | | | | | |
| config70 | 0x46 | 0x0044 | lid0(4:0) | | | | lid1(4:0) | | | | lid2(4:0) | | | | reserved | | | | | | | |
| config71 | 0x47 | 0x190A | lid3(4:0) | | | | lid4(4:0) | | | | lid5(4:0) | | | | reserved | | | | | | | |
| config72 | 0x48 | 0x31C3 | lid6(4:0) | | | | lid7(4:0) | | | | reserved | | subclassv(2:0) | | | | jesdv | | | | | |
| config73 | 0x49 | 0x0000 | link_assign(15:0) | | | | | | | | | | | | | | | | | | | |
| config74 | 0x4A | 0x001E | lane_ena(7:0) | | | | | | | | jesd_test_seq(1:0) | | dual | | init_state(3:0) | | | jesd_reset_n | | | | |
| config75 | 0x4B | 0x0000 | reserved | | | | rbd_m1(4:0) | | | | f_m1(7:0) | | | | | | | | | | | |
| config76 | 0x4C | 0x0000 | reserved | | | | k_m1(4:0) | | | | reserved | | reserved | | reserved | | l_m1(4:0) | | | | | |
| config77 | 0x4D | 0x0300 | m_m1(7:0) | | | | | | | | reserved | | | | | | | | s_m1(4:0) | | | |
| config78 | 0x4E | 0x0F0F | reserved | | | | nprime_m1(4:0) | | | | reserved | | hd | | scr | | n_m1(4:0) | | | | | |
| config79 | 0x4F | 0x1CC1 | match_data(7:0) | | | | | | | | match_specific | | match_ctrl | | no_lane_sync | | reserved | | | jesd_commaalign_ena | | |
| config80 | 0x50 | 0x0000 | adjcnt_link0(3:0) | | | | adjdir_link0 | | bid_link0(3:0) | | | | cf_link0(4:0) | | | | cs_link0(1:0) | | | | | |
| config81 | 0x51 | 0x00FF | did_link0(7:0) | | | | | | | | sync_request_ena_link0(7:0) | | | | | | | | | | | |
| config82 | 0x52 | 0x00FF | reserved | | | | | | disable_err_report_link0 | | phadj_link0 | | error_ena_link0(7:0) | | | | | | | | | |
| config83 | 0x53 | 0x0000 | adjcnt_link1(3:0) | | | | adjdir_link1 | | bid_link1(3:0) | | | | cf_link1(4:0) | | | | cs_link1(1:0) | | | | | |
| config84 | 0x54 | 0x00FF | did_link1(7:0) | | | | | | | | sync_request_ena_link1(7:0) | | | | | | | | | | | |
| config85 | 0x55 | 0x00FF | reserved | | | | | | disable_err_report_link1 | | phadj_link1 | | error_ena_link1(7:0) | | | | | | | | | |
| config86 | 0x56 | 0x0000 | adjcnt_link2(3:0) | | | | adjdir_link2 | | bid_link2(3:0) | | | | cf_link2(4:0) | | | | cs_link2(1:0) | | | | | |
| config87 | 0x57 | 0x00FF | did_link2(7:0) | | | | | | | | sync_request_ena_link2(7:0) | | | | | | | | | | | |
| config88 | 0x58 | 0x00FF | reserved | | | | | | disable_err_report_link2 | | phadj_link2 | | error_ena_link2(7:0) | | | | | | | | | |
| config89 | 0x59 | 0x0000 | adjcnt_link3(3:0) | | | | adjdir_link3 | | bid_link3(3:0) | | | | cf_link3(4:0) | | | | cs_link3(1:0) | | | | | |
| config90 | 0x5A | 0x00FF | did_link3(7:0) | | | | | | | | sync_request_ena_link3(7:0) | | | | | | | | | | | |
| config91 | 0x5B | 0x00FF | reserved | | | | | | disable_err_report_link3 | | phadj_link3 | | error_ena_link3(7:0) | | | | | | | | | |
| config92 | 0x5C | 0x1111 | err_cnt_clr_link3 | | sysref_mode_link3(2:0) | | | | err_cnt_clr_link2 | | sysref_mode_link2(2:0) | | | | err_cnt_clr_link1 | | sysref_mode_link1(2:0) | | err_cnt_clr_link0 | | sysref_mode_link0(2:0) | |
| config93 | 0x5D | 0x0000 | reserved | | | | | | | | | | | | | | | | | | | |
| config94 | 0x5E | 0x0000 | res1(7:0) | | | | | | | | res2(7:0) | | | | | | | | | | | |
| config95 | 0x60 | 0x0123 | reserved | | octetpath_sel(0)(2:0) | | | | reserved | | octetpath_sel(1)(2:0) | | | | reserved | | octetpath_sel(2)(2:0) | | reserved | | octetpath_sel(3)(2:0) | |
| config96 | 0x61 | 0x0456 | reserved | | octetpath_sel(4)(2:0) | | | | reserved | | octetpath_sel(5)(2:0) | | | | reserved | | octetpath_sel(6)(2:0) | | reserved | | octetpath_sel(7)(2:0) | |

PRODUCT PREVIEW

Table 14. Register Map (continued)

| Name | Address | Default | (MSB) Bit 15 | Bit 14 | Bit 13 | Bit 12 | Bit 11 | Bit 10 | Bit 9 | Bit 8 | Bit 7 | Bit 6 | Bit 5 | Bit 4 | Bit 3 | Bit 2 | Bit 1 | (LSB) Bit 0 |
|-----------|---------|---------|-------------------------|----------------------|--------|---------------------------|------------------|--------|---------------------|---------------------|-------|-----------------------|----------------|-----------------------|--------------------------|---------------|----------|----------------|
| config97 | 0x62 | 0x000F | syncn_pol | reserved | | | syncncd_sel(3:0) | | | syncnab_sel(3:0) | | | syncn_sel(3:0) | | | | | |
| config98 | 0x63 | 0x0000 | reserved | reserved | | | reserved | | | reserved | | | | | | | | |
| config98 | 0x64 | 0x0000 | reserved | reserved | | | reserved | | | reserved | | | Reserved | | | | | |
| config100 | 0x65 | 0x0000 | | | | alarm_l_error(0)(7:0) | | | | | | reserved | | | alarm_fifo_flags(0)(3:0) | | | |
| config101 | 0x66 | 0x0000 | | | | alarm_l_error(1)(7:0) | | | | | | reserved | | | alarm_fifo_flags(1)(3:0) | | | |
| config102 | 0x67 | 0x0000 | | | | alarm_l_error(2)(7:0) | | | | | | reserved | | | alarm_fifo_flags(2)(3:0) | | | |
| config103 | 0x68 | 0x0000 | | | | alarm_l_error(3)(7:0) | | | | | | reserved | | | alarm_fifo_flags(3)(3:0) | | | |
| config104 | 0x69 | 0x0000 | | | | alarm_l_error(4)(7:0) | | | | | | reserved | | | alarm_fifo_flags(4)(3:0) | | | |
| config105 | 0x6A | 0x0000 | | | | alarm_l_error(5)(7:0) | | | | | | reserved | | | alarm_fifo_flags(5)(3:0) | | | |
| config106 | 0x6B | 0x0000 | | | | alarm_l_error(6)(7:0) | | | | | | reserved | | | alarm_fifo_flags(6)(3:0) | | | |
| config107 | 0x6C | 0x0000 | | | | alarm_l_error(7)(7:0) | | | | | | reserved | | | alarm_fifo_flags(7)(3:0) | | | |
| config108 | 0x6D | 0x0000 | alarm_sysref_err(3:0) | | | | | | alarm_pap(3:0) | | | reserved | | | alarm_rw0_pll | alarm_rw1_pll | reserved | alarm_from_pll |
| config109 | 0x6E | 0x00xx | | | | alarm_from_shorttest(7:0) | | | | | | memin_rw_losdct(7:0) | | | | | | |
| config110 | 0x6F | 0x0000 | sfrac_coef0_ab(1;0) | sfrac_coef1_ab(4;0) | | | | | | sfrac_coef2_ab(7;0) | | | Reserved | | | | | |
| config111 | 0x70 | 0x0000 | reserved | | | | | | sfrac_coef3_ab(9;0) | | | | | | | | | |
| config112 | 0x71 | 0x0000 | sfrac_coef4_ab(15;0) | | | | | | | | | | | | | | | |
| config113 | 0x72 | 0x0000 | sfrac_coef4_ab(18:16) | reserved | | | | | | sfrac_coef5_ab(9;0) | | | | | | | | |
| config114 | 0x73 | 0x0000 | reserved | | | | | | sfrac_coef6_ab(8;0) | | | | | | | | | |
| config115 | 0x74 | 0x0000 | sfrac_coef7_ab(6;0) | | | | | | sfrac_coef8_ab(4;0) | | | sfrac_coef9_ab(1;0) | Reserved | | | | | |
| config116 | 0x75 | 0x0000 | sfrac_invgain_ab(15;0) | | | | | | | | | | | | | | | |
| config117 | 0x76 | 0x0000 | sfrac_invgain_ab(19:16) | | | reserved | | | | | | lfras_coef_sel_a(2;0) | | lfras_coef_sel_b(2;0) | | | | |
| config118 | 0x77 | 0x0000 | sfrac_coef0_cd(1;0) | sfrac_coef1_cd(4;0) | | | | | | sfrac_coef2_cd(7;0) | | | Reserved | | | | | |
| config119 | 0x78 | 0x0000 | reserved | | | | | | sfrac_coef3_cd(9;0) | | | | | | | | | |
| config120 | 0x79 | 0x0000 | sfrac_coef4_cd(15;0) | | | | | | | | | | | | | | | |
| config121 | 0x7A | 0x0000 | sfrac_coef4_cd(18:16) | reserved | | | | | | sfrac_coef5_cd(9;0) | | | | | | | | |
| config122 | 0x7B | 0x0000 | reserved | | | | | | sfrac_coef6_cd(8;0) | | | | | | | | | |
| config123 | 0x7C | 0x0000 | sfrac_coef7_cd(6;0) | | | | | | sfrac_coef8_cd(4;0) | | | sfrac_coef9_cd(1;0) | Reserved | | | | | |
| config124 | 0x7D | 0x0000 | sfrac_invgain_cd(15;0) | | | | | | | | | | | | | | | |
| config125 | 0x7E | 0x0000 | sfrac_invgain_cd(19:16) | | | reserved | | | | | | lfras_coef_sel_c(2;0) | | lfras_coef_sel_d(2;0) | | | | |
| config126 | 0x7F | 0x0000 | reserved | | | reserved | | | reserved | | | reserved | | | | | | |
| config127 | 0x80 | 0x0000 | memin_efc_autoload_done | memin_efc_error(4;0) | | | reserved | | | reserved | | | vendorid(1;0) | | versionid(2;0) | | | |

PRODUCT PREVIEW

REGISTER DESCRIPTIONS

| REGISTER NAME: config0 – Address: 0x00, Default: 0x0218 | | | | | |
|---|------------|-------|---------------------------|---|---------------|
| Register Name | Addr (Hex) | Bit | Name | Function | Default Value |
| config0 | 0x0 | 15 | qmc_offsetab_ena | Enable the offset function for the AB data path when asserted. | 0 |
| | | 14 | qmc_offsetcd_ena | Enable the offset function for the CD data path when asserted. | 0 |
| | | 13 | qmc_corrab_ena | Enable the Quadrature Modulator Correction (QMC) function for the AB data path when asserted. | 0 |
| | | 12 | qmc_corr_ena | Enable the QMC function for the CD data path when asserted. | 0 |
| | | 11:08 | interp | Determines the interpolation amount. 0000: 1x 0001: 2x 0010: 4x 0100: 8x 1000: 16x | 0010 |
| | | 7 | alarm_zeros_txenable_ena | When asserted any alarm that isn't masked will mid-level the DAC output. | 0 |
| | | 6 | outsum_ena | Turns on the summing of the A+C and B+D data paths. | 0 |
| | | 5 | alarm_zeros_jesd_data_ena | When asserted any alarm that isn't masked will zero the data coming out of the JESD block. | 0 |
| | | 4 | alarm_out_ena | When asserted the pin ALARM becomes an output instead of a tri-stated pin. | 1 |
| | | 3 | alarm_out_pol | This bit changes the polarity of the ALARM signal. (0=negative logic, 1=positive logic) | 1 |
| | | 2 | pap_ena | Turns on the Power Amp Protection (PAP) logic. | 0 |
| | | 1 | inv_sinc_ab_ena | Turns on the inverse sinc filter for the AB path when programmed to '1'. | 0 |
| | | 0 | inv_sinc_cd_ena | Turns on the inverse sinc filter for the CD path when programmed to '1'. | 0 |

| REGISTER NAME: config1 – Address: 0x01, Default: 0x0003 | | | | | |
|---|------------|----------|-----------------|---|---------------|
| Register Name | Addr (Hex) | Bit | Name | Function | Default Value |
| config1 | 0x1 | 15 | sfrac_ena_ab | Turn on the small fractional delay filter for the AB data path. | 0 |
| | | 14 | sfrac_ena_cd | Turn on the small fractional delay filter for the CD data path. | 0 |
| | | 13 | lfrac_ena_ab | Turn on the large fractional delay filter for the AB data path. | 0 |
| | | 12 | lfrac_ena_cd | Turn on the large fractional delay filter for the CD data path. | 0 |
| | | 11 | sfrac_sel_ab | Select which data path is delay through the filter and which is delayed through the matched delay line. 0 : Data path B goes through filter 1 : Data path A goes through filter | 0 |
| | | 10 | sfrac_sel_cd | Select which data path is delay through the filter and which is delayed through the matched delay line. 0 : Data path D goes through filter 1 : Data path C goes through filter | 0 |
| | | 9 | reserved | Reserved | 0 |
| | | 8 | reserved | Reserved | 0 |
| | | 7 | daca_compliment | When asserted the output to the DACA is complimented. This allows the user of the chip to effectively change the + and – designations of the IOUTA pins. | 0 |
| | | 6 | dacb_compliment | When asserted the output to the DACB is complimented. This allows the user of the chip to effectively change the + and – designations of the IOUTB pins. | 0 |
| | | 5 | dacc_compliment | When asserted the output to the DACC is complimented. This allows the user of the chip to effectively change the + and – designations of the IOUTC pins. | 0 |
| | | 4 | dacd_compliment | When asserted the output to the DACD is complimented. This allows the user of the chip to effectively change the + and – designations of the IOUTD pins. | 0 |
| | | 3 | reserved | Reserved | 0 |
| | | 2 | reserved | Reserved | 0 |
| 1 | reserved | Reserved | 1 | | |
| 0 | reserved | Reserved | 1 | | |

| REGISTER NAME: config2 – Address: 0x02, Default: 0x2002 | | | | | |
|---|------------|--|-------------------|---|---------------|
| Register Name | Addr (Hex) | Bit | Name | Function | Default Value |
| config2 | 0x2 | 10:14 | dac_bitwidth | Determines the bit width of the DAC. 00 : 16 bits 01 : 14 bits 10 : 16 bits 11 : 12 bits | 00 |
| | | 13 | zero_invalid_data | Zero the data from the JESD block when the link is not established. | 1 |
| | | 12 | shorttest_ena | Turns on the short test pattern of the JESD interface. | 0 |
| | | 11 | reserved | Reserved | 0 |
| | | 10 | reserved | Reserved | 0 |
| | | 9 | reserved | Reserved | 0 |
| | | 8 | reserved | Reserved | 0 |
| | | 7 | sif4_ena | When asserted the SIF interface becomes a 4 pin interface. This bit has a lower priority than the dieid_ena bit. | 0 |
| | | 6 | mixer_ena | When set high, the mixer block is turned on. | 0 |
| | | 5 | mixer_gain | Add 6dB of gain to the mixer output when asserted. | 0 |
| | | 4 | nco_ena | When set high, the full NCO block is turned on. This is not necessary for the fs/2, fs/4, -fs/4 and fs/8 modes. | 0 |
| | | 3 | reserved | Reserved | 0 |
| | | 2 | reserved | Reserved | 0 |
| | | 1 | twos | When asserted, this bit tells the chip to presume that 2's complement data is arriving at the input. Otherwise offset binary is presumed. | 1 |
| 0 | sif_reset | A transition from 0->1 causes a reset of the SIF registers. This bit is self clearing. | 0 | | |

| REGISTER NAME: config3 – Address: 0x03, Default: 0xF380 | | | | | |
|---|------------|-------|---------------------------|---|---------------|
| Register Name | Addr (Hex) | Bit | Name | Function | Default Value |
| config3 | 0x3 | 15:12 | coarse_dac | Scales the output current in 16 equal steps. $\frac{V_{refIO}}{R_{bias}} \times 4 \times (\text{mem_coarse_daca} + 1)$ | 1111 |
| | | 11:8 | reserved | Reserved | 0011 |
| | | 7 | fifo_error_zeros_data_ena | When asserted SerDes FIFO errors zero the data out of the JESD block. | 1 |
| | | 6:1 | reserved | Reserved | 000000 |
| | | 0 | sif_txenable | When asserted the internal value of TXENABLE is '1'. | 0 |

| REGISTER NAME: config4 – Address: 0x04, Default: 0x00FF | | | | | |
|---|------------|------|-------------------|---|---------------|
| Register Name | Addr (Hex) | Bit | Name | Function | Default Value |
| config4 | 0x4 | 15:0 | alarms_mask(15:0) | Each bit is used to mask an alarm. Assertion masks the alarm: bit15 = mask lane7 lane errors bit14 = mask lane6 lane errors bit13 = mask lane5 lane errors bit12 = mask lane4 lane errors bit11 = mask lane3 lane errors bit10 = mask lane2 lane errors bit9 = mask lane1 lane errors bit8 = mask lane0 lane errors bit7 = mask lane7 FIFO flags bit6 = mask lane6 FIFO flags bit5 = mask lane5 FIFO flags bit4 = mask lane4 FIFO flags bit3 = mask lane3 FIFO flags bit2 = mask lane2 FIFO flags bit1 = mask lane1 FIFO flags bit0 = mask lane0 FIFO flags | 0x00FF |

| REGISTER NAME: config5 – Address: 0x05, Default: 0xFFFF | | | | | |
|---|------------|------|--------------------|--|---------------|
| Register Name | Addr (Hex) | Bit | Name | Function | Default Value |
| config5 | 0x5 | 15:0 | alarms_mask(31:16) | Each bit is used to mask an alarm. Assertion masks the alarm: bit15 = mask SYSREF errors on link3 bit14 = mask SYSREF errors on link2 bit13 = mask SYSREF errors on link1 bit12 = mask SYSREF errors on link0 bit11 = mask alarm from PAP A block bit10 = mask alarm from PAP B block bit9 = mask alarm from PAP C block bit8 = mask alarm from PAP D block bit7 = reserved bit6 = reserved bit5 = reserved bit4 = reserved bit3 = mask alarm from SerDes block 0 PLL lock bit2 = mask alarm from SerDes block 1 PLL lock bit1 = mask SYSREF setup/hold measurement alarm bit0 = mask DAC PLL lock alarm | 0xFFFF |

PRODUCT PREVIEW

| REGISTER NAME: config6 – Address: 0x06, Default: 0xFFFF | | | | | |
|---|------------|------|--------------------|---|---------------|
| Register Name | Addr (Hex) | Bit | Name | Function | Default Value |
| config6 | 0x6 | 15:0 | alarms_mask(47:32) | Each bit is used to mask an alarm. Assertion masks the alarm: bit15 = mask alarm from lane7 short test bit14 = mask alarm from lane6 short test bit13 = mask alarm from lane5 short test bit12 = mask alarm from lane4 short test bit11 = mask alarm from lane3 short test bit10 = mask alarm from lane2 short test bit9 = mask alarm from lane1 short test bit8 = mask alarm from lane0 short test bit7 = mask alarm from lane7 loss of signal detect bit6 = mask alarm from lane6 loss of signal detect bit5 = mask alarm from lane5 loss of signal detect bit4 = mask alarm from lane4 loss of signal detect bit3 = mask alarm from lane3 loss of signal detect bit2 = mask alarm from lane2 loss of signal detect bit1 = mask alarm from lane1 loss of signal detect bit0 = mask alarm from lane0 loss of signal detect | 0xFFFF |

| REGISTER NAME: config7 – Address: 0x07, Default: 0x0000 | | | | | |
|---|------------|------|-----------------|---|---------------|
| Register Name | Addr (Hex) | Bit | Name | Function | Default Value |
| config7 No RESET Value | 0x7 | 15:8 | memin_tempdata | This is the output from the chip temperature sensor. NOTE: when reading these bits the SIF interface must be extremely slow, 1MHz range. | 0x00 |
| | | 7:5 | reserved | Reserved | 000 |
| | | 4:0 | memin_lane_skew | Measure of the lane skew for link0 only. Updated when the RBD is released and measured in terms of JESD clock. NOTE: these bits are READ_ONLY | 0000 |

| REGISTER NAME: config8 – Address: 0x08, Default: 0x0000 | | | | | |
|---|------------|------|-------------|---|---------------|
| Register Name | Addr (Hex) | Bit | Name | Function | Default Value |
| config8 AUTO SYNC | 0x8 | 15 | reserved | Reserved | 0 |
| | | 14 | reserved | Reserved | 0 |
| | | 13 | reserved | Reserved | 0 |
| | | 12:0 | qmc_offseta | The DAC A offset correction. The offset is measured in DAC LSBs. NOTE: Writing this register causes an auto-sync to be generated in the QMC OFFSET block. | 0x0000 |

| REGISTER NAME: config9 – Address: 0x09, Default: 0x0000 | | | | | |
|---|------------|-------|-------------|--|---------------|
| Register Name | Addr (Hex) | Bit | Name | Function | Default Value |
| config9 | 0x9 | 15:13 | reserved | Reserved | 000 |
| | | 12:0 | qmc_offsetb | The DAC B offset correction. The offset is measured in DAC LSBs. | 0x0000 |

| REGISTER NAME: config10 – Address: 0x0A, Default: 0x0000 | | | | | |
|--|------------|-------|-------------|---|---------------|
| Register Name | Addr (Hex) | Bit | Name | Function | Default Value |
| config10 AUTO SYNC | 0xA | 15:13 | reserved | Reserved | 000 |
| | | 12:0 | qmc_offsetc | The DAC C offset correction. The offset is measured in DAC LSBs. NOTE: Writing this register causes an auto-sync to be generated in the QMC OFFSET block. | 0x0000 |

| REGISTER NAME: config11 – Address: 0x0B, Default: 0x0000 | | | | | |
|--|------------|-------|-------------|---|---------------|
| Register Name | Addr (Hex) | Bit | Name | Function | Default Value |
| config11 | 0xB | 15:13 | reserved | Reserved | 000 |
| | | 12:0 | qmc_offsetd | The DAC D offset correction. The offset is measured in DAC LSBs | 0x0000 |

| REGISTER NAME: config12 – Address: 0xC, Default: 0x0400 | | | | | |
|---|------------|------|-----------|---|---------------|
| Register Name | Addr (Hex) | Bit | Name | Function | Default Value |
| config12 | 0xC | 15 | reserved | Reserved | 0 |
| | | 14 | reserved | Reserved | 0 |
| | | 13 | reserved | Reserved | 0 |
| | | 12 | reserved | Reserved | 0 |
| | | 11 | reserved | Reserved | 0 |
| | | 10:0 | gmc_gaina | The quadrature correction gain A for DACAB path. The decimal point for the multiplication is just left of bit9. This word is treated as unsigned so the range is 0 to 1.9990. LSB=0.0009766 | 0x400 |

| REGISTER NAME: config13 – Address: 0xD, Default: 0x0400 | | | | | |
|---|------------|------|-----------|---|---------------|
| Register Name | Addr (Hex) | Bit | Name | Function | Default Value |
| config13 | 0xD | 15 | fs8 | These bits turn on the different coarse mixing options. Combining the different options together can result in every possible n*Fs/8 [n=0->7]. Below is the valid programming table: cmix=(fs8, fs4, fs2, fsm4) 0000 : no mixing 0001 : -fs/4 0010 : fs/2 0100 : fs/4 1000 : fs/8 1100 : 3fs/8 1010 : 5fs/8 1110 : 7fs/8 | 0 |
| | | 14 | fs4 | | 0 |
| | | 13 | fs2 | | 0 |
| | | 12 | fsm4 | | 0 |
| | | 11 | reserved | Reserved | 0 |
| | | 10:0 | qmc_gainb | The quadrature correction gain B for DAC AB path. The decimal point for the multiplication is just left of bit9. This word is treated as unsigned so the range is 0 to 1.9990. LSB=0.0009766. | 0x400 |

| REGISTER NAME: config14 – Address: 0x0E, Default: 0x0400 | | | | | |
|--|------------|------|-----------|--|---------------|
| Register Name | Addr (Hex) | Bit | Name | Function | Default Value |
| config14 | 0xE | 15 | reserved | Reserved | 0 |
| | | 14 | reserved | Reserved | 0 |
| | | 13 | reserved | Reserved | 0 |
| | | 12 | reserved | Reserved | 0 |
| | | 11 | reserved | Reserved | 0 |
| | | 10:0 | gmc_gainc | The quadrature correction gain A for DACCD path. The decimal point for the multiplication is just left of bit9. This word is treated as unsigned so the range is 0 to 1.9990. LSB=0.0009766. | 0x400 |

| REGISTER NAME: config15 – Address: 0x0F, Default: 0x0400 | | | | | |
|--|------------|-------|----------------|--|---------------|
| Register Name | Addr (Hex) | Bit | Name | Function | Default Value |
| config15 | 0xF | 15:14 | output_delayab | Delays the output to the DACs from 0 to 3 DAC clock cycles. | 00 |
| | | 13:12 | output_delaycd | Delays the output to the DACs from 0 to 3 DAC clock cycles. | 00 |
| | | 11 | reserved | Reserved | 0 |
| | | 10:0 | qmc_gaind | The quadrature correction gain B for DACCD path. The decimal point for the multiplication is just left of bit9. This word is treated as unsigned so the range is 0 to 1.9990. LSB=0.0009766. | 0x400 |

| REGISTER NAME: config16 – Address: 0x10, Default: 0x0000 | | | | | |
|--|------------|------|-------------|--|---------------|
| Register Name | Addr (Hex) | Bit | Name | Function | Default Value |
| config16 AUTO SYNC | 0x10 | 15 | reserved | Reserved | 0 |
| | | 14 | reserved | Reserved | 0 |
| | | 13 | reserved | Reserved | 0 |
| | | 12 | reserved | Reserved | 0 |
| | | 11:0 | qmc_phaseab | The QMC correction phase term for the DACAB path. The range is –0.5 to 0.49975. Programming “100000000000” = –0.5. Programming “011111111111” = 0.49975. | 0x000 |

| REGISTER NAME: config17 – Address: 0x11, Default: 0x0000 | | | | | |
|--|------------|------|-------------|--|---------------|
| Register Name | Addr (Hex) | Bit | Name | Function | Default Value |
| config17 AUTO SYNC | 0x11 | 15 | reserved | Reserved | 0 |
| | | 14 | reserved | Reserved | 0 |
| | | 13 | reserved | Reserved | 0 |
| | | 12 | reserved | Reserved | 0 |
| | | 11:0 | qmc_phasecd | The QMC correction phase term for the DACAD path. The range is –0.5 to 0.49975. Programming “100000000000” = –0.5. Programming “011111111111” = 0.49975. | 0x000 |

| REGISTER NAME: config18 – Address: 0x12, Default: 0x0000 | | | | | |
|--|------------|------|---------------|------------------------------------|---------------|
| Register Name | Addr (Hex) | Bit | Name | Function | Default Value |
| config18 AUTO SYNC | 0x12 | 15:0 | phaseoffsetab | Phase offset for NCO in DACAB path | 0x0000 |

| REGISTER NAME: config19 – Address: 0x13, Default: 0x0000 | | | | | |
|--|------------|------|---------------|------------------------------------|---------------|
| Register Name | Addr (Hex) | Bit | Name | Function | Default Value |
| config19 AUTO SYNC | 0x13 | 15:0 | phaseoffsetcd | Phase offset for NCO in DACAB path | 0x0000 |

| REGISTER NAME: config20 – Address: 0x14, Default: 0x0000 | | | | | |
|--|------------|------|------------|--|---------------|
| Register Name | Addr (Hex) | Bit | Name | Function | Default Value |
| config20 | 0x14 | 15:0 | phaseaddab | Lower 16 bits of NCO Frequency adjust word for DACAB path. | 0x0000 |

| REGISTER NAME: config21 – Address: 0x15, Default: 0x0000 | | | | | |
|--|------------|------|------------|---|---------------|
| Register Name | Addr (Hex) | Bit | Name | Function | Default Value |
| config21 | 0x15 | 15:0 | phaseaddab | Middle 16 bits of NCO Frequency adjust word for DACAB path. | 0x0000 |

| REGISTER NAME: config22 – Address: 0x16, Default: 0x0000 | | | | | |
|--|------------|------|------------|--|---------------|
| Register Name | Addr (Hex) | Bit | Name | Function | Default Value |
| config22 | 0x16 | 15:0 | phaseaddab | Upper 16 bits of NCO Frequency adjust word for DACAB path. | 0x0000 |

| REGISTER NAME: config23 – Address: 0x17, Default: 0x0000 | | | | | |
|--|------------|------|------------|--|---------------|
| Register Name | Addr (Hex) | Bit | Name | Function | Default Value |
| config23 | 0x17 | 15:0 | phaseaddcd | Lower 16 bits of NCO Frequency adjust word for DACCD path. | 0x0000 |

| REGISTER NAME: config24 – Address: 0x18, Default: 0x0000 | | | | | |
|--|------------|------|------------|---|---------------|
| Register Name | Addr (Hex) | Bit | Name | Function | Default Value |
| config24 | 0x18 | 15:0 | phaseaddcd | Middle 16 bits of NCO Frequency adjust word for DACCD path. | 0x0000 |

| REGISTER NAME: config25 – Address: 0x19, Default: 0x0000 | | | | | |
|--|------------|------|------------|--|---------------|
| Register Name | Addr (Hex) | Bit | Name | Function | Default Value |
| config25 | 0x19 | 15:0 | phaseaddcd | Upper 16 bits of NCO Frequency adjust word for DACCD path. | 0x0000 |

| REGISTER NAME: config26 – Address: 0x1A, Default: 0x0020 | | | | | |
|--|------------|---|-----------------|---|-------------------|
| Register Name | Addr (Hex) | Bit | Name | Function | Default Value |
| config26 | 0x1A | 15:10 | reserved | Reserved | 000000 |
| | | 9 | reserved | Reserved | 0 |
| | | 8 | vbgr_sleep | Turns off the Bandgap over internal R bias current generator bias | 0 |
| | | 7 | biasopamp_sleep | Turns off the bias OP amp when high. | 0 |
| | | 6 | tsense_sleep | Turns off the temperature sensor when asserted. | 0 |
| | | 5 | pll_sleep | Puts the DAC PLL into sleep mode when asserted. | 1 FUSE controlled |
| | | 4 | clkrecv_sleep | When asserted the clock input receiver gets put into sleep mode. This also affects the SYSREF receiver as well. | 0 |
| | | 3 | daca_sleep | When asserted DACA is put into sleep mode | 0 |
| | | 2 | dacb_sleep | When asserted DACB is put into sleep mode | 0 |
| | | 1 | dacc_sleep | When asserted DACC is put into sleep mode | 0 |
| 0 | dacd_sleep | When asserted DACD is put into sleep mode | 0 | | |

| REGISTER NAME: config27 – Address: 0x1B, Default: 0x0000 | | | | | |
|--|------------|-------|------------|--|---------------|
| Register Name | Addr (Hex) | Bit | Name | Function | Default Value |
| config27 | 0x1B | 15 | extref_ena | Allows the chip to use an external reference or the internal reference. (0=internal, 1=external) | 0 |
| | | 14:12 | dtest_lane | Selects the lane to output the test signal. 0=lane0, 7=lane7 | 000 |
| | | 11:8 | dtest | Allows digital test signals to come out the ALARM pin. 0000 : Test disabled, normal ALARM pin function 0001 : SERDES Block0 PLL clock/80 0010 : SERDES Block1 PLL clock/80 0011 : TESTFAIL (lane selected by dtest_lane) 0100 : SYNC(lane selected by dtest_lane) 0101 : OCIP (lane selected by dtest_lane) 0110 : EQUUNDER (lane selected by dtest_lane) 0111 : EQOVER (lane selected by dtest_lane) 1000 – 1111 : not used | 0000 |
| | | 7 | reserved | Reserved | 0 |
| | | 6 | reserved | Reserved | 0 |
| | | 5:0 | atest | Selects measurement of various internal signals at the ATEST pin. 0=off 000001 : DAC PLL VSSA (0V) 000010 : DAC PLL VDD at DACCLK receiver and ndivider (0.9V) 000011 : DAC PLL 100uA bias current measurement into 0V 000100 : DAC PLL 100uA vbias at VCO (~-0.8V nmos diode) 000101 : DAC PLL VDD at prescaler and mdivisor (0.9V) 000110 : DAC PLL VSSA (0V) 000111 : DAC PLL VDDA1.8 (1.8V) 001000 : DAC PLL loop filter voltage (0 to 1V, -0.5V when locked) 001001 : DACA VDDA18 (1.8V) 001010 : DACA VDDCLK (0.9) 001011 : DACA VDDDAC (0.9) 001100 : DACA VSSA (0V) 001101 : DACA VSSESD (0V) 001110 : DACA VSSA (0V) 001111 : DACA main current source PMOS cascode bias (1.65V) 010000 : DACA output switch cascode bias (0.4V) 010001 : DACB VDDA18 (1.8V) 010010 : DACB VDDCLK (0.9) 010011 : DACB VDDDAC (0.9) 010100 : DACB VSSA (0V) 010101 : DACB VSSESD (0V) 010110 : DACB VSSA (0V) 010111 : DACB main current source PMOS cascode bias (1.65V) 011000 : DACB output switch cascode bias (0.4V) 011001 : DACC VDDA18 (1.8V) 011010 : DACC VDDCLK (0.9) 011011 : DACC VDDDAC (0.9) 011100 : DACC VSSA (0V) 011101 : DACC VSSESD (0V) 011110 : DACC VSSA (0V) 011111 : DACC main current source PMOS cascode bias (1.65V) | 000000 |

| REGISTER NAME: config27 – Address: 0x1B, Default: 0x0000 | | | | | |
|--|------------|-----|-------|---|---------------|
| Register Name | Addr (Hex) | Bit | Name | Function | Default Value |
| config27 (continued) | 0x1B | 5:0 | atest | 100000 : DACC output switch cascode bias (0.4V) 100001 : DACD VDDA18 (1.8V) 100010 : DACD VDDCLK (0.9) 100011 : DACD VDDDAC (0.9) 100100 : DACD VSSA (0V) 100101 : DACD VSSES (0V) 100110 : DACD VSSA (0V) 100111 : DACD main current source PMOS cascode bias (1.65V) 101000 : DACD output switch cascode bias (0.4V) 101001 : Temp Sensor VSSA (0V) 101010 : Temp Sensor amplifier output (0 to 1.8V) 101011 : Temp Sensor reference output (-0.6V, can be trimmed) 101100 : Temp Sensor comparator output (0 to 1.8V) 101101 : Temp Sensor 64uA bias voltage (-0.8V nmos diode) 101110 : BIASGEN 100uA bias measured to 0V (to be trimmed) 101111 : Temp Sensor VDD (0.9V) 110000 : Temp Sensor VDDA18 (1.8V) 110001 : DAC bias current measured into 1.8V. scales with coarse DAC setting (7.3µA to 117µA) 110010 : Bangap PTAT current measured into 0V (~20µA) 110011 : CoarseDAC PMOS current source gate (-1V) 110100 : RBIAS (0.9V) 110101 : EXTIO (0.9V) 110110 : Bandgap PMOS cascode gate (0.7V) 110111 : Bandgap startup circuit output (-0V when BG started) 111000 : Bandgap output (0.9V, can be trimmed) 111001 : SYNCB LVDS buffer reference voltage (1.2V) must set syncb_lvds_efuse_sel to measure. 111010 : VSS in digital core MET1 (0V) 111011 : VSS in digital core MET1 (0V) 111100 : VSS near bump (0V) 111101 : VDDDIG in digital core MET1 (0.9V) 111110 : VDDDIG in digital core MET1 (0.9V) | 000000 |

| REGISTER NAME: config28 – Address: 0x1C, Default: 0x0000 | | | | | |
|--|------------|------|----------|----------|---------------|
| Register Name | Addr (Hex) | Bit | Name | Function | Default Value |
| config28 | 0x1C | 15:8 | reserved | reserved | 0x00 |
| | | 7:0 | reserved | reserved | 0x00 |

| REGISTER NAME: config29 – Address: 0x1D, Default: 0x0000 | | | | | |
|--|------------|------|----------|----------|---------------|
| Register Name | Addr (Hex) | Bit | Name | Function | Default Value |
| config29 | 0x1D | 15:8 | reserved | reserved | 0x00 |
| | | 7:0 | reserved | reserved | 0x00 |

PRODUCT PREVIEW

| REGISTER NAME: config30 – Address: 0x1E, Default: 0x1111 | | | | | |
|--|------------|-------|---------------------|--|---------------|
| Register Name | Addr (Hex) | Bit | Name | Function | Default Value |
| config30 | 0x1E | 15:12 | syncsel_ qmoffsetab | Select the sync for the QMCOffsetAB block. A '1' in the selected bit place allows the selected sync to pass to the block. bit0 = auto-sync from SIF register write bit1 = sysref bit2 = sync_out from JESD bit3 = sif_sync | 0x1 |
| | | 11:8 | syncsel_ qmoffsetcd | Select the sync for the QMCOffsetCD block. A '1' in the selected bit place allows the selected sync to pass to the block. bit0 = auto-sync from SIF register write bit1 = sysref bit2 = sync_out from JESD bit3 = sif_sync | 0x1 |
| | | 7:4 | syncsel_ qmcorrab | Select the sync for the QMCCorrAB block. A '1' in the selected bit place allows the selected sync to pass to the block. bit0 = auto-sync from SIF register write bit1 = sysref bit2 = sync_out from JESD bit3 = sif_sync | 0x1 |
| | | 3:0 | syncsel_ qmcorrcd | Select the sync for the QMCCorrCD block. A '1' in the selected bit place allows the selected sync to pass to the block. bit0 = auto-sync from SIF register write bit1 = sysref bit2 = sync_out from JESD bit3 = sif_sync | 0x1 |

| REGISTER NAME: config31 – Address: 0x1F, Default: 0x1111 | | | | | |
|--|------------|-------|------------------|--|---------------|
| Register Name | Addr (Hex) | Bit | Name | Function | Default Value |
| config31 | 0x1F | 15:12 | syncsel_ mixerab | Select the sync for the mixerAB block. A '1' in the selected bit place allows the selected sync to pass to the block. bit0 = auto-sync from SIF register write bit1 = sysref bit2 = sync_out from JESD bit3 = sif_sync | 0x1 |
| | | 11:8 | syncsel_ mixercd | Select the sync for the mixerCD block. A '1' in the selected bit place allows the selected sync to pass to the block. bit0 = auto-sync from SIF register write bit1 = sysref bit2 = sync_out from JESD bit3 = sif_sync | 0x1 |
| | | 7:4 | syncsel_ nco | Select the sync for the NCO accumulators. A '1' in the selected bit place allows the selected sync to pass to the block. bit0 = '0' bit1 = sysref bit2 = sync_out from JESD bit3 = sif_sync | 0x4 |
| | | 3:2 | reserved | Reserved | 00 |
| | | 1 | sif_sync | This is the SIF SYNC signal. | 0 |
| | | 0 | reserved | Reserved | 0 |

| REGISTER NAME: config32 – Address: 0x20, Default: 0x0000 | | | | | |
|--|------------|-------|----------------|---|---------------|
| Register Name | Addr (Hex) | Bit | Name | Function | Default Value |
| config32 | 0x20 | 15:12 | syncsel_dither | Select the sync for the Dithering block. bit0 = '0' bit1 = sysref bit2 = sync_out from JESD bit3 = sif_sync | 0x0 |
| | | 11:8 | reserved | Reserved | 0x0 |
| | | 7:4 | syncsel_pap | 7:4 Select the sync for the PA Protection block. bit0 = '0' bit1 = sysref bit2 = sync_out from JESD bit3 = sif_sync 0x0 | 0x0 |
| | | 3:0 | syncsel_fir5a | Select the sync for the small fractional delay FIR filter coefficient loading. bit0 = '0' bit1 = sysref bit2 = sync_out from JESD bit3 = sif_sync | 0x0 |

| REGISTER NAME: config33 – Address: 0x21, Default: 0x0000 | | | | | |
|--|------------|------|----------|----------|---------------|
| Register Name | Addr (Hex) | Bit | Name | Function | Default Value |
| config33 | 0x21 | 15:0 | reserved | Reserved | 0x0000 |

| REGISTER NAME: config34 – Address: 0x22, Default: 0x1B1B | | | | | |
|--|------------|-------|---------------|--|---------------|
| Register Name | Addr (Hex) | Bit | Name | Function | Default Value |
| config34 | 0x22 | 15:14 | patha_in_sel | This selects the word used for the path A input. 00 = Sample 0 from JESD is selected for data path A 01 = Sample 1 from JESD is selected for data path A 10 = Sample 2 from JESD is selected for data path A 11 = Sample 3 from JESD is selected for data path A | 00 |
| | | 13:12 | pathb_in_sel | This selects the word used for the path B input. 00 = Sample 0 from JESD is selected for data path B 01 = Sample 1 from JESD is selected for data path B 10 = Sample 2 from JESD is selected for data path B 11 = Sample 3 from JESD is selected for data path B | 01 |
| | | 11:10 | pathc_in_sel | This selects the word used for the path C input. 00 = Sample 0 from JESD is selected for data path C 01 = Sample 1 from JESD is selected for data path C 10 = Sample 2 from JESD is selected for data path C 11 = Sample 3 from JESD is selected for data path C | 10 |
| | | 9:8 | pathd_in_sel | This selects the word used for the path D input. 00 = Sample 0 from JESD is selected for data path D 01 = Sample 1 from JESD is selected for data path D 10 = Sample 2 from JESD is selected for data path D 11 = Sample 3 from JESD is selected for data path D | 11 |
| | | 7:6 | patha_out_sel | This selects the word used for the DACA output. 00 = data path A goes to DACA 01 = data path B goes to DACA 10 = data path C goes to DACA 11 = data path D goes to DACA | 00 |
| | | 5:4 | pathb_out_sel | This selects the word used for the DACB output. 00 = data path A goes to DACB 01 = data path B goes to DACB 10 = data path C goes to DACB 11 = data path D goes to DACB | 01 |
| | | 3:2 | pathc_out_sel | This selects the word used for the DACC output. 00 = data path A goes to DACC 01 = data path B goes to DACC 10 = data path C goes to DACC 11 = data path D goes to DACC | 10 |
| | | 1:0 | pathd_out_sel | This selects the word used for the DACD output. 00 = data path A goes to DACD 01 = data path B goes to DACD 10 = data path C goes to DACD 11 = data path D goes to DACD | 11 |

| REGISTER NAME: config35 – Address: 0x23, Default: 0xFFFF | | | | | |
|--|------------|------|------------|--|---------------|
| Register Name | Addr (Hex) | Bit | Name | Function | Default Value |
| config35 | 0x23 | 15:0 | sleep_cntl | <p>This controls the routing of the SLEEP pin signal to different blocks. Assertion means that the SLEEP signal will be sent to the block. These bits do not override the SIF bits, just the SLEEP signal from the pin.</p> <p>When asserted,</p> <ul style="list-style-type: none"> bit15 through bit9 = Not used bit8 = Allows the Band gap over R to sleep (BUG... in this PG it is hooked to bit7) bit7 = Allows the Bias OP Amp to sleep bit6 = Allows the TEMP Sensor to sleep bit5 = Allows the PLL to sleep bit4 = Allows the CLK_RECV to sleep bit3 = Allows DACD to sleep bit2 = Allows DACC to sleep bit1 = Allows DACB to sleep bit0 = Allows DACA to sleep | 0xFFFF |

| REGISTER NAME: config36 – Address: 0x24, Default: 0x0000 | | | | | |
|--|------------|-------|---------------------|--|---------------|
| Register Name | Addr (Hex) | Bit | Name | Function | Default Value |
| config36 | 0x24 | 15:13 | reserved | Reserved | 000 |
| | | 12:7 | reserved | Reserved | 000000 |
| | | 6:4 | cdvrser_sysref_mode | <p>Determines how SYSREF is used to sync the clock dividers in the device.</p> <ul style="list-style-type: none"> 000 = Don't use SYSREF pulse 001 = Use all SYSREF pulses 010 = Use only the next SYSREF pulse 011 = Skip one SYSREF pulse then use only the next one 100 = Skip one SYSREF pulse then use all pulses. | 000 |
| | | 3:2 | reserved | Reserved | 00 |
| | | 1:0 | reserved | Reserved | 00 |

| REGISTER NAME: config37 – Address: 0x25, Default: 0x8000 | | | | | |
|--|------------|-------|-------------|--|---------------|
| Register Name | Addr (Hex) | Bit | Name | Function | Default Value |
| config37 | 0x25 | 15:13 | clkjesd_div | <p>This controls the amount of dividing down the DACCLK gets to generate the JESD clock. It is independent of the interpolation because of the different JESD interfaces.</p> <ul style="list-style-type: none"> “000” : DACCLK “001” : div2 “010” : div4 “011” : div8 “100” : div16 “101” : div32 “110” : always 1 “111” : always 0 | 100 |
| | | 12:10 | reserved | Reserved | 000 |
| | | 9:7 | reserved | Reserved | 000 |
| | | 6:4 | reserved | Reserved | 000 |
| | | 3:1 | reserved | Reserved | 000 |
| | | 0 | reserved | Reserved | 0 |

| REGISTER NAME: config38 – Address: 0x26, Default: 0x0000 | | | | | |
|--|------------|-------|------------------|---|---------------|
| Register Name | Addr (Hex) | Bit | Name | Function | Default Value |
| config38 | 0x26 | 15:12 | dither_ena | Turns on DITHER block for each data path bit15 = data path D bit14 = data path C bit13 = data path B bit12 = data path A | 0000 |
| | | 11:8 | dither_mixer_ena | Turns on the FS/2 mixer at the output of the CIC in the DITHER block. bit11 = data path D bit10 = data path C bit9 = data path B bit8 = data path A | 0000 |
| | | 7:4 | dither_sra_sel | Select the amount of dithering added to the signal. 0 is the maximum dithering. | 0000 |
| | | 3:2 | reserved | Reserved | 00 |
| | | 1 | reserved | Reserved | 0 |
| | | 0 | reserved | Reserved | 0 |

| REGISTER NAME: config39 – Address: 0x27, Default: 0x0000 | | | | | |
|--|------------|------|----------|----------|---------------|
| Register Name | Addr (Hex) | Bit | Name | Function | Default Value |
| config39 | 0x27 | 15:0 | reserved | Reserved | 0x0000 |

| REGISTER NAME: config40 – Address: 0x28, Default: 0x0000 | | | | | |
|--|------------|------|----------|----------|---------------|
| Register Name | Addr (Hex) | Bit | Name | Function | Default Value |
| config40 WRITE TO CLEAR | 0x28 | 15:0 | reserved | Reserved | 0x0000 |

| REGISTER NAME: config41 – Address: 0x29, Default: 0x0000 | | | | | |
|--|------------|------|----------|----------|---------------|
| Register Name | Addr (Hex) | Bit | Name | Function | Default Value |
| config41 | 0x29 | 15:0 | reserved | Reserved | 0xFFFF |

| REGISTER NAME: config42 – Address: 0x2A, Default: 0x0000 | | | | | |
|--|------------|------|----------|----------|---------------|
| Register Name | Addr (Hex) | Bit | Name | Function | Default Value |
| config42 | 0x2A | 15:0 | reserved | Reserved | 0000 |

| REGISTER NAME: config43 – Address: 0x2B, Default: 0x0000 | | | | | |
|--|------------|------|----------|----------|---------------|
| Register Name | Addr (Hex) | Bit | Name | Function | Default Value |
| config43 | 0x2B | 15:0 | reserved | Reserved | 0x0000 |

| REGISTER NAME: config44 – Address: 0x2C, Default: 0x0000 | | | | | |
|--|------------|------|----------|----------|---------------|
| Register Name | Addr (Hex) | Bit | Name | Function | Default Value |
| config44 | 0x2C | 15:0 | reserved | Reserved | 0000 |

| REGISTER NAME: config45 – Address: 0x2D, Default: 0x0000 | | | | | |
|--|------------|------|----------------|---|---------------|
| Register Name | Addr (Hex) | Bit | Name | Function | Default Value |
| config45 | 0x2D | 15 | reserved | Reserved | 0 |
| | | 14:4 | reserved | Reserved | 000000000000 |
| | | 3 | pap_dlylen_sel | Select the length of the PAP average: 0 : 64 samples 1 : 128 samples | 0 |
| | | 2:0 | pap_gain | The amount of attenuation to apply when the threshold for PAP is met: 000 : no attenuation 001 : divide by 2 010 : divided by 4 011 : divided by 8 100 : divided by 16 101 : no attenuation 110 : no attenuation 111 : no attenuation | 000 |

| REGISTER NAME: config46 – Address: 0x2E, Default: 0xFFFF | | | | | |
|--|------------|------|---------|--|---------------|
| Register Name | Addr (Hex) | Bit | Name | Function | Default Value |
| config46 | 0x2E | 15:0 | pap_vth | The threshold value for the PA protection logic. When the power measurement is greater than this activate the PA protection logic. | 0xFFFF |

| REGISTER NAME: config47 – Address: 0x2F, Default: 0x0004 | | | | | |
|--|------------|------|-----------------------|---|---------------|
| Register Name | Addr (Hex) | Bit | Name | Function | Default Value |
| config47 | 0x2F | 15 | reserved | Reserved | 0 |
| | | 14 | titest_dieid_read_ena | When asserted, the die ID can be read out after fuse autoload is finished on register 100-107. When de-asserted normal function of the registers is read out. | 0 |
| | | 13 | reserved | Reserved | 0 |
| | | 12:3 | reserved | Reserved | 0000000000 |
| | | 2 | reserved | Reserved | 1 |
| | | 1 | reserved | Reserved | 0 |
| | | 0 | sifdac_ena | When asserted the DAC output is set to the value in register sifdac. | 0 |

| REGISTER NAME: config48 – Address: 0x30, Default: 0x0000 | | | | | |
|--|------------|------|-------|--|---------------|
| Register Name | Addr (Hex) | Bit | Name | Function | Default Value |
| config48 | 0x30 | 15:0 | sifdc | This is the value that is sent to the digital blocks when register sifdac_ena is asserted. | 0x0000 |

| REGISTER NAME: config49 – Address: 0x31, Default: 0x0000 | | | | | |
|--|------------|-------|------------------|--|----------------------|
| Register Name | Addr (Hex) | Bit | Name | Function | Default Value |
| config49 | 0x31 | 15:13 | lockdet_adj | Adjusts the sensitivity of the DAC PLL lock detector; 4 settings from 000 to 011. The 011 setting has the widest lock detection window, tolerating more jitter while reporting a lock. The 000 setting has a narrow window and will indicate an unlocked state more often. | 000 |
| | | 12 | pll_reset | When set, the M divider, N divider and PFD are held reset. | 0 |
| | | 11 | pll_ndivsync_ena | When on, the SYSREF input is used to sync the N dividers of the PLL. | 0 |
| | | 10 | pll_ena | Enables the PLL output as the DAC clock when set; the clock provided at the DACCLKP/N is used as the PLL reference clock. When cleared, the PLL is bypassed and the clock provided at the DACCLKP/N pins is used as the DAC clock | 0 FUSE controlled |
| | | 9:8 | pll_cp | Must be set to 00 for proper PLL operation | 00 |
| | | 7:3 | pll_n | Reference clock divider; divide by is N+1 | 00000 |
| | | 2:0 | memin_pll_lfvolt | Indicates the loop filter voltage; 111 is max, 000 is min. When the PLL is correctly programmed, this will read 011 or 100 for a centered loop filter voltage. | 000 READ ONLY |

| REGISTER NAME: config50 – Address: 0x32, Default: 0x0000 | | | | | |
|--|------------|------|----------|---|---------------|
| Register Name | Addr (Hex) | Bit | Name | Function | Default Value |
| config50 | 0x32 | 15:8 | PLL_M | VCO feedback divider; divide by is M+1 | 00000000 |
| | | 7:4 | PLL_P | VCO prescaler divider; 0000 : div by 2 0001 : div by 3 0010 : div by 4 0011 : div by 5 0100 : div by 6 0101 : div by 7 0110 : div by 8 0111 : div by 9 1000 : div by 4 1001 : div by 6 1010 : div by 8 1011 : div by 10 1100 : div by 12 | 0000 |
| | | 3:0 | reserved | Reserved | 0000 |

| REGISTER NAME: config51 – Address: 0x33, Default: 0x0100 | | | | | |
|--|------------|------|--------------|---|---------------|
| Register Name | Addr (Hex) | Bit | Name | Function | Default Value |
| config51 | 0x33 | 15 | pll_vcose1 | 4GHz VCO selected when set, 5GHz VCO selected when cleared. | 0 |
| | | 14:9 | pll_vco | VCO frequency range control; 000000 is fmin, 11111 is fmax | 000000 |
| | | 8:7 | pll_vcoitune | VCO core bias current adjustment; 00 is 7mA, 01 is 8.4mA, 10 is 9.8mA, 11 is 11.2mA. | 10 |
| | | 6:2 | pll_cp_adj | adjusts the charge pump current; 0 to 1.55mA is 50µA steps. Setting to 00000 will hold the LPF pin at 0V. | 00000 |
| | | 1:0 | reserved | Reserved | 00 |

| REGISTER NAME: config52 – Address: 0x34, Default: 0x0000 | | | | | |
|--|------------|----------|-----------------------|--|---------------|
| Register Name | Addr (Hex) | Bit | Name | Function | Default Value |
| config52 | 0x34 | 15 | syncb_lvds_lopwrb | SYNCB LVDS Output current control LSB; allows output current to be scaled from ~2mA to ~4mA | 0 |
| | | 14 | syncb_lvds_lopwra | SYNCB LVDS Output current control MSB; allows output current to be scaled from ~2mA to ~4mA | 0 |
| | | 13 | syncb_lvds_lpsel | SYNCB LVDS output on chip termination control; 100 Ω when cleared, 200 Ω when set. | 0 |
| | | 12 | syncb_lvds_effuse_sel | Enabled SYNCB LVDS bias bandgap reference voltage to the ATEST multiplexer. ATEST must be set to 111001 to enable this output. | 0 |
| | | 11:10 | reserved | Reserved | 00 |
| | | 9 | reserved | Reserved | 0 |
| | | 8 | syncb_lvds_sleep | The SYNCB LVDS output is in power down when set, active when cleared. | 0 |
| | | 7 | syncb_lvds_sub_ena | SYNCB LVDS output common mode is 1.2V when cleared, 0.9V when set. | 0 |
| 6:0 | reserved | Reserved | 0000000 | | |

| REGISTER NAME: config53 – Address: 0x35, Default: 0x0000 | | | | | |
|--|------------|-------|----------|----------|---------------|
| Register Name | Addr (Hex) | Bit | Name | Function | Default Value |
| config53 | 0x35 | 15:12 | reserved | Reserved | 0000 |
| | | 11:8 | reserved | Reserved | 0000 |
| | | 7:2 | reserved | Reserved | 000000 |
| | | 1:0 | reserved | Reserved | 00 |

| REGISTER NAME: config54 – Address: 0x36, Default: 0x0000 | | | | | |
|--|------------|------|----------|----------|---------------|
| Register Name | Addr (Hex) | Bit | Name | Function | Default Value |
| config54 | 0x36 | 15:0 | reserved | Reserved | 0x0000 |

| REGISTER NAME: config55 – Address: 0x37, Default: 0x0000 | | | | | |
|--|------------|------|----------|----------|---------------|
| Register Name | Addr (Hex) | Bit | Name | Function | Default Value |
| config55 | 0x37 | 15:0 | reserved | Reserved | 0x0000 |

| REGISTER NAME: config56 – Address: 0x38, Default: 0x0000 | | | | | |
|--|------------|------|----------|----------|---------------|
| Register Name | Addr (Hex) | Bit | Name | Function | Default Value |
| config56 | 0x38 | 15:0 | reserved | Reserved | 0x0000 |

| REGISTER NAME: config57 – Address: 0x39, Default: 0x0000 | | | | | |
|--|------------|------|----------|----------|---------------|
| Register Name | Addr (Hex) | Bit | Name | Function | Default Value |
| config57 | 0x39 | 15:0 | reserved | Reserved | 0x0000 |

| REGISTER NAME: config58 – Address: 0x3A, Default: 0x0000 | | | | | |
|--|------------|------|----------|----------|---------------|
| Register Name | Addr (Hex) | Bit | Name | Function | Default Value |
| config58 | 0x3A | 15:0 | reserved | Reserved | 0x0000 |

| REGISTER NAME: config59 – Address: 0x3B, Default: 0x0000 | | | | | |
|--|------------|-------|-------------------|--|---------------|
| Register Name | Addr (Hex) | Bit | Name | Function | Default Value |
| config59 | 0x3B | 15 | serdes_clk_sel | Select either the DAC PLL output or the DACCLK from the pins to be the SerDes PLL reference divider input clock. | 0 |
| | | 14:11 | serdes_refclk_div | The divide amount for the serdes PLL reference clock divider. The divider amount is serdes_refclk_div plus one. | 0000 |
| | | 10:2 | reserved | Reserved | 000000000 |
| | | 1:0 | reserved | Reserved | 00 |

| REGISTER NAME: config60 – Address: 0x3C, Default: 0x0000 | | | | | |
|--|------------|------|-----------|---|---------------|
| Register Name | Addr (Hex) | Bit | Name | Function | Default Value |
| config60 | 0x3C | 15:0 | rw_cfgpll | Control the PLL of the SerDes. Bit15 – ENDIVCLK, enables output of a divide-by-5 of PLL clock. Bit14:13 – reserved. Bit12:11 – LB, specify loop bandwidth settings. Bit10 – SLEEPPLL, puts the PLL into sleep state when high. Bit9 – VRANGE, select between high and low VCO. Bit8:1 – MPY, select PLL multiply factor between 4 and 25. Bit0 – reserved. | 0x0000 |

| REGISTER NAME: config61 – Address: 0x3D, Default: 0x0000 | | | | | |
|--|------------|------|-----------|--|------------------|
| Register Name | Addr (Hex) | Bit | Name | Function | Default Value |
| config61 | 0x3D | 15 | reserved | Reserved | 0 |
| | | 14:0 | rw_cfgrx0 | Upper 15 bits of the configuration info for SerDes receivers. Bit14:1 – TESTPATT, Enables and selects verification of one of three PRBS patterns, a user defined pattern or a clock test pattern. Bit11 – reserved Bit10 – reserved Bit9:8 – reserved Bit7 – ENOC, enable samplers offset compensation. Bit6 – EQHLD, hold the equalizer in its current status. Bit5:3 – EQ, enable and configure the equalizer to compensate the loss in the transmission media. Bit2:0 – CDR, configure the clock/data recovery algorithm. | 0000000000000000 |

| REGISTER NAME: config62 – Address: 0x3E, Default: 0x0000 | | | | | |
|--|------------|------|-----------|---|---------------|
| Register Name | Addr (Hex) | Bit | Name | Function | Default Value |
| config62 | 0x3E | 15:0 | rw_cfgrx0 | Lower 16 bits of the configuration info for SerDes receivers. Bit15:1 – LOS, enable loss of signal detection. 3 Bit12:1 – reserved. 1 Bit10:8 – TERM, select input termination options for serial lanes. Note: AC coupling is recommended for JESD204B compliance. Bit7 – reserved Bit6:5 – RATE, operating rate, select full, half, quarter or eighth rate operation. Bit4:2 – BUSWIDTH, select the parallel interface width (16 bit or 20bit). Note: 16bit is not compatible with JESD204B. Bit1 – SLEEPRX, powers the receiver down into sleep (fast power up) state when high. Bit0 – reserved. | 0x0000 |

| REGISTER NAME: config63 – Address: 0x3F, Default: 0x0000 | | | | | |
|--|------------|------|----------|---|---------------|
| Register Name | Addr (Hex) | Bit | Name | Function | Default Value |
| config63 | 0x3F | 15:8 | Not Used | Not Used | 0x00 |
| | | 7:0 | INVPAIR | Allows the PN pairs of the SerDes lanes to be inverted. bit7 = lane7 bit6 = lane6 bit5 = lane5 bit4 = lane4 bit3 = lane3 bit2 = lane2 bit1 = lane1 bit0 = lane0 | 0x00 |

| REGISTER NAME: config64 – Address: 0x40, Default: 0x0000 | | | | | |
|--|------------|------|----------|----------|---------------|
| Register Name | Addr (Hex) | Bit | Name | Function | Default Value |
| config64 | 0x40 | 15:0 | reserved | Reserved | 0x0000 |

| REGISTER NAME: config65 – Address: 0x41, Default: 0x0000 | | | | | |
|--|------------|------|----------------|--|---------------|
| Register Name | Addr (Hex) | Bit | Name | Function | Default Value |
| config65 READ ONLY | 0x41 | 15:0 | errorcnt_link0 | This is the error count for link0. What is counted as an error is determined by error_ena_link0. This is a 16bit value that is cleared when a JESD synchronization is performed or err_cnt_clr_link0 is programmed to a '1'. | 0x0000 |

| REGISTER NAME: config66 – Address: 0x42, Default: 0x0000 | | | | | |
|--|------------|------|----------------|--|---------------|
| Register Name | Addr (Hex) | Bit | Name | Function | Default Value |
| config66 READ ONLY | 0x42 | 15:0 | errorcnt_link1 | This is the error count for link1. What is counted as an error is determined by error_ena_link1. This is a 16bit value that is cleared when a JESD synchronization is performed or err_cnt_clr_link0 is programmed to a '1'. | 0x0000 |

| REGISTER NAME: config67 – Address: 0x43, Default: 0x0000 | | | | | |
|--|------------|------|----------------|--|---------------|
| Register Name | Addr (Hex) | Bit | Name | Function | Default Value |
| config67 READ ONLY | 0x43 | 15:0 | errorcnt_link2 | This is the error count for link2. What is counted as an error is determined by error_ena_link2. This is a 16bit value that is cleared when a JESD synchronization is performed or err_cnt_clr_link0 is programmed to a '1'. | 0x0000 |

| REGISTER NAME: config68 – Address: 0x44, Default: 0x0000 | | | | | |
|--|------------|------|----------------|--|---------------|
| Register Name | Addr (Hex) | Bit | Name | Function | Default Value |
| config68 READ ONLY | 0x44 | 15:0 | errorcnt_link3 | This is the error count for link3. What is counted as an error is determined by error_ena_link3. This is a 16bit value that is cleared when a JESD synchronization is performed or err_cnt_clr_link0 is programmed to a '1'. | 0x0000 |

| REGISTER NAME: config69 – Address: 0x45, Default: 0x0000 | | | | | |
|--|------------|------|----------|----------|---------------|
| Register Name | Addr (Hex) | Bit | Name | Function | Default Value |
| config69 | 0x45 | 15:0 | reserved | Reserved | 0x0000 |

| REGISTER NAME: config70 – Address: 0x46, Default: 0x0120 | | | | | |
|--|------------|-------|----------|------------------------------|---------------|
| Register Name | Addr (Hex) | Bit | Name | Function | Default Value |
| config70 | 0x46 | 15:11 | lid0 | The JESD ID for JESD lane 0. | 00000 |
| | | 10:6 | lid1 | The JESD ID for JESD lane 1. | 00001 |
| | | 5:1 | lid2 | The JESD ID for JESD lane 2. | 00010 |
| | | 0 | reserved | Reserved | 0 |

| REGISTER NAME: config71 – Address: 0x47, Default: 0x3450 | | | | | |
|--|------------|-------|----------|------------------------------|---------------|
| Register Name | Addr (Hex) | Bit | Name | Function | Default Value |
| config71 | 0x47 | 15:11 | lid3 | The JESD ID for JESD lane 3. | 00011 |
| | | 10:6 | lid4 | The JESD ID for JESD lane 4. | 00100 |
| | | 5:1 | lid5 | The JESD ID for JESD lane 5. | 00101 |
| | | 0 | reserved | Reserved | 0 |

| REGISTER NAME: config72 – Address: 0x48, Default: 0x31C3 | | | | | |
|--|------------|-------|-----------|---|---------------|
| Register Name | Addr (Hex) | Bit | Name | Function | Default Value |
| config72 | 0x48 | 15:11 | lid6 | The JESD ID for JESD lane 6. | 00110 |
| | | 10:6 | lid7 | The JESD ID for JESD lane 7. | 00111 |
| | | 5:4 | reserved | reserved | 00 |
| | | 3:1 | subclassv | Selects the JESD subclass supported. Note: “001” is subclass 1 and this is the only mode supported | 001 |
| | | 0 | jesdv | Selects the version of JESD supported (0=A, 1=B) Note: JESD 204B is only supported version. | 1 |

| REGISTER NAME: config73 – Address: 0x49, Default: 0x0000 | | | | | |
|--|------------|------|-------------|---|---------------|
| Register Name | Addr (Hex) | Bit | Name | Function | Default Value |
| config73 | 0x49 | 15:0 | link_assign | Each JESD lane can be assigned to any of the 4 links. There are two bits for each lane: “00”=link0, “01”=link1, “10”=link2 and “11”=link3 bits(15:14) : JESD lane7 link selection bits(13:12) : JESD lane6 link selection bits(11:10) : JESD lane5 link selection bits(9:8) : JESD lane4 link selection bits(7:6) : JESD lane3 link selection bits(5:4) : JESD lane2 link selection bits(3:2) : JESD lane1 link selection bits(1:0) : JESD lane0 link selection | 0x0000 |

| REGISTER NAME: config74 – Address: 0x4A, Default: 0x001E | | | | | |
|--|------------|------|---------------|--|---------------|
| Register Name | Addr (Hex) | Bit | Name | Function | Default Value |
| config74 | 0x4A | 15:8 | lane_ena | Turn on each SerDes lane as needed. Signal is active high. bit15 : SerDes lane7 enable bit14 : SerDes lane6 enable bit13 : SerDes lane5 enable bit12 : SerDes lane4 enable bit11 : SerDes lane3 enable bit10 : SerDes lane2 enable bit9 : SerDes lane1 enable bit8 : SerDes lane0 enable | 0x00 |
| | | 7:6 | jesd_test_seq | Set to select and verify link layer test sequences. The error for these sequences comes out the lane alarms bit0. 1= fail and 0 = pass. 00 : test sequence disabled 01 : verify repeating D.21.5 high frequency pattern for random jitter 10 : verify repeating K.28.5 mixed frequency pattern for deterministic jitter 11 : verify repeating ILA sequence | 00 |
| | | 5 | dual | Turn on "DUAL DAC" mode. This disables the clocks to the C and D data paths, reducing the power of the DIG block. | 0 |
| | | 4:1 | init_state | Put the JESD block into "INIT_STATE" mode when high. During this mode the JESD can be programmed and its outputs will stay at zero. NOTE: See the JESD description of the correct startup sequence. | 1111 |
| | | 0 | jesd_reset_n | Reset the JESD block when low. NOTE: See the JESD description of the correct startup sequence. | 0 |

| REGISTER NAME: config75 – Address: 0x4B, Default: 0x0000 | | | | | |
|--|------------|-------|----------|---|---------------|
| Register Name | Addr (Hex) | Bit | Name | Function | Default Value |
| config75 | 0x4B | 15:13 | reserved | Reserved | 000 |
| | | 12:8 | rbd_m1 | This controls the amount of elastic buffers being used in the JESD. Larger numbers will mean more latency, but smaller numbers may not hold enough data to capture the input skew. This value must always be $\leq k_m1$ | 00000 |
| | | 7:0 | f_m1 | This is the number of octets in the frame. The DAC37J84/DAC38J84 only supports 1,2,4 or 8 octets per frame so the only valid values are 0,1,3, and 7. | 0x00 |

| REGISTER NAME: config76 – Address: 0x4C, Default: 0x0000 | | | | | |
|--|------------|-------|----------|--|---------------|
| Register Name | Addr (Hex) | Bit | Name | Function | Default Value |
| config76 | 0x4C | 15:13 | reserved | Reserved | 000 |
| | | 12:8 | k_m1 | This is the number of frames in a multi-frame. The range is 0-31. | 00000 |
| | | 7 | reserved | Reserved | 0 |
| | | 6 | reserved | Reserved | 0 |
| | | 5 | reserved | Reserved | 0 |
| | | 4:0 | l_m1 | This is the number of lanes used by the JESD. Possible values are 0-7. | 00000 |

| REGISTER NAME: config77 – Address: 0x4D, Default: 0x0300 | | | | | |
|--|------------|------|----------|---|---------------|
| Register Name | Addr (Hex) | Bit | Name | Function | Default Value |
| config77 | 0x4D | 15:8 | m_m1 | This is the number of converters per link. NOTE: Valid programmed values are 0, 1 and 3. | 0x03 |
| | | 7:5 | reserved | Reserved | 000 |
| | | 4:0 | s_m1 | This is the number of converter samples per frame. NOTE: Valid programming is 0 or 1. | 00000 |

| REGISTER NAME: config78 – Address: 0x4E, Default: 0x0F0F | | | | | |
|--|------------|-------|-----------|--|---------------|
| Register Name | Addr (Hex) | Bit | Name | Function | Default Value |
| config78 | 0x4E | 15:13 | reserved | Reserved | 000 |
| | | 12:8 | nprime_m1 | This is the number of adjusted bits per sample. NOTE: 15 is the only valid value. | 01111 |
| | | 7 | reserved | Reserved | 0 |
| | | 6 | hd | High Density mode for the JESD. When asserted samples are split across lanes. | 0 |
| | | 5 | scr | Turns on the scrambler function in the JESD block. | 0 |
| | | 4:0 | n_m1 | This is the number of bits per sample. NOTE: 15 is the only valid value. | 01111 |

| REGISTER NAME: config79 – Address: 0x4F, Default: 0x1CC1 | | | | | |
|--|------------|------|---------------------|--|---------------|
| Register Name | Addr (Hex) | Bit | Name | Function | Default Value |
| config79 | 0x4F | 15:8 | match_data | The character to match. Normally it is a /R/=/K28.0/=0x1C, but the user can program it to any character. | 00011100 |
| | | 7 | match_specific | Match a specified character to start JESD buffering when '1'. If programmed to '0' then the first non-K will start the buffering. | 1 |
| | | 6 | match_ctrl | When asserted, the match character is a CONTROL character instead of a DATA character. | 1 |
| | | 5 | no_lane_sync | Assert if the TX side does not support lane initialization. This way the RX won't flag errors in the configuration portion of the ILA. | 0 |
| | | 4:1 | reserved | Reserved | 0000 |
| | | 0 | jesd_commaalign_ena | always "1" | 1 |

| REGISTER NAME: config80 – Address: 0x50, Default: 0x0000 | | | | | |
|--|------------|-------|--------------|---|---------------|
| Register Name | Addr (Hex) | Bit | Name | Function | Default Value |
| config80 | 0x50 | 15:12 | adjcnt_link0 | Lane configuration data for link0. Not used by DAC37J84/DAC38J84 except for lane configuration checking. | 0000 |
| | | 11 | adjdir_link0 | Lane configuration data for link0. Not used by DAC37J84/DAC38J84 except for lane configuration checking. | 0 |
| | | 10:7 | bid_link0 | Lane configuration data for link0. Not used by DAC37J84/DAC38J84 except for lane configuration checking. | 0000 |
| | | 6:2 | cf_link0 | Lane configuration data for link0. Not used by DAC37J84/DAC38J84 except for lane configuration checking. | 00000 |
| | | 1:0 | cs_link0 | Lane configuration data for link0. Not used by DAC37J84/DAC38J84 except for lane configuration checking. | 00 |

| REGISTER NAME: config81 – Address: 0x51, Default: 0x00FF | | | | | |
|--|------------|------|------------------------|---|---------------|
| Register Name | Addr (Hex) | Bit | Name | Function | Default Value |
| config81 | 0x51 | 15:8 | did_link0 | Lane configuration data for link0. Not used by DAC37J84/DAC38J84 except for lane configuration checking. | 0x00 |
| | | 7:0 | sync_request_ena_link0 | These bits select which errors cause a sync request. Sync requests take priority over the error notification, so if sync request isn't desired, set these bits to a '0'. bit7 = multi-frame alignment error bit6 = frame alignment error bit5 = link configuration error bit4 = elastic buffer overflow (bad RBD value) bit3 = elastic buffer end char mismatch (match_ctrl match_data) bit2 = code synchronization error bit1 = 8b/10b not-in-table code error bit0 = 8b/10b disparity error | 0xFF |

| REGISTER NAME: config82 – Address: 0x52, Default: 0x00FF | | | | | |
|--|------------|-------|--------------------------|--|---------------|
| Register Name | Addr (Hex) | Bit | Name | Function | Default Value |
| config82 | 0x52 | 15:10 | reserved | Reserved | 000000 |
| | | 9 | disable_err_report_link0 | Assertion means that errors will not be reported on the sync_n output. | 0 |
| | | 8 | phadj_link0 | Lane configuration data for link0. Not used by DAC37J84/DAC38J84 except for lane configuration checking. | 0 |
| | | 7:0 | error_ena_link0 | These bits select the errors generated are counted in the err_c for the link. The bits also control what signals are sent out the pad_syncb pin for error notification. bit7 = multi-frame alignment error bit6 = frame alignment error bit5 = link configuration error bit4 = elastic buffer overflow (bad RBD value) bit3 = elastic buffer end char mismatch (match_ctrl match_data) bit2 = code synchronization error bit1 = 8b/10b not-in-table code error bit0 = 8b/10b disparity error | 0xFF |

| REGISTER NAME: config83 – Address: 0x53, Default: 0x0000 | | | | | |
|--|------------|-------|--------------|---|---------------|
| Register Name | Addr (Hex) | Bit | Name | Function | Default Value |
| config83 | 0x53 | 15:12 | adjnt_link1 | Lane configuration data for link1. Not used by DAC37J84/DAC38J84 except for lane configuration checking. | 0000 |
| | | 11 | adjdir_link1 | Lane configuration data for link1. Not used by DAC37J84/DAC38J84 except for lane configuration checking. | 0 |
| | | 10:7 | bid_link1 | Lane configuration data for link1. Not used by DAC37J84/DAC38J84 except for lane configuration checking. | 0000 |
| | | 6:2 | cf_link1 | Lane configuration data for link1. Not used by DAC37J84/DAC38J84 except for lane configuration checking. | 00000 |
| | | 1:0 | cs_link1 | Lane configuration data for link1. Not used by DAC37J84/DAC38J84 except for lane configuration checking. | 00 |

| REGISTER NAME: config84 – Address: 0x54, Default: 0x00FF | | | | | |
|--|------------|------|------------------------|--|---------------|
| Register Name | Addr (Hex) | Bit | Name | Function | Default Value |
| config84 | 0x54 | 15:8 | did_link1 | Lane configuration data for link1. Not used by DAC37J84/DAC38J84 except for lane configuration checking. | 0x00 |
| | | 7:0 | sync_request_ena_link1 | These bits select which errors cause a sync request. Sync requests take priority over the error notification, so if sync request isn't desired, set these bits to a '0'. bit7 = multi-frame alignment error bit6 = frame alignment error bit5 = link configuration error bit4 = elastic buffer overflow (bad RBD value) bit3 = elastic buffer end char mismatch (match_ctrl match_data) bit2 = code synchronization error bit1 = 8b/10b not-in-table code error bit0 = 8b/10b disparity error | 0xFF |

| REGISTER NAME: config85 – Address: 0x55, Default: 0x00FF | | | | | |
|--|------------|-------|--------------------------|--|---------------|
| Register Name | Addr (Hex) | Bit | Name | Function | Default Value |
| config85 | 0x55 | 15:10 | reserved | Reserved | 000000 |
| | | 9 | disable_err_report_link1 | Assertion means that errors will not be reported on the sync_n output. | 0 |
| | | 8 | phadj_link1 | Lane configuration data for link1. Not used by DAC37J84/DAC38J84 except for lane configuration checking. | 0 |
| | | 7:0 | error_ena_link1 | These bits select the errors generated are counted in the err_cnt for the link. The bits also control what signals are sent out the pad_syncb pin for error notification. bit7 = multi-frame alignment error bit6 = frame alignment error bit5 = link configuration error bit4 = elastic buffer overflow (bad RBD value) bit3 = elastic buffer end char mismatch (match_ctrl match_data) bit2 = code synchronization error bit1 = 8b/10b not-in-table code error bit0 = 8b/10b disparity error | 0xFF |

| REGISTER NAME: config86 – Address: 0x56, Default: 0x0000 | | | | | |
|--|------------|-------|--------------|---|---------------|
| Register Name | Addr (Hex) | Bit | Name | Function | Default Value |
| config86 | 0x56 | 15:12 | adjcnt_link2 | Lane configuration data for link2. Not used by DAC37J84/DAC38J84 except for lane configuration checking. | 0000 |
| | | 11 | adjdir_link2 | Lane configuration data for link2. Not used by DAC37J84/DAC38J84 except for lane configuration checking. | 0 |
| | | 10:7 | bid_link2 | Lane configuration data for link2. Not used by DAC37J84/DAC38J84 except for lane configuration checking. | 0000 |
| | | 6:2 | cf_link2 | Lane configuration data for link2. Not used by DAC37J84/DAC38J84 except for lane configuration checking. | 00000 |
| | | 1:0 | cs_link2 | Lane configuration data for link2. Not used by DAC37J84/DAC38J84 except for lane configuration checking. | 00 |

| REGISTER NAME: config87 – Address: 0x57, Default: 0x00FF | | | | | |
|--|------------|------|------------------------|---|---------------|
| Register Name | Addr (Hex) | Bit | Name | Function | Default Value |
| config87 | 0x57 | 15:8 | did_link2 | Lane configuration data for link2. Not used by DAC37J84/DAC38J84 except for lane configuration checking. | 0x00 |
| | | 7:0 | sync_request_ena_link2 | These bits select which errors cause a sync request. Sync requests take priority over the error notification, so if sync request isn't desired, set these bits to a '0'. bit7 = multi-frame alignment error bit6 = frame alignment error bit5 = link configuration error bit4 = elastic buffer overflow (bad RBD value) bit3 = elastic buffer end char mismatch (match_ctrl match_data) bit2 = code synchronization error bit1 = 8b/10b not-in-table code error bit0 = 8b/10b disparity error | 0xFF |

| REGISTER NAME: config88 – Address: 0x58, Default: 0x00FF | | | | | |
|--|------------|-------|--------------------------|--|---------------|
| Register Name | Addr (Hex) | Bit | Name | Function | Default Value |
| config88 | 0x58 | 15:10 | reserved | Reserved | 000000 |
| | | 9 | disable_err_report_link2 | Assertion means that errors will not be reported on the sync_n output. | 0 |
| | | 8 | phadj_link2 | Lane configuration data for link2. Not used by DAC37J84/DAC38J84 except for lane configuration checking. | 0 |
| | | 7:0 | error_ena_link2 | These bits select the errors generated are counted in the err_cnt for the link. The bits also control what signals are sent out the pad_syncb pin for error notification. bit7 = multi-frame alignment error bit6 = frame alignment error bit5 = link configuration error bit4 = elastic buffer overflow (bad RBD value) bit3 = elastic buffer end char mismatch (match_ctrl match_data) bit2 = code synchronization error bit1 = 8b/10b not-in-table code error bit0 = 8b/10b disparity error | 0xFF |

| REGISTER NAME: config89 – Address: 0x59, Default: 0x0000 | | | | | |
|--|------------|-------|--------------|---|---------------|
| Register Name | Addr (Hex) | Bit | Name | Function | Default Value |
| config89 | 0x59 | 15:12 | adjcnt_link3 | Lane configuration data for link3. Not used by DAC37J84/DAC38J84 except for lane configuration checking. | 0000 |
| | | 11 | adjdir_link3 | Lane configuration data for link3. Not used by DAC37J84/DAC38J84 except for lane configuration checking. | 0 |
| | | 10:7 | bid_link3 | Lane configuration data for link3. Not used by DAC37J84/DAC38J84 except for lane configuration checking. | 0000 |
| | | 6:2 | cf_link3 | Lane configuration data for link3. Not used by DAC37J84/DAC38J84 except for lane configuration checking. | 00000 |
| | | 1:0 | cs_link3 | Lane configuration data for link3. Not used by DAC37J84/DAC38J84 except for lane configuration checking. | 00 |

| REGISTER NAME: config90 – Address: 0x5A, Default: 0x00FF | | | | | |
|--|------------|------|------------------------|---|---------------|
| Register Name | Addr (Hex) | Bit | Name | Function | Default Value |
| config90 | 0x5A | 15:8 | did_link3 | Lane configuration data for link3. Not used by DAC37J84/DAC38J84 except for lane configuration checking. | 0x00 |
| | | 7:0 | sync_request_ena_link3 | These bits select which errors cause a sync request. Sync requests take priority over the error notification, so if sync request isn't desired, set these bits to a '0'. bit7 = multi-frame alignment error bit6 = frame alignment error bit5 = link configuration error bit4 = elastic buffer overflow (bad RBD value) bit3 = elastic buffer end char mismatch (match_ctrl match_data) bit2 = code synchronization error bit1 = 8b/10b not-in-table code error bit0 = 8b/10b disparity error | 0xFF |

| REGISTER NAME: config91 – Address: 0x5B, Default: 0x00FF | | | | | |
|--|------------|-------|--------------------------|--|---------------|
| Register Name | Addr (Hex) | Bit | Name | Function | Default Value |
| config91 | 0x5B | 15:10 | reserved | Reserved | 000000 |
| | | 9 | disable_err_report_link3 | Assertion means that errors will not be reported on the sync_n output. | 0 |
| | | 8 | phadj_link3 | Lane configuration data for link3. Not used by DAC37J84/DAC38J84 except for lane configuration checking. | 0 |
| | | 7:0 | error_ena_link3 | These bits select the errors generated are counted in the err_cnt for the link. The bits also control what signals are sent out the pad_syncb pin for error notification. bit7 = multi-frame alignment error bit6 = frame alignment error bit5 = link configuration error bit4 = elastic buffer overflow (bad RBD value) bit3 = elastic buffer end char mismatch (match_ctrl match_data) bit2 = code synchronization error bit1 = 8b/10b not-in-table code error bit0 = 8b/10b disparity error | 0xFF |

| REGISTER NAME: config92 – Address: 0x5C, Default: 0x1111 | | | | | |
|--|------------|-------|-------------------|---|---------------|
| Register Name | Addr (Hex) | Bit | Name | Function | Default Value |
| config92 | 0x5C | 15 | err_cnt_clr_link3 | A transition from 0 \geq 1 causes the error_cnt for link3 to be cleared. | 0 |
| | | 14:12 | sysref_mode_link3 | Determines how SYSREF is used in the JESD synchronizing block. 000 = Don't use SYSREF pulse 001 = Use all SYSREF pulses 010 = Use only the next SYSREF pulse 011 = Skip one SYSREF pulse then use only the next one 100 = Skip one SYSREF pulse then use all pulses. 101 = Skip two SYSREF pulses then use only the next one 110 = Skip two SYSREF pulses then use all pulses. | 001 |
| | | 11 | err_cnt_clr_link2 | A transition from 0 \geq 1 causes the error_cnt for link2 to be cleared. | 0 |
| | | 10:8 | sysref_mode_link2 | Determines how SYSREF is used in the JESD synchronizing block. 000 = Don't use SYSREF pulse 001 = Use all SYSREF pulses 010 = Use only the next SYSREF pulse 011 = Skip one SYSREF pulse then use only the next one 100 = Skip one SYSREF pulse then use all pulses. 101 = Skip two SYSREF pulses then use only the next one 110 = Skip two SYSREF pulses then use all pulses. | 001 |
| | | 7 | err_cnt_clr_link1 | A transition from 0 \geq 1 causes the error_cnt for link1 to be cleared. | 0 |
| | | 6:4 | sysref_mode_link1 | Determines how SYSREF is used in the JESD synchronizing block. 000 = Don't use SYSREF pulse 001 = Use all SYSREF pulses 010 = Use only the next SYSREF pulse 011 = Skip one SYSREF pulse then use only the next one 100 = Skip one SYSREF pulse then use all pulses. 101 = Skip two SYSREF pulses then use only the next one 110 = Skip two SYSREF pulses then use all pulses. | 001 |
| | | 3 | err_cnt_clr_link0 | A transition from 0 \geq 1 causes the error_cnt for link0 to be cleared. | 0 |
| | | 2:0 | sysref_mode_link0 | Determines how SYSREF is used in the JESD synchronizing block. 000 = Don't use SYSREF pulse 001 = Use all SYSREF pulses 010 = Use only the next SYSREF pulse 011 = Skip one SYSREF pulse then use only the next one 100 = Skip one SYSREF pulse then use all pulses. 101 = Skip two SYSREF pulses then use only the next one 110 = Skip two SYSREF pulses then use all pulses. | 001 |

| REGISTER NAME: config93 – Address: 0x5D, Default: 0x0000 | | | | | |
|--|------------|------|----------|----------|---------------|
| Register Name | Addr (Hex) | Bit | Name | Function | Default Value |
| config93 | 0x5D | 15:0 | reserved | Reserved | 0x0000 |

| REGISTER NAME: config94 – Address: 0x5E, Default: 0x0000 | | | | | |
|--|------------|------|------|---|---------------|
| Register Name | Addr (Hex) | Bit | Name | Function | Default Value |
| config94 | 0x5E | 15:8 | res1 | Since these bits are reserved, these values are shared across all links for the checksum comparison against ILA values. Not used by DAC37J84/DAC38J84 except for lane configuration checking. | 00000000 |
| | | 7:0 | res2 | Since these bits are reserved, these values are shared across all links for the checksum comparison against ILA values. Not used by DAC37J84/DAC38J84 except for lane configuration checking. | |

| REGISTER NAME: config95 – Address: 0x5F, Default: 0x0123 | | | | | |
|--|------------|-------|------------------|--|---------------|
| Register Name | Addr (Hex) | Bit | Name | Function | Default Value |
| config95 | 0x5F | 15 | reserved | Reserved | 0 |
| | | 14:12 | octetpath_sel(0) | These bits are used by the cross-bar switch to map any SerDes lane to any JESD lane. “000” = pass SerDes lane0 to JESD lane0 “001” = pass SerDes lane1 to JESD lane0 “010” = pass SerDes lane2 to JESD lane0 “011” = pass SerDes lane3 to JESD lane0 “100” = pass SerDes lane4 to JESD lane0 “101” = pass SerDes lane5 to JESD lane0 “110” = pass SerDes lane6 to JESD lane0 “111” = pass SerDes lane7 to JESD lane0 | 000 |
| | | 11 | reserved | Reserved | 0 |
| | | 10:8 | octetpath_sel(1) | These bits are used by the cross-bar switch to map any SerDes lane to any JESD lane. “000” = pass SerDes lane0 to JESD lane1 “001” = pass SerDes lane1 to JESD lane1 “010” = pass SerDes lane2 to JESD lane1 “011” = pass SerDes lane3 to JESD lane1 “100” = pass SerDes lane4 to JESD lane1 “101” = pass SerDes lane5 to JESD lane1 “110” = pass SerDes lane6 to JESD lane1 “111” = pass SerDes lane7 to JESD lane1 | 001 |
| | | 7 | reserved | Reserved | 0 |
| | | 6:4 | octetpath_sel(2) | These bits are used by the cross-bar switch to map any SerDes lane to any JESD lane. “000” = pass SerDes lane0 to JESD lane2 “001” = pass SerDes lane1 to JESD lane2 “010” = pass SerDes lane2 to JESD lane2 “011” = pass SerDes lane3 to JESD lane2 “100” = pass SerDes lane4 to JESD lane2 “101” = pass SerDes lane5 to JESD lane2 “110” = pass SerDes lane6 to JESD lane2 “111” = pass SerDes lane7 to JESD lane2 | 010 |
| | | 3 | reserved | Reserved | 0 |
| | | 2:0 | octetpath_sel(3) | These bits are used by the cross-bar switch to map any SerDes lane to any JESD lane. “000” = pass SerDes lane0 to JESD lane3 “001” = pass SerDes lane1 to JESD lane3 “010” = pass SerDes lane2 to JESD lane3 “011” = pass SerDes lane3 to JESD lane3 “100” = pass SerDes lane4 to JESD lane3 “101” = pass SerDes lane5 to JESD lane3 “110” = pass SerDes lane6 to JESD lane3 “111” = pass SerDes lane7 to JESD lane3 | 011 |

| REGISTER NAME: config96 – Address: 0x60, Default: 0x4567 | | | | | |
|--|------------|-------|------------------|--|---------------|
| Register Name | Addr (Hex) | Bit | Name | Function | Default Value |
| config96 | 0x60 | 15 | reserved | Reserved | 0 |
| | | 14:12 | octetpath_sel(4) | These bits are used by the cross-bar switch to map any SerDes lane to any JESD lane. "000" = pass SerDes lane0 to JESD lane4 "001" = pass SerDes lane1 to JESD lane4 "010" = pass SerDes lane2 to JESD lane4 "011" = pass SerDes lane3 to JESD lane4 "100" = pass SerDes lane4 to JESD lane4 "101" = pass SerDes lane5 to JESD lane4 "110" = pass SerDes lane6 to JESD lane4 "111" = pass SerDes lane7 to JESD lane4 | 100 |
| | | 11 | reserved | Reserved | 0 |
| | | 10:8 | octetpath_sel(5) | These bits are used by the cross-bar switch to map any SerDes lane to any JESD lane. "000" = pass SerDes lane0 to JESD lane5 "001" = pass SerDes lane1 to JESD lane5 "010" = pass SerDes lane2 to JESD lane5 "011" = pass SerDes lane3 to JESD lane5 "100" = pass SerDes lane4 to JESD lane5 "101" = pass SerDes lane5 to JESD lane5 "110" = pass SerDes lane6 to JESD lane5 "111" = pass SerDes lane7 to JESD lane5 | 101 |
| | | 7 | reserved | Reserved | 0 |
| | | 6:4 | octetpath_sel(6) | These bits are used by the cross-bar switch to map any SerDes lane to any JESD lane. "000" = pass SerDes lane0 to JESD lane6 "001" = pass SerDes lane1 to JESD lane6 "010" = pass SerDes lane2 to JESD lane6 "011" = pass SerDes lane3 to JESD lane6 "100" = pass SerDes lane4 to JESD lane6 "101" = pass SerDes lane5 to JESD lane6 "110" = pass SerDes lane6 to JESD lane6 "111" = pass SerDes lane7 to JESD lane6 | 110 |
| | | 3 | reserved | Reserved | 0 |
| | | 2:0 | octetpath_sel(7) | These bits are used by the cross-bar switch to map any SerDes lane to any JESD lane. "000" = pass SerDes lane0 to JESD lane7 "001" = pass SerDes lane1 to JESD lane7 "010" = pass SerDes lane2 to JESD lane7 "011" = pass SerDes lane3 to JESD lane7 "100" = pass SerDes lane4 to JESD lane7 "101" = pass SerDes lane5 to JESD lane7 "110" = pass SerDes lane6 to JESD lane7 "111" = pass SerDes lane7 to JESD lane7 | 111 |

PRODUCT PREVIEW

| REGISTER NAME: config97 – Address: 0x61, Default: 0x000F | | | | | |
|--|------------|------|-------------|--|---------------|
| Register Name | Addr (Hex) | Bit | Name | Function | Default Value |
| config97 | 0x61 | 15 | syncn_pol | Sets the polarity of the SYNC_N_AB and SYNC_N_CD outputs. | 0 |
| | | 14:2 | reserved | Reserved | 000 |
| | | 11:8 | syncncd_sel | Select which link sync_n outputs are ANDed together to generate the SYNC_N_CD CMOS output. bit0=link0 bit1=link1 bit2=link2 bit3=link3 | 0000 |
| | | 7:4 | syncnab_sel | Select which link sync_n outputs are ANDed together to generate the SYNC_N_AB CMOS output. bit0=link0 bit1=link1 bit2=link2 bit3=link3 | 0000 |
| | | 3:0 | syncn_sel | Select which link sync_n outputs are ANDed together to generate the SYNCB LVDS output. bit0=link0 bit1=link1 bit2=link2 bit3=link3 | 1111 |

| REGISTER NAME: config98 – Address: 0x62, Default: 0x0000 | | | | | |
|--|------------|-------|----------|----------|---------------|
| Register Name | Addr (Hex) | Bit | Name | Function | Default Value |
| config98 | 0x62 | 15 | reserved | Reserved | 0 |
| | | 14:12 | reserved | Reserved | 000 |
| | | 11:8 | reserved | Reserved | 0000 |
| | | 7:0 | reserved | Reserved | 0x00 |

| REGISTER NAME: config99 – Address: 0x63, Default: 0x0000 | | | | | |
|--|------------|-------|----------|----------|---------------|
| Register Name | Addr (Hex) | Bit | Name | Function | Default Value |
| config99 | 0x63 | 15 | reserved | Reserved | 0 |
| | | 14:12 | reserved | Reserved | 000 |
| | | 11:8 | reserved | Reserved | 0000 |
| | | 7:0 | reserved | Reserved | 0000 |

Addresses config100 – config107 are dual purpose registers. When config47(14) is set to a ‘1’ then config100 – config107 become the DIEID(127:0). Normal function (config47(14)=’0’) is shown below.

| REGISTER NAME: config100 – Address: 0x64, Default: 0x0000 | | | | | |
|---|------------|------|----------------------|---|---------------|
| Register Name | Addr (Hex) | Bit | Name | Function | Default Value |
| config100 WRITE TO CLEAR | 0x64 | 15:8 | alarm_l_ error(0) | Lane0 errors: bit15 = multiframe alignment error bit14 = frame alignment error bit13 = link configuration error bit12 = elastic buffer overflow (bad RBD value) bit11 = elastic buffer match error. The first non-/K/ doesn't match "match_ctrl" and "match_data" programmed values. bit10 = code synchronization error bit9 = 8b/10b not-in-table code error bit8 = 8b/10b disparity error | 0x00 |
| | | 7:4 | Not Used | Not Used | 0000 |
| | | 3:0 | alarm_fifo_ flags(0) | Lane0 FIFO errors: bit3 = write_error : Asserted if write request and FIFO is full bit2 = write_full : FIFO is FULL bit1 = read_error : Asserted if read request with empty FIFO bit0 = read_empty : FIFO is empty | 0000 |

| REGISTER NAME: config101 – Address: 0x65, Default: 0x0000 | | | | | |
|---|------------|------|----------------------|---|---------------|
| Register Name | Addr (Hex) | Bit | Name | Function | Default Value |
| config101 WRITE TO CLEAR | 0x65 | 15:8 | alarm_l_ error(1) | Lane0 errors: bit15 = multiframe alignment error bit14 = frame alignment error bit13 = link configuration error bit12 = elastic buffer overflow (bad RBD value) bit11 = elastic buffer match error. The first non-/K/ doesn't match "match_ctrl" and "match_data" programmed values. bit10 = code synchronization error bit9 = 8b/10b not-in-table code error bit8 = 8b/10b disparity error | 0x00 |
| | | 7:4 | Not Used | Not Used | 0000 |
| | | 3:0 | alarm_fifo_ flags(0) | Lane0 FIFO errors: bit3 = write_error : Asserted if write request and FIFO is full bit2 = write_full : FIFO is FULL bit1 = read_error : Asserted if read request with empty FIFO bit0 = read_empty : FIFO is empty | 0000 |

| REGISTER NAME: config102 – Address: 0x66, Default: 0x0000 | | | | | |
|---|------------|------|---------------------|---|---------------|
| Register Name | Addr (Hex) | Bit | Name | Function | Default Value |
| config102 WRITE TO CLEAR | 0x66 | 15:8 | alarm_lane_error(2) | Lane0 errors: bit15 = multiframe alignment error bit14 = frame alignment error bit13 = link configuration error bit12 = elastic buffer overflow (bad RBD value) bit11 = elastic buffer match error. The first non-/K/ doesn't match "match_ctrl" and "match_data" programmed values. bit10 = code synchronization error bit9 = 8b/10b not-in-table code error bit8 = 8b/10b disparity error | 0x00 |
| | | 7:4 | reserved | Reserved | 0000 |
| | | 3:0 | alarm_fifo_flags(0) | Lane0 FIFO errors: bit3 = write_error : Asserted if write request and FIFO is full bit2 = write_full : FIFO is FULL bit1 = read_error : Asserted if read request with empty FIFO bit0 = read_empty : FIFO is empty | 0000 |

| REGISTER NAME: config103 – Address: 0x67, Default: 0x0000 | | | | | |
|---|------------|------|---------------------|---|---------------|
| Register Name | Addr (Hex) | Bit | Name | Function | Default Value |
| config103 WRITE TO CLEAR | 0x67 | 15:8 | alarm_land_error(3) | Lane0 errors: bit15 = multiframe alignment error bit14 = frame alignment error bit13 = link configuration error bit12 = elastic buffer overflow (bad RBD value) bit11 = elastic buffer match error. The first non-/K/ doesn't match "match_ctrl" and "match_data" programmed values. bit10 = code synchronization error bit9 = 8b/10b not-in-table code error bit8 = 8b/10b disparity error | 0x00 |
| | | 7:4 | reserved | Reserved | 0000 |
| | | 3:0 | alarm_fifo_flags(0) | Lane0 FIFO errors: bit3 = write_error : Asserted if write request and FIFO is full bit2 = write_full : FIFO is FULL bit1 = read_error : Asserted if read request with empty FIFO bit0 = read_empty : FIFO is empty | 0000 |

| REGISTER NAME: config104 – Address: 0x68, Default: 0x0000 | | | | | |
|---|------------|------|---------------------|---|---------------|
| Register Name | Addr (Hex) | Bit | Name | Function | Default Value |
| config104 WRITE TO CLEAR | 0x68 | 15:8 | alarm_lane_error(4) | Lane0 errors: bit15 = multiframe alignment error bit14 = frame alignment error bit13 = link configuration error bit12 = elastic buffer overflow (bad RBD value) bit11 = elastic buffer match error. The first non-/K/ doesn't match "match_ctrl" and "match_data" programmed values. bit10 = code synchronization error bit9 = 8b/10b not-in-table code error bit8 = 8b/10b disparity error | 0x00 |
| | | 7:4 | reserved | Reserved | 0000 |
| | | 3:0 | alarm_fifo_flags(0) | Lane0 FIFO errors: bit3 = write_error : Asserted if write request and FIFO is full bit2 = write_full : FIFO is FULL bit1 = read_error : Asserted if read request with empty FIFO bit0 = read_empty : FIFO is empty | 0000 |

| REGISTER NAME: config105 – Address: 0x69, Default: 0x0000 | | | | | |
|---|------------|------|---------------------|---|---------------|
| Register Name | Addr (Hex) | Bit | Name | Function | Default Value |
| config105 WRITE TO CLEAR | 0x69 | 15:8 | alarm_lane_error(5) | Lane0 errors: bit15 = multiframe alignment error bit14 = frame alignment error bit13 = link configuration error bit12 = elastic buffer overflow (bad RBD value) bit11 = elastic buffer match error. The first non-/K/ doesn't match "match_ctrl" and "match_data" programmed values. bit10 = code synchronization error bit9 = 8b/10b not-in-table code error bit8 = 8b/10b disparity error | 0x00 |
| | | 7:4 | reserved | Reserved | 0000 |
| | | 3:0 | alarm_fifo_flags(0) | Lane0 FIFO errors: bit3 = write_error : Asserted if write request and FIFO is full bit2 = write_full : FIFO is FULL bit1 = read_error : Asserted if read request with empty FIFO bit0 = read_empty : FIFO is empty | 0000 |

| REGISTER NAME: config106 – Address: 0x6A, Default: 0x0000 | | | | | |
|---|------------|------|---------------------|---|---------------|
| Register Name | Addr (Hex) | Bit | Name | Function | Default Value |
| config106 WRITE TO CLEAR | 0x6A | 15:8 | alarm_lane_error(6) | Lane0 errors: bit15 = multiframe alignment error bit14 = frame alignment error bit13 = link configuration error bit12 = elastic buffer overflow (bad RBD value) bit11 = elastic buffer match error. The first non-/K/ doesn't match "match_ctrl" and "match_data" programmed values. bit10 = code synchronization error bit9 = 8b/10b not-in-table code error bit8 = 8b/10b disparity error | 0x00 |
| | | 7:4 | reserved | Reserved | 0000 |
| | | 3:0 | alarm_fifo_flags(0) | Lane0 FIFO errors: bit3 = write_error : Asserted if write request and FIFO is full bit2 = write_full : FIFO is FULL bit1 = read_error : Asserted if read request with empty FIFO bit0 = read_empty : FIFO is empty | 0000 |

| REGISTER NAME: config107 – Address: 0x6B, Default: 0x0000 | | | | | |
|---|------------|------|---------------------|---|---------------|
| Register Name | Addr (Hex) | Bit | Name | Function | Default Value |
| config107 WRITE TO CLEAR | 0x6B | 15:8 | alarm_lane_error(7) | Lane7 errors: bit15 = multiframe alignment error bit14 = frame alignment error bit13 = link configuration error bit12 = elastic buffer overflow (bad RBD value) bit11 = elastic buffer match error. The first non-/K/ doesn't match "match_ctrl" and "match_data" programmed values. bit10 = code synchronization error bit9 = 8b/10b not-in-table code error bit8 = 8b/10b disparity error | 0x00 |
| | | 7:4 | reserved | Reserved | 0000 |
| | | 3:0 | alarm_fifo_flags(0) | Lane0 FIFO errors: bit3 = write_error : Asserted if write request and FIFO is full bit2 = write_full : FIFO is FULL bit1 = read_error : Asserted if read request with empty FIFO bit0 = read_empty : FIFO is empty | 0000 |

PRODUCT PREVIEW

| REGISTER NAME: config108 – Address: 0x6C, Default: 0x0000 | | | | | |
|---|------------|-------|------------------|---|---------------|
| Register Name | Addr (Hex) | Bit | Name | Function | Default Value |
| config108 WRITE TO CLEAR | 0x6C | 15:12 | alarm_sysref_err | SYSREF Errors discovered for each lane. bit15 = lane3 bit14 = lane2 bit13 = lane1 bit12 = lane0 | 0000 |
| | | 11:8 | alarm_pap | Alarms from the PAP blocks bit11 = data path D bit10 = data path C bit9 = data path B bit8 = data path A While any alarm_pap is asserted the attenuation for the appropriate data path is applied. | 0000 |
| | | 7:4 | reserved | Reserved | 0000 |
| | | 3 | alarm_rw0_pll | Driven high if the PLL in the SerDes block0 goes out of lock. A false alarm is generated at startup when the PLL is locking. User will have to reset this bit after start to monitor accurately. | 0 |
| | | 2 | alarm_rw1_pll | Driven high if the PLL in the SerDes block1 goes out of lock. A false alarm is generated at startup when the PLL is locking. User will have to reset this bit after start to monitor accurately. | 0 |
| | | 1 | reserved | Reserved | 0 |
| | | 0 | alarm_from_pll | When this bit is a '1' the DAC PLL is out of lock. | 0 |

| REGISTER NAME: config109 – Address: 0x6D, Default: 0x00xx | | | | | |
|---|------------|------|----------------------|--|---------------|
| Register Name | Addr (Hex) | Bit | Name | Function | Default Value |
| config109 | 0x6D | 15:8 | alarm_from_shorttest | These are the alarms from the different lanes during JESD short test checking. bit15 = lane7 alarm bit14 = lane6 alarm bit13 = lane5 alarm bit12 = lane4 alarm bit11 = lane3 alarm bit10 = lane2 alarm bit9 = lane1 alarm bit8 = lane0 alarm | 0x00 |
| | | 7:0 | memin_rw_losdct | These are the loss of signal detect outputs from the SERDES lanes: bit7 = lane7 loss off signal bit6 = lane6 loss off signal bit5 = lane5 loss off signal bit4 = lane4 loss off signal bit3 = lane3 loss off signal bit2 = lane2 loss off signal bit1 = lane1 loss off signal bit0 = lane0 loss off signal | No default |

| REGISTER NAME: config110 – Address: 0x6E, Default: 0x0000 | | | | | |
|---|------------|-------|----------------|--|---------------|
| Register Name | Addr (Hex) | Bit | Name | Function | Default Value |
| config110 | 0x6E | 15:14 | sfrac_coef0_ab | Small delay fractional filter tap0: Valid values [-2 to 1] | 00 |
| | | 13:9 | sfrac_coef1_ab | Small delay fractional filter tap1: Valid values [-16 to 15] | 00000 |
| | | 8:1 | sfrac_coef2_ab | Small delay fractional filter tap2: Valid values [-128 127] | 00000000 |
| | | 0 | reserved | Reserved | 0 |

| REGISTER NAME: config111 – Address: 0x6F, Default: 0x0000 | | | | | |
|---|------------|-------|----------------|--|---------------|
| Register Name | Addr (Hex) | Bit | Name | Function | Default Value |
| config111 | 0x6F | 15:10 | reserved | Reserved | 000000 |
| | | 9:0 | sfrac_coef3_ab | Small delay fractional filter tap3: Valid values [-512 to 511] | 0000000000 |

| REGISTER NAME: config112 – Address: 0x70, Default: 0x0000 | | | | | |
|---|------------|------|----------------------|--|---------------|
| Register Name | Addr (Hex) | Bit | Name | Function | Default Value |
| config112 | 0x70 | 15:0 | sfrac_coef4_ab(15:0) | Small delay fractional filter tap4: Valid values [-262144 to 262143] | 0x0000 |

| REGISTER NAME: config113 – Address: 0x71, Default: 0x0000 | | | | | |
|---|------------|-------|-----------------------|--|---------------|
| Register Name | Addr (Hex) | Bit | Name | Function | Default Value |
| config113 | 0x71 | 15:13 | sfrac_coef4_ab(18:16) | Upper bits of small delay fraction filter tap4. | 000 |
| | | 12:10 | reserved | Reserved | 000 |
| | | 9:0 | sfrac_coef5_ab | Small delay fractional filter tap5: Valid values [-512 to 511] | 0000000000 |

| REGISTER NAME: config114 – Address: 0x72, Default: 0x0000 | | | | | |
|---|------------|------|----------------|--|---------------|
| Register Name | Addr (Hex) | Bit | Name | Function | Default Value |
| config114 | 0x72 | 15:9 | reserved | Reserved | 00000000 |
| | | 8:0 | sfrac_coef6_ab | Small delay fractional filter tap6: Valid values [-256 to 255] | 0000000000 |

| REGISTER NAME: config115 – Address: 0x73, Default: 0x0000 | | | | | |
|---|------------|------|----------------|--|---------------|
| Register Name | Addr (Hex) | Bit | Name | Function | Default Value |
| config115 | 0x73 | 15:9 | sfrac_coef7_ab | Small delay fractional filter tap7: Valid values [-64 to 63] | 00000000 |
| | | 8:4 | sfrac_coef8_ab | Small delay fractional filter tap8: Valid values [-16 to 15] | 000000 |
| | | 3:2 | sfrac_coef9_ab | Small delay fractional filter tap9: Valid values [-2 to 1] | 00 |
| | | 1:0 | Not Used | Not Used | 00 |

| REGISTER NAME: config116 – Address: 0x74, Default: 0x0000 | | | | | |
|---|------------|------|------------------------|---|---------------|
| Register Name | Addr (Hex) | Bit | Name | Function | Default Value |
| config116 | 0x74 | 15:0 | sfrac_invgain_ab(15:0) | Controls the divide amount in the small fractional delay gain computation: Valid values [-524288 to 524284] | 0x0000 |

| REGISTER NAME: config117 – Address: 0x75, Default: 0x0000 | | | | | |
|---|------------|-------|-------------------------|--|---------------|
| Register Name | Addr (Hex) | Bit | Name | Function | Default Value |
| config117 | 0x75 | 15:12 | sfrac_invgain_ab(19:16) | Upper bits of the small fraction delay FIR gain value. | 0000 |
| | | 11:3 | reserved | Reserved | 0000000000 |
| | | 5:3 | lfrac_coefssel_a | Selected that coefficients used for the A data path FIR5B or large fractional delay FIR. | 000 |
| | | 2:0 | lfrac_coefssel_b | Selected that coefficients used for the B data path FIR5B or large fractional delay FIR. | 000 |

| REGISTER NAME: config118 – Address: 0x76, Default: 0x0000 | | | | | |
|---|------------|-------|----------------|--|---------------|
| Register Name | Addr (Hex) | Bit | Name | Function | Default Value |
| config118 | 0x76 | 15:14 | sfrac_coef0_cd | Small delay fractional filter tap0: Valid values [-2 to 1] | 00 |
| | | 13:9 | sfrac_coef1_cd | Small delay fractional filter tap1: Valid values [-16 to 15] | 00000 |
| | | 8:1 | sfrac_coef2_cd | Small delay fractional filter tap2: Valid values [-128 127] | 00000000 |
| | | 0 | reserved | Reserved | 0 |

| REGISTER NAME: config119 – Address: 0x77, Default: 0x0000 | | | | | |
|---|------------|-------|----------------|--|---------------|
| Register Name | Addr (Hex) | Bit | Name | Function | Default Value |
| config119 | 0x77 | 15:10 | reserved | Reserved | 000000 |
| | | 9:0 | sfrac_coef3_cd | Small delay fractional filter tap3: Valid values [-512 to 511] | 0000000000 |

| REGISTER NAME: config120 – Address: 0x78, Default: 0x0000 | | | | | |
|---|------------|------|----------------------|--|---------------|
| Register Name | Addr (Hex) | Bit | Name | Function | Default Value |
| config120 | 0x78 | 15:0 | sfrac_coef4_cd(15:0) | Small delay fractional filter tap4: Valid values [-262144 to 262143] | 0x0000 |

| REGISTER NAME: config121 – Address: 0x79, Default: 0x0000 | | | | | |
|---|------------|-------|-----------------------|--|---------------|
| Register Name | Addr (Hex) | Bit | Name | Function | Default Value |
| config121 | 0x79 | 15:13 | sfrac_coef4_cd(18:16) | Upper bits of small delay fraction filter tap4. | 000 |
| | | 12:10 | reserved | Reserved | 000 |
| | | 9:0 | sfrac_coef5_cd | Small delay fractional filter tap5: Valid values [-512 to 511] | 0000000000 |

| REGISTER NAME: config122 – Address: 0x7A, Default: 0x0000 | | | | | |
|---|------------|------|----------------|--|---------------|
| Register Name | Addr (Hex) | Bit | Name | Function | Default Value |
| config122 | 0x7A | 15:9 | reserved | Reserved | 0000000 |
| | | 8:0 | sfrac_coef6_cd | Small delay fractional filter tap6: Valid values [-256 to 255] | |

| REGISTER NAME: config123 – Address: 0x7B, Default: 0x0000 | | | | | |
|---|------------|------|----------------|--|---------------|
| Register Name | Addr (Hex) | Bit | Name | Function | Default Value |
| config123 | 0x7B | 15:9 | sfrac_coef7_cd | Small delay fractional filter tap7: Valid values [-64 to 63] | 0000000 |
| | | 8:4 | sfrac_coef8_cd | Small delay fractional filter tap8: Valid values [-16 to 15] | 00000 |
| | | 3:2 | sfrac_coef9_cd | Small delay fractional filter tap9: Valid values [-2 to 1] | 00 |
| | | 1:0 | Not Used | Not Used | 00 |

| REGISTER NAME: config124 – Address: 0x7C, Default: 0x0000 | | | | | |
|---|------------|------|------------------------|---|---------------|
| Register Name | Addr (Hex) | Bit | Name | Function | Default Value |
| config124 | 0x7C | 15:0 | sfrac_invgain_cd(15:0) | Controls the divide amount in the small fractional delay gain computation: Valid values [-524288 to 524284] | 0x0000 |

| REGISTER NAME: config125 – Address: 0x7D, Default: 0x0000 | | | | | |
|---|------------|-------|-------------------------|--|---------------|
| Register Name | Addr (Hex) | Bit | Name | Function | Default Value |
| config125 | 0x7D | 15:12 | sfrac_invgain_cd(19:16) | Upper bits of the small fraction delay FIR gain value. | 0000 |
| | | 11:6 | reserved | Reserved | 000000000 |
| | | 5:3 | lfrac_coefssel_c | Selected that coefficients used for the C data path FIR5B or large fractional delay FIR. | 000 |
| | | 2:0 | lfrac_coefssel_d | Selected that coefficients used for the D data path FIR5B or large fractional delay FIR. | 000 |

| REGISTER NAME: config126 – Address: 0x7E, Default: 0x0000 | | | | | |
|---|------------|-------|----------|----------|---------------|
| Register Name | Addr (Hex) | Bit | Name | Function | Default Value |
| config126 | 0x7E | 15:12 | reserved | Reserved | 0000 |
| | | 11:8 | reserved | Reserved | 0000 |
| | | 7:4 | reserved | Reserved | 0000 |
| | | 3:0 | reserved | Reserved | 0000 |

| REGISTER NAME: config127 – Address: 0x7F, Default: 0x0009 | | | | | |
|---|------------|-------|-------------------------|--|---------------|
| Register Name | Addr (Hex) | Bit | Name | Function | Default Value |
| config127 READ ONLY/No RESET Value | 0x7F | 15 | memin_efc_autoload_done | Goes high when the autoload from the fusefarm is done. | 0 |
| | | 14:10 | memin_efc_error | Resulting error code from last Fusefarm instruction | 00000 |
| | | 9:8 | not used | Not Used | 00 |
| | | 7:5 | not used | Not Used | 000 |
| | | 4:3 | vendorid | This is the vendor ID. It shouldn't change but will have access to change through a hardwire connection outside the DIG block. | 01 |
| | | 2:0 | versionid | A hardwired register that contains the version of the chip. This value is accessible outside the DIG block for changing. | 001 |

CLOCKING MODES

The DAC37J84/DAC38J84 has a single differential clock DACCLKN/P to clock the DAC cores and internal digital logic. The DAC37J84/DAC38J84 DACCLK can be sourced directly or generated through an on-chip low-jitter phase-locked loop (PLL).

In those applications requiring extremely low noise it is recommended to bypass the PLL and source the DAC clock directly from a high-quality external clock to the DACCLK input. In most applications system clocking can be simplified by using the on-chip PLL to generate the DAC core clock while still satisfying performance requirements. In this case the DACCLK pins are used as the reference frequency input to the PLL.

PLL Bypass Mode

In PLL bypass mode a high quality clock is sourced to the DACCLK inputs. This clock is used to directly clock the DAC37J84/DAC38J84 DAC cores. This mode gives the device best performance and is recommended for extremely demanding applications.

The bypass mode is selected by setting the following:

1. ***pll_ena*** bit in register *config49* to “0” to bypass the PLL circuitry.
2. ***pll_sleep*** bit in register *config26* to “1” to put the PLL and VCO into sleep mode.

PLL Mode

In this mode the clock at the DACCLK input functions as a reference clock source to the on-chip PLL. The on-chip PLL will then multiply this reference clock to supply a higher frequency DAC cores clock. Figure 6 shows the block diagram of the PLL circuit, where N divider ratio ranges from 1 to 32, M divider ratio ranges from 1 to 256, and VCO prescaler divider from 2 to 18.

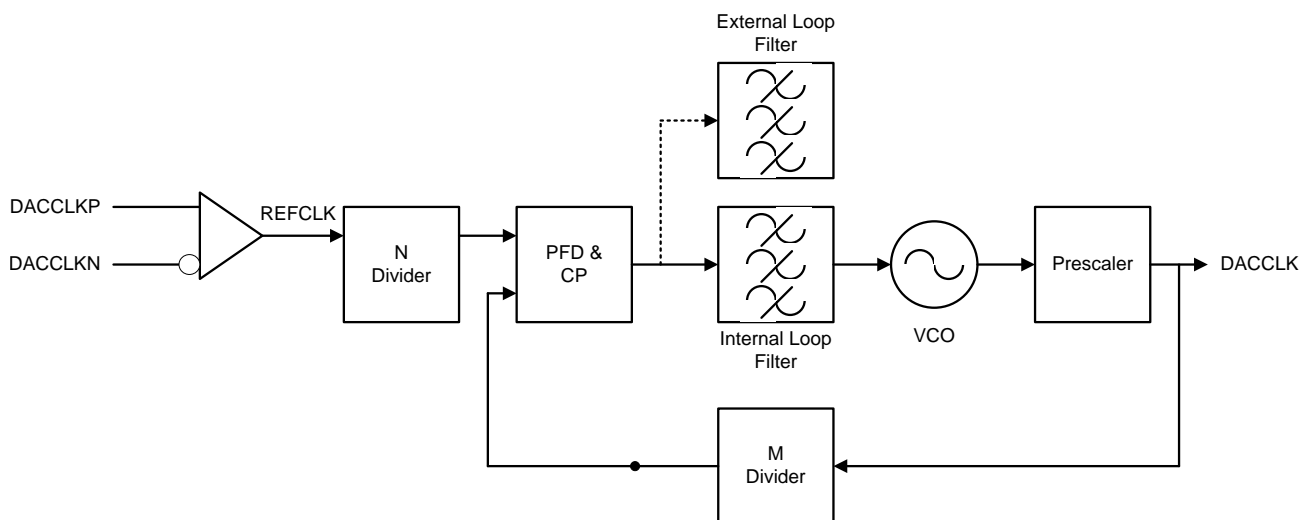


Figure 6. PLL Block Diagram

The DAC37J84/DAC38J84 PLL mode is selected by setting the following:

1. ***pll_ena*** bit in register *config49* to “1” to route to the PLL and clock path.
2. ***pll_sleep*** bit in register *config26* to “0” to enable the PLL and VCO.

The output frequency of the VCO covers two frequency spans: H-band (4.44–5.6GHz) and L-band (3.7–4.66GHz). When ***pll_vcose1*** in register *config51* is “1”, the L-band is selected; when ***pll_vcose1*** is “0”, the H-band is selected. At each band, the VCO range can be further adjusted by using the 6-bits ***pll_vco*** in register *config51*. Common wireless infrastructure frequencies are generated from this VCO frequency in conjunction with the pre-scaler setting ***pll_p*** in register *config50* as shown in Table 15. When there are multiple valid VCO frequency and the pre-scaler settings to generate the same desired DACCLK frequency, higher pre-scaler divider ratio is recommended for better phase noise performance.

Table 15. VCO Operation

| VCO Frequency (MHz) | pll_vcose1 | Pre-Scale Divider | Desired DACCLK (MHz) | pll_p(3:0) |
|---------------------|------------|-------------------|----------------------|------------|
| 4915.2 | 0 | 2 | 2457.6 | 0000 |
| 3932.16 | 1 | 2 | 1966.08 | 0000 |
| 4423.68 | 1 | 3 | 1474.56 | 0001 |
| 4915.2 | 0 | 4 | 1228.8 | 0010 |
| 4915.2 | 0 | 5 | 983.04 | 0011 |
| 5160.96 | 0 | 7 | 737.28 | 0101 |
| 4915.2 | 0 | 8 | 614.4 | 0110 |
| 4915.2 | 0 | 10 | 491.52 | 0111 |

The M divider is used to determine the phase-frequency-detector (PFD) and charge-pump (CP) frequency.

Table 16. PFD and CP Operation

| DACCLK Frequency (MHz) | M Divider | PFD Update Rate (MHz) | pll_m(7:0) |
|------------------------|-----------|-----------------------|------------|
| 1474.56 | 12 | 122.88 | 00001011 |
| 1474.56 | 24 | 61.44 | 00010111 |
| 1474.56 | 48 | 30.72 | 00101111 |
| 1474.56 | 64 | 15.36 | 00111111 |

The N divider in the loop allows the PFD to operate at a lower frequency than the reference clock.

The overall divide ratio inside the loop is the product of the Pre-Scale and M dividers (P*M). The 5-bit *pll_cp_adj* is to set the charge pump current from 0 to 1.55mA with a step of 50µA. In nominal condition, if vco runs at 5GHz with P-ratio and M-ratio set as 2 and 4, the DACCLK frequency would be 2.5GHz and PFD frequency 625MHz. This needs 600µA charge pump current to stabilize the loop and gives the optimized phase noise performance. When P*M ratio increases, the charge pump current needs to be increased accordingly to sustain enough phase margin for the loop. By tuning the charge pump current, a wide range of PM ratio can be supported with the internal loop filter. In very extreme cases when the P*M ratio is huge (ex. PFD frequency of 10MHz, VCO frequency of 4GHz) and the loop cannot be stabilized even with the largest charge pump current, an external loop filter is required.

If an external filter is required, the following filter should be connected to the LPF pin (C9):

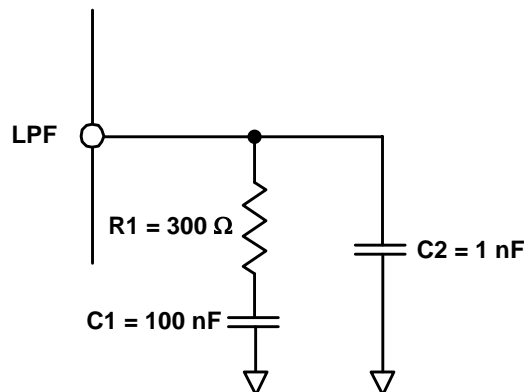


Figure 7. Recommended External Loop Filter

MULTI-DEVICE SYNCHRONIZATION

In many applications, such as multi antenna systems where the various transmit channels information is correlated, it is required that the latency across the link is deterministic and multiple DAC devices are completely synchronized such that their outputs are phase aligned. DAC37J84/DAC38J84 achieves the deterministic latency using SYSREF (JESD204B Subclass 1).

SYSREF is generated from the same clock domain as DACCLK, and is sampled at the rising edges of the device clock. It can be periodic, single-shot or “gapped” periodic. After having resynchronized its local multiframe clock (LMFC) to SYSREF, the DAC will request a link re-initialization via SYNC interface. Processing of the signal on the SYSREF input can be enabled and disabled via the SPI interface.

INPUT MULTIPLEXER

The DAC37J84/DAC38J84 includes a multiplexer after the JESD204B interface that allows any input stream A-B to be routed to any signal channel A-B. See *pathx_in_sel* for details on how to configure the cross-bar switches.

FIR FILTERS

through show the magnitude spectrum response for the FIR0, FIR1, FIR2 and FIR3 interpolating filters where f_{IN} is the input data rate to the FIR filter. to show the composite filter response for 2x, 4x, 8x and 16x interpolation. The transition band for all interpolation settings is from 0.4 to $0.6 \times f_{DATA}$ (the input data rate to the device) with < 0.001 dB of pass-band ripple and > 90 dB stop-band attenuation.

The DAC37J84/DAC38J84 includes a no interpolation 1x mode. However, the input data rate in this mode is limited to 1230MSPS. See more details in [Table 11](#) and [Table 12](#).

The DAC37J84/DAC38J84 also has a 9-tap inverse sinc filter (FIR4) that runs at the DAC update rate (f_{DAC}) that can be used to flatten the frequency response of the sample-and-hold output. The DAC sample-and-hold output sets the output current and holds it constant for one DAC clock cycle until the next sample, resulting in the well-known $\sin(x)/x$ or $\text{sinc}(x)$ frequency response (, red line). The inverse sinc filter response (, blue line) has the opposite frequency response from 0 to $0.4 \times f_{DAC}$, resulting in the combined response (, green line). Between 0 to $0.4 \times f_{DAC}$, the inverse sinc filter compensates the sample-and-hold roll-off with less than 0.03 dB error.

The inverse sinc filter has a gain > 1 at all frequencies. Therefore, the signal input to FIR4 must be reduced from full scale to prevent saturation in the filter. The amount of back-off required depends on the signal frequency, and is set such that at the signal frequencies the combination of the input signal and filter response is less than 1 (0 dB). For example, if the signal input to FIR4 is at $0.25 \times f_{DAC}$, the response of FIR4 is 0.9 dB, and the signal must be backed off from full scale by 0.9 dB to avoid saturation. The gain function in the QMC blocks can be used to reduce the amplitude of the input signal. The advantage of FIR4 having a positive gain at all frequencies is that the user is then able to optimize the back-off of the signal based on its frequency.

The filter taps for all digital filters are listed in [Table 17](#). Note that the loss of signal amplitude may result in lower SNR due to decrease in signal amplitude.

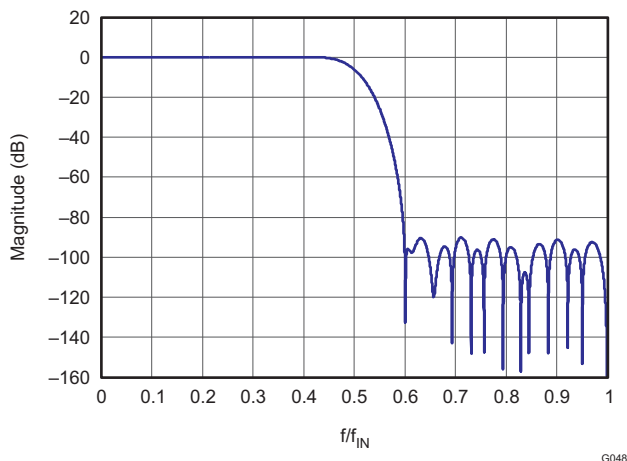


Figure 8. Magnitude Spectrum for FIR0

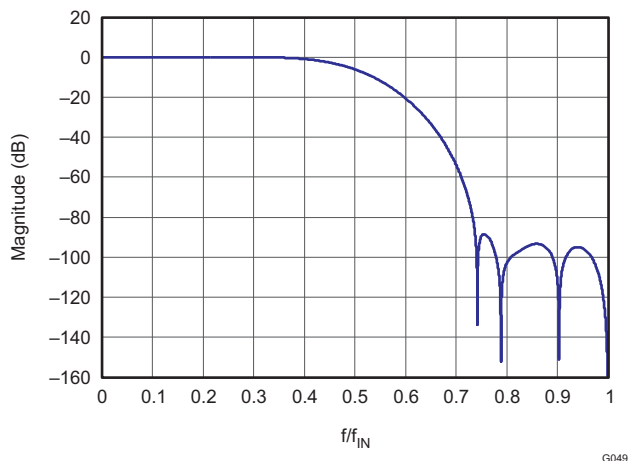


Figure 9. Magnitude Spectrum for FIR1

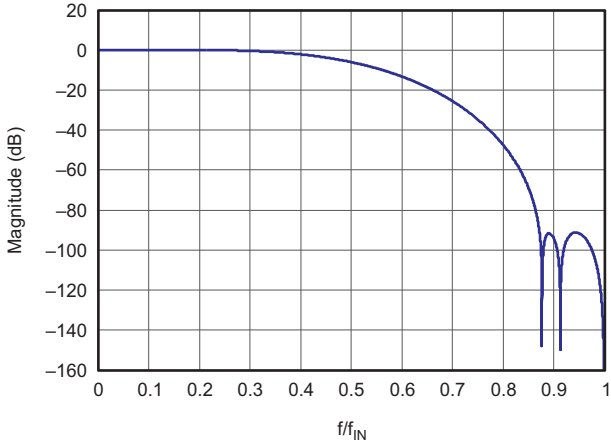


Figure 10. Magnitude Spectrum for FIR2

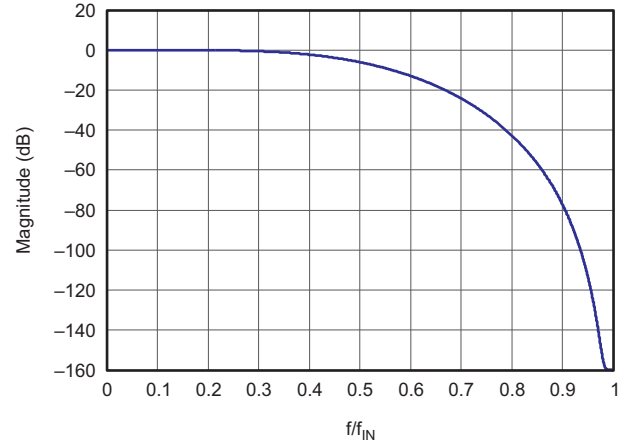


Figure 11. Magnitude Spectrum for FIR3

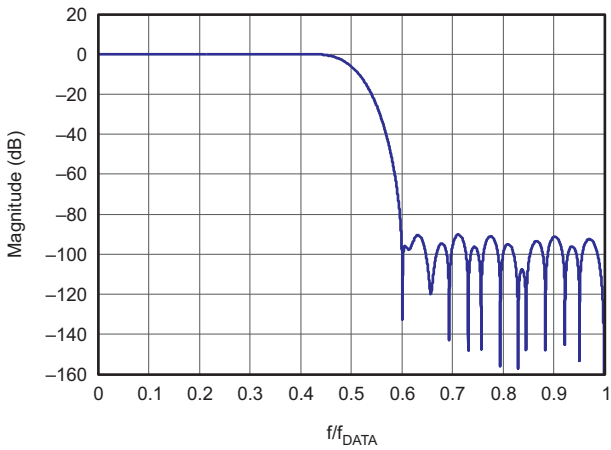


Figure 12. 2x Interpolation Composite Response

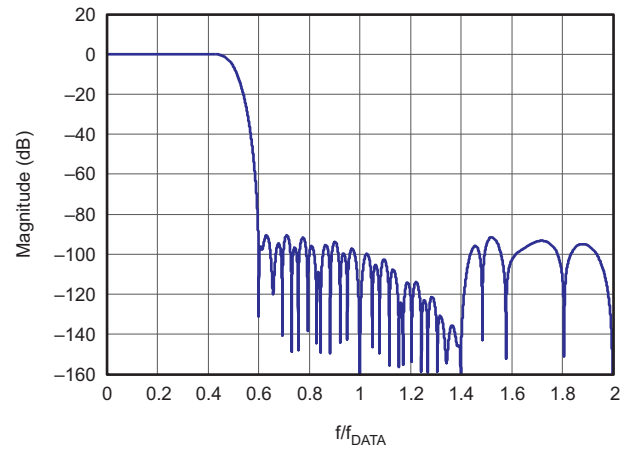


Figure 13. 4x Interpolation Composite Response

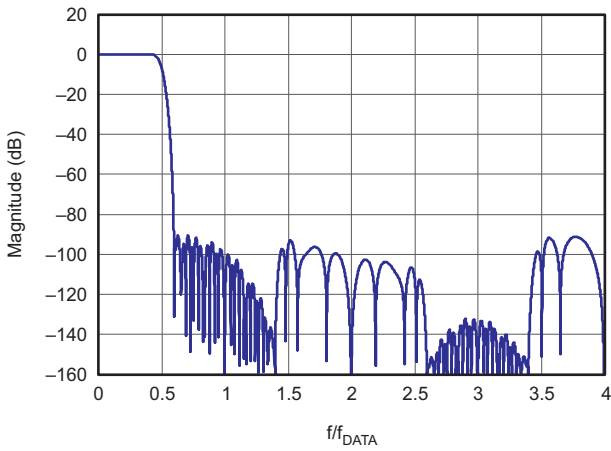


Figure 14. 8x Interpolation Composite Response

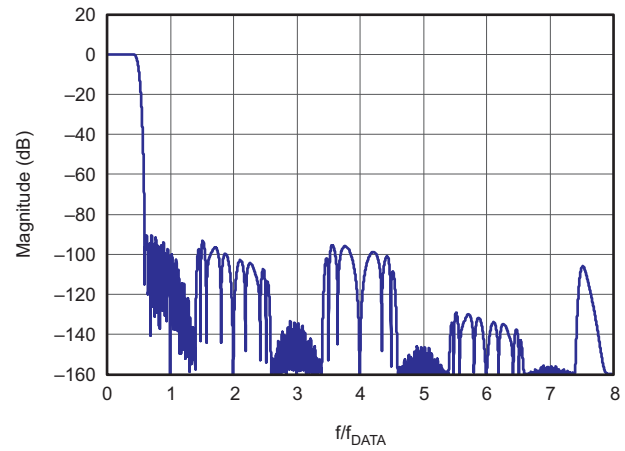


Figure 15. 16x Interpolation Composite Response

PRODUCT PREVIEW

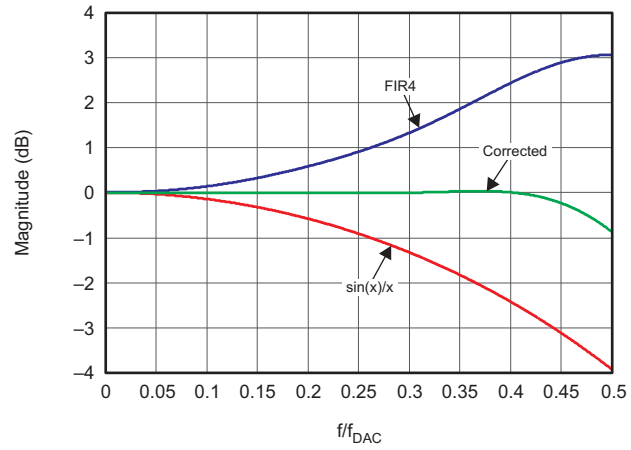


Figure 16. Magnitude Spectrum for Inverse Sinc Filter

PRODUCT PREVIEW

Table 17. FIR Filter Coefficients

| 2x Interpolating Half-band Filters | | | | | | | | Non-Interpolating Inverse-SINC Filter | |
|------------------------------------|--------|-----------------------------|-------|----------------------------|------|---------------------------|-----|---------------------------------------|-----|
| FIR0 | | FIR1 | | FIR2 | | FIR3 | | FIR4 | |
| 59 Taps | | 23 Taps | | 11 Taps | | 11 Taps | | 9 Taps | |
| 6 | 6 | -12 | -12 | 29 | 29 | 3 | 3 | 1 | 1 |
| 0 | 0 | 0 | 0 | 0 | 0 | 0 | 0 | -4 | -4 |
| -19 | -19 | 84 | 84 | -214 | -214 | -25 | -25 | 13 | 13 |
| 0 | 0 | 0 | 0 | 0 | 0 | 0 | 0 | -50 | -50 |
| 47 | 47 | -336 | -336 | 1209 | 1209 | 150 | 150 | 592 ⁽¹⁾ | |
| 0 | 0 | 0 | 0 | 2048 ⁽¹⁾ | | 256 ⁽¹⁾ | | | |
| -100 | -100 | 1006 | 1006 | | | | | | |
| 0 | 0 | 0 | 0 | | | | | | |
| 192 | 192 | -2691 | -2691 | | | | | | |
| 0 | 0 | 0 | 0 | | | | | | |
| -342 | -342 | 10141 | 10141 | | | | | | |
| 0 | 0 | 16384 ⁽¹⁾ | | | | | | | |
| 572 | 572 | | | | | | | | |
| 0 | 0 | | | | | | | | |
| -914 | -914 | | | | | | | | |
| 0 | 0 | | | | | | | | |
| 1409 | 1409 | | | | | | | | |
| 0 | 0 | | | | | | | | |
| -2119 | -2119 | | | | | | | | |
| 0 | 0 | | | | | | | | |
| 3152 | 3152 | | | | | | | | |
| 0 | 0 | | | | | | | | |
| -4729 | -4729 | | | | | | | | |
| 0 | 0 | | | | | | | | |
| 7420 | 7420 | | | | | | | | |
| 0 | 0 | | | | | | | | |
| -13334 | -13334 | | | | | | | | |
| 0 | 0 | | | | | | | | |
| 41527 | 41527 | | | | | | | | |
| 65536 ⁽¹⁾ | | | | | | | | | |

(1) CENTER TAPS ARE HIGHLIGHTED IN BOLD

FULL COMPLEX MIXER

The DAC37J84/DAC38J84 has two full complex mixer (FMIX) blocks with independent Numerically Controlled Oscillators (NCO) that enables flexible frequency placement without imposing additional limitations in the signal bandwidth. The NCOs have 48-bit frequency registers (***phaseaddab*** (47:0) and ***phaseaddcd*** (47:0)) and 16-bit phase registers (***phaseoffsetab*** (15:0) and ***phaseoffsetcd*** (15:0)) that generate the sine and cosine terms for the complex mixing. The NCO block diagram is shown in [Figure 17](#).

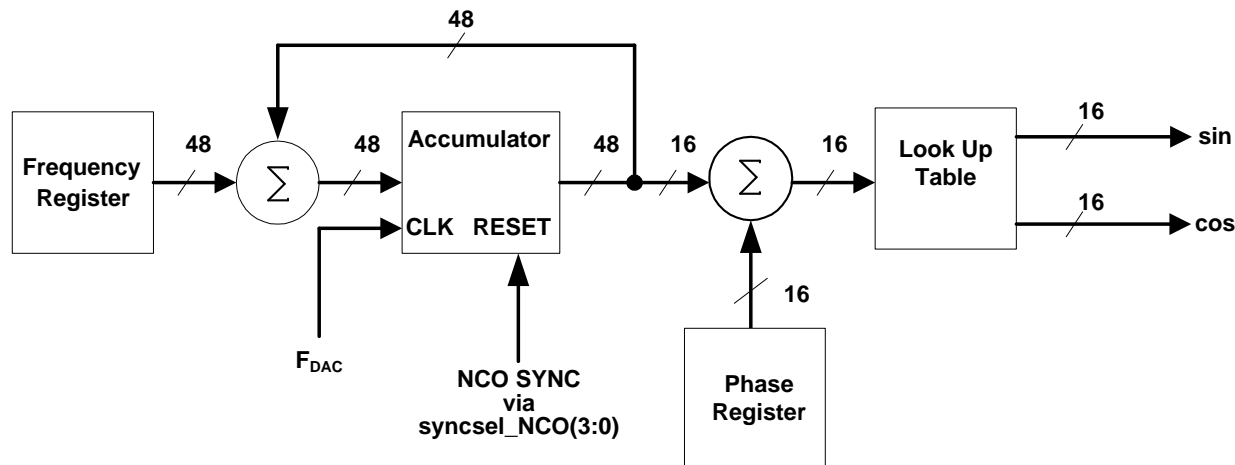


Figure 17. NCO Block Diagram

Synchronization of the NCOs occurs by resetting the NCO accumulators to zero. The synchronization source is selected by **syncsel_NCO** (3:0) in **config31**. The frequency word in the **phaseaddab** (47:0) and **phaseaddcd** (47:0) registers is added to the accumulators every clock cycle, f_{DAC} . The output frequency of the NCO is

$$f_{NCO} = \frac{freq \times f_{NCO_CLK}}{2^{48}}$$

Treating the two complex channels in the DAC37J84/DAC38J84 as complex vectors of the form $I + jQ$, the output of FMIX $I_{OUT}(t)$ and $Q_{OUT}(t)$ is

$$I_{OUT}(t) = (I_{IN}(t)\cos(2\pi f_{NCO}t + \delta) - Q_{IN}(t)\sin(2\pi f_{NCO}t + \delta)) \times 2^{(mixer_gain - 1)}$$

$$Q_{OUT}(t) = (I_{IN}(t)\sin(2\pi f_{NCO}t + \delta) + Q_{IN}(t)\cos(2\pi f_{NCO}t + \delta)) \times 2^{(mixer_gain - 1)}$$

where t is the time since the last resetting of the NCO accumulator, δ is the phase offset value and $mixer_gain$ is either 0 or 1. δ is given by:

$$\delta = 2\pi \times phase_offsetAB/CD (15:0)/2^{16}$$

A block diagram of the mixer is shown in Figure 18. The complex mixer can be used as a digital quadrature modulator with a real output simply by only using the I_{OUT} branch and ignoring the Q_{OUT} branch.

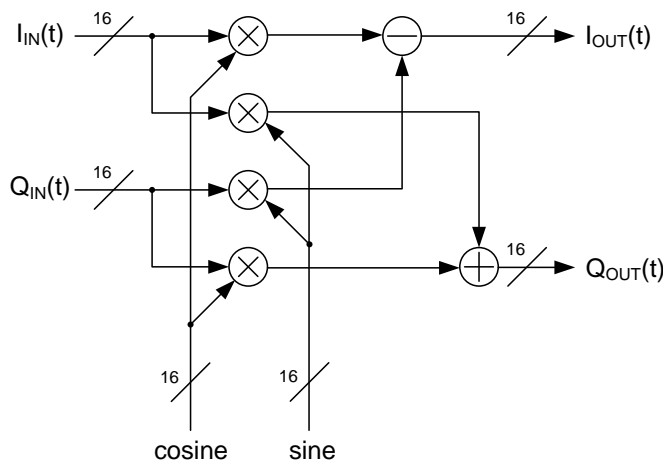


Figure 18. Complex Mixer Block Diagram

The maximum output amplitude of FMIX occurs if $I_{IN}(t)$ and $Q_{IN}(t)$ are simultaneously full scale amplitude and the sine and cosine arguments are equal to $2\pi \times f_{NCO}t + \delta (2N-1) \times \pi/4$ ($N = 1, 2, \dots$).

With *mixer_gain* = 0 in *config2*, the gain through FMIX is $\sqrt{2}/2$ or -3 dB. This loss in signal power is in most cases undesirable, and it is recommended that the gain function of the QMC block be used to increase the signal by 3 dB to compensate. With *mixer_gain* = 1, the gain through FMIX is $\sqrt{2}$ or $+3$ dB, which can cause clipping of the signal if $I_{IN}(t)$ and $Q_{IN}(t)$ are simultaneously near full scale amplitude and should therefore be used with caution.

COARSE MIXER

In addition to the full complex mixers the DAC37J84/DAC38J84 also has a coarse mixer block capable of shifting the input signal spectrum by the fixed mixing frequencies $\pm n \times f_s/8$. Using the coarse mixer instead of the full mixers will result in lower power consumption.

Treating the two complex channels as complex vectors of the form $I(t) + j Q(t)$, the outputs of the coarse mixer, $I_{OUT}(t)$ and $Q_{OUT}(t)$ are equivalent to:

$$I_{OUT}(t) = I(t)\cos(2\pi f_{CMIX}t) - Q(t)\sin(2\pi f_{CMIX}t)$$

$$Q_{OUT}(t) = I(t)\sin(2\pi f_{CMIX}t) + Q(t)\cos(2\pi f_{CMIX}t)$$

where f_{CMIX} is the fixed mixing frequency selected by *cmix*=(*fs8*, *fs4*, *fs2*, *fsm4*). The mixing combinations are described in [Table 18](#).

Table 18. Coarse Mixer Combinations

| cmix(3:0) | Fs/8 Mixer cmix(3) | Fs/4 Mixer cmix(2) | Fs/2 Mixer cmix(1) | -Fs/4 Mixer cmix(0) | Mixing Mode |
|------------|-----------------------|-----------------------|-----------------------|------------------------|-----------------|
| 0000 | Disabled | Disabled | Disabled | Disabled | No mixing |
| 0001 | Disabled | Disabled | Disabled | Enabled | $-Fs/4$ |
| 0010 | Disabled | Disabled | Enabled | Disabled | $Fs/2$ |
| 0100 | Disabled | Enabled | Disabled | Disabled | $+Fs/4$ |
| 1000 | Enabled | Disabled | Disabled | Disabled | $+Fs/8$ |
| 1010 | Enabled | Disabled | Enabled | Disabled | $-3Fs/8$ |
| 1100 | Enabled | Enabled | Disabled | Disabled | $+3Fs/8$ |
| 1110 | Enabled | Enabled | Enabled | Disabled | $-Fs/8$ |
| All others | — | — | — | — | Not recommended |

DITHERING

DAC37J84/DAC38J84 supports the addition of a band limited dither to the DAC output after the complex mixer. This feature is enabled by set *dither_ena* to "1" and can be useful in reducing the high order harmonics. The generated dithering sequence can be optionally up-converted to an offset of $Fs/2$ by setting *dither_mixer_ena* to "1". The added dithering sequence has variable amplitude in 6 dB steps via *dither_sra_sel*.

COMPLEX SUMMATION

The DAC37J84/DAC38J84 has a complex summation block which is to sum channel A with channel C, channel B with Channel D, and the resulted complex summation are divided by 2 and sent via channel A and channel B. This feature is enabled by set *output_sum* to "1" and can be useful for multi-band application.

QUADRATURE MODULATION CORRECTION (QMC)

Gain and Phase Correction

The DAC37J84/DAC38J84 includes a Quadrature Modulator Correction (QMC) block. The QMC blocks provide a mean for changing the gain and phase of the complex signals to compensate for any I and Q imbalances present in an analog quadrature modulator. The block diagram for the QMC block is shown in [Figure 19](#). The QMC block contains 3 programmable parameters.

Registers *qmc_gaina/b* (10:0) and *qmc_gainc/d* (10:0) controls the I and Q path gains and is an 11-bit unsigned value with a range of 0 to 1.9990 and the default gain is 1.0000. The implied decimal point for the multiplication is between bit 9 and bit 10. The resolution allows suppression to > 65 dBc for a frequency independent IQ imbalance (the fine delay FIR block also contains gain control through the filter taps or inverse gain block that allows control with > 20 bits resolution, which can be used to improve the sideband suppression).

Register *qmc_phaseab/cd* (11:0) control the phase imbalance between I and Q and are a 12-bit values with a range of -0.5 to approximately 0.49975. The QMC phase term is not a direct phase rotation but a constant that is multiplied by each "Q" sample then summed into the "I" sample path. This is an approximation of a true phase rotation in order to keep the implementation simple. The resolution of the phase term allows suppression to > 80 dBc for a frequency independent IQ imbalance.

LO feed-through can be minimized by adjusting the DAC offset feature described below.

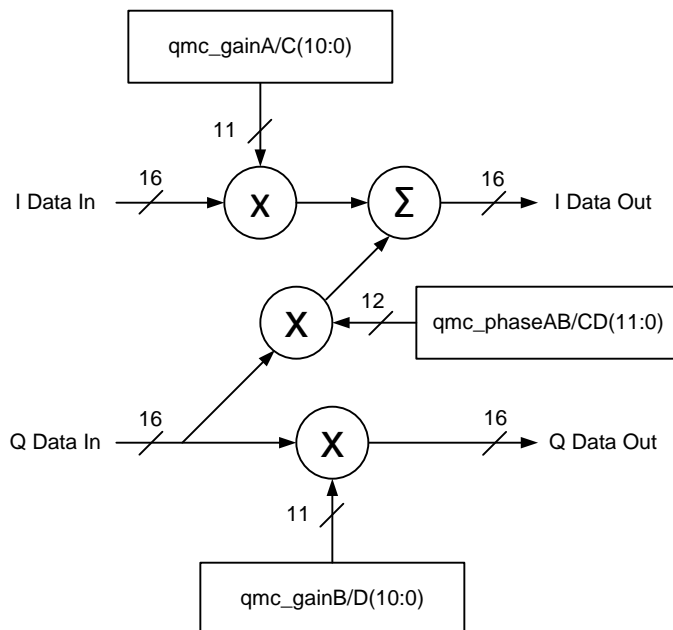
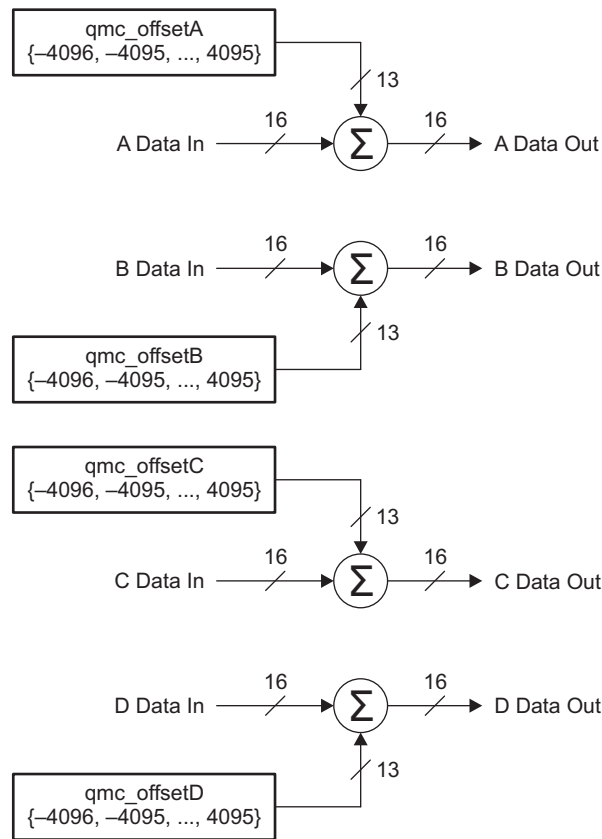


Figure 19. QMC Block Diagram

Offset Correction

Registers *qmc_offseta* (12:0), *qmc_offsetb* (12:0), *qmc_offsetc* (12:0) and *qmc_offsetd* (12:0) can be used to independently adjust the DC offsets of each channel. The offset values are represented in 2s-complement format with a range from -4096 to 4095. The LSB resolution of the offset allows LO suppression to better than 90 dBFS.

The offset value adds a digital offset to the digital data before digital-to-analog conversion. Since the offset is added directly to the data it may be necessary to back off the signal to prevent saturation. Both data and offset values are LSB aligned.



B0165-03

Figure 20. Digital Offset Block Diagram

GROUP DELAY CORRECTION BLOCK

A complex transmitter system typically is consisted of a DAC, reconstruction filter network, and I/Q modulator. Besides the gain and phase mismatch contribution, there could also be timing mismatch contribution from each components. For instance, the timing mismatch could come from the PCB trace length variation between the I and Q channels and the group delay variation from the reconstruction filter. This timing mismatch in the complex transmitter system creates phase mismatch that varies linearly with respect to frequency. To compensate for the I/Q imbalances due to this mismatch, the DAC37J84/DAC38J84 has group delay correction block for each DAC channel.

DAC38J84/DAC37J84 incorporates 2 FIR filters for small fractional group delay and 4 FIR filters for large fractional group delay. The input data to this block consists of 2, complex data (I/Q) channels i.e. 4 buses of 16-bit data. Control bits from configuration registers select the data path for all inputs through this block. Each input can either go through the small fractional delay filter (while its conjugate part goes through the matched delay line) or bypass the small fractional delay sub-block completely (matched delay line is bypassed for the conjugate part). The input to the large fractional delay F can either come from the output of small fractional delay sub-block or the original input to the block. The large fractional delay sub-block can also be completely bypassed if desired.

DAC38J84/DAC37J84 also include an integer delay block following each large fractional group delay filter, which can further delay the DAC output by $[0-3] \times T_{dac}$. Channel A&B share the same control signal **output_delayab**, and channel C&D share the same control signal **output_delaycd**, which means that channel A&B have the same integer delay, and channel C&D have the same integer delay.

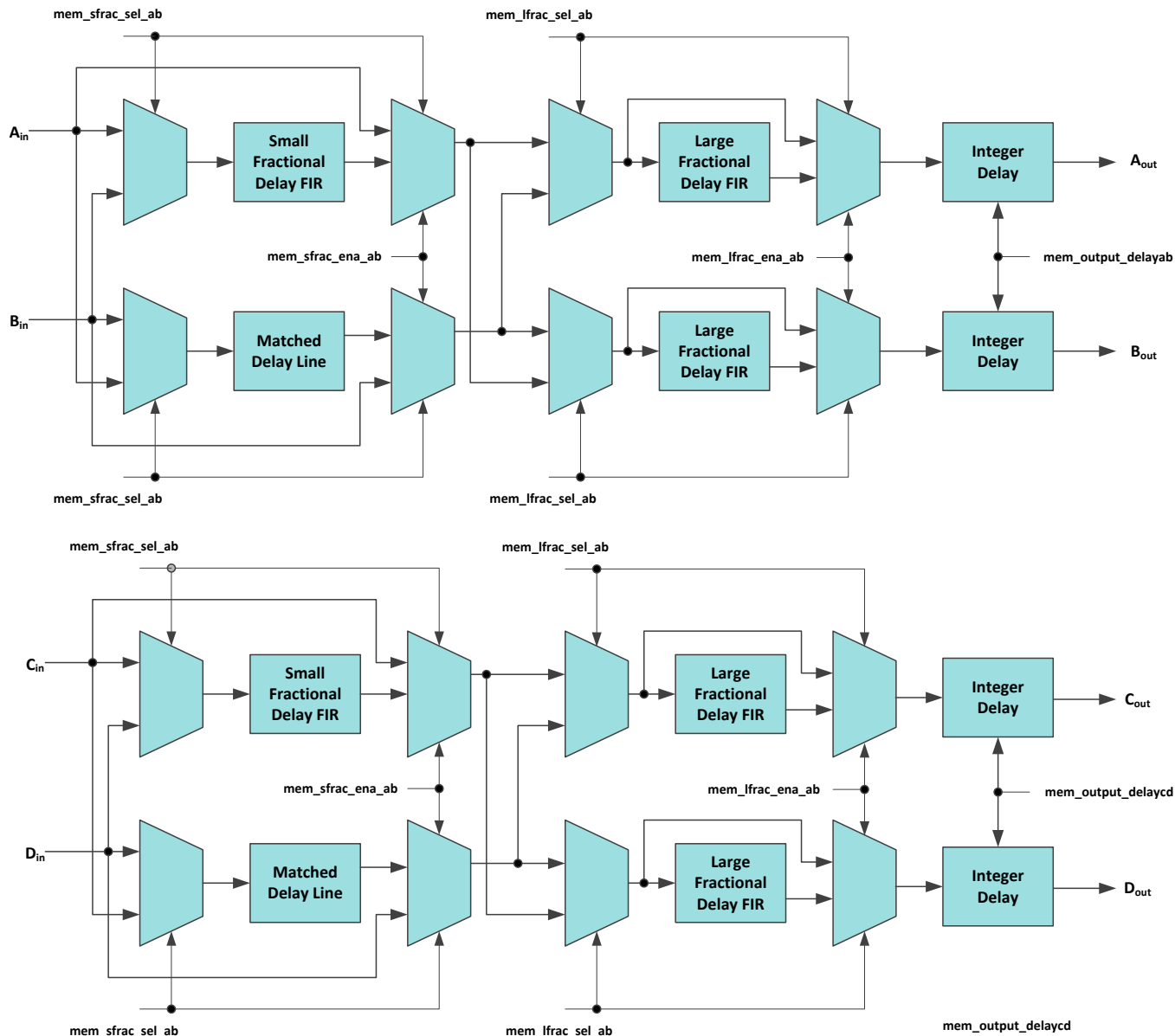


Figure 21. Diagram of Group Delay Correction

Fine Fractional Delay FIR Filter

The coefficients of the FIR filters for small fractional delay are programmable to user defined values which allows users to implement their own filter transfer functions. Filter designs supporting group delay variation in the range $[0.002 \ 0.198] \times T_{dac}$, where T is the time period of DAC Clock, is listed in Table 20. The bit widths of all coefficients are fixed, which puts limits on the range of values each coefficient can acquire.

Table 19. Small Fractional Delay FIR Coefficient Range

| COEFFICIENT | RANGE |
|-------------|------------------|
| C0 | [-2,1] |
| C1 | [-16,15] |
| C2 | [-128,127] |
| C3 | [-512,511] |
| C4 | [-262144,262143] |

Table 19. Small Fractional Delay FIR Coefficient Range (continued)

| COEFFICIENT | RANGE |
|-------------|------------|
| C5 | [-512,511] |
| C6 | [-256,255] |
| C7 | [-64,63] |
| C8 | [-16,15] |
| C9 | [-2,1] |

Table 20. Example Coefficient Sets for the Small Fractional Delay

| C0 | C1 | C2 | C3 | C4 | C5 | C6 | C7 | C8 | C9 | InvGain Numerator | Delay [Tdac] |
|----|-----|----|------|--------|-----|------|----|----|----|-------------------|--------------|
| 1 | -12 | 64 | -273 | 195897 | 393 | -137 | 43 | -9 | 1 | 5479 | 0.002 |
| 1 | -12 | 64 | -272 | 97872 | 393 | -137 | 43 | -9 | 1 | 10963 | 0.004 |
| 1 | -12 | 64 | -271 | 65138 | 394 | -137 | 43 | -9 | 1 | 16465 | 0.006 |
| 1 | -12 | 64 | -270 | 48873 | 395 | -137 | 43 | -9 | 1 | 21936 | 0.008 |
| 1 | -12 | 64 | -270 | 39068 | 395 | -137 | 43 | -9 | 1 | 27431 | 0.01 |
| 1 | -12 | 64 | -269 | 32555 | 396 | -137 | 43 | -9 | 1 | 32904 | 0.012 |
| 1 | -12 | 63 | -269 | 27892 | 396 | -137 | 43 | -9 | 1 | 38390 | 0.014 |
| 1 | -12 | 63 | -268 | 24387 | 397 | -138 | 43 | -9 | 1 | 43889 | 0.016 |
| 1 | -12 | 63 | -267 | 21666 | 398 | -138 | 43 | -9 | 1 | 49377 | 0.018 |
| 1 | -12 | 63 | -267 | 19496 | 398 | -138 | 43 | -9 | 1 | 54850 | 0.02 |
| 1 | -12 | 63 | -266 | 17722 | 399 | -138 | 43 | -9 | 1 | 60309 | 0.022 |
| 1 | -12 | 63 | -265 | 16235 | 400 | -138 | 43 | -9 | 1 | 65797 | 0.024 |
| 1 | -12 | 63 | -265 | 14981 | 400 | -138 | 43 | -9 | 1 | 71274 | 0.026 |
| 1 | -12 | 63 | -264 | 13907 | 401 | -138 | 43 | -9 | 1 | 76734 | 0.028 |
| 1 | -12 | 63 | -263 | 12973 | 402 | -138 | 43 | -9 | 1 | 82210 | 0.03 |
| 1 | -12 | 63 | -263 | 12159 | 402 | -138 | 43 | -9 | 1 | 87674 | 0.032 |
| 1 | -12 | 63 | -262 | 11439 | 403 | -138 | 43 | -9 | 1 | 93134 | 0.034 |
| 1 | -12 | 63 | -262 | 10798 | 404 | -138 | 43 | -9 | 1 | 98608 | 0.036 |
| 1 | -12 | 62 | -261 | 10227 | 404 | -139 | 43 | -9 | 1 | 104075 | 0.038 |
| 1 | -12 | 62 | -261 | 9714 | 405 | -139 | 43 | -9 | 1 | 109510 | 0.04 |
| 1 | -12 | 62 | -260 | 9246 | 406 | -139 | 43 | -9 | 1 | 114974 | 0.042 |
| 1 | -12 | 62 | -259 | 8823 | 406 | -139 | 43 | -9 | 1 | 120415 | 0.044 |
| 1 | -12 | 62 | -259 | 8435 | 407 | -139 | 43 | -9 | 1 | 125878 | 0.046 |
| 1 | -12 | 62 | -258 | 8080 | 408 | -139 | 43 | -9 | 1 | 131312 | 0.048 |
| 1 | -12 | 62 | -257 | 7754 | 408 | -139 | 43 | -9 | 1 | 136748 | 0.05 |
| 1 | -12 | 62 | -257 | 7454 | 409 | -139 | 43 | -9 | 1 | 142161 | 0.052 |
| 1 | -12 | 62 | -256 | 7174 | 410 | -139 | 43 | -9 | 1 | 147593 | 0.054 |
| 1 | -12 | 62 | -256 | 6916 | 411 | -139 | 43 | -9 | 1 | 152998 | 0.056 |
| 1 | -12 | 62 | -255 | 6675 | 411 | -139 | 43 | -9 | 1 | 158416 | 0.058 |
| 1 | -12 | 62 | -255 | 6450 | 412 | -139 | 43 | -9 | 1 | 163830 | 0.06 |
| 1 | -12 | 61 | -254 | 6239 | 413 | -140 | 43 | -9 | 1 | 169280 | 0.062 |
| 1 | -12 | 61 | -253 | 6042 | 413 | -140 | 43 | -9 | 1 | 174677 | 0.064 |
| 1 | -12 | 61 | -253 | 5856 | 414 | -140 | 43 | -9 | 1 | 180098 | 0.066 |
| 1 | -12 | 61 | -252 | 5683 | 415 | -140 | 43 | -9 | 1 | 185416 | 0.068 |
| 1 | -12 | 61 | -252 | 5518 | 416 | -140 | 43 | -9 | 1 | 190820 | 0.07 |
| 1 | -12 | 61 | -251 | 5363 | 416 | -140 | 43 | -9 | 1 | 196189 | 0.072 |
| 1 | -12 | 61 | -251 | 5215 | 417 | -140 | 43 | -9 | 1 | 201604 | 0.074 |

PRODUCT PREVIEW

Table 20. Example Coefficient Sets for the Small Fractional Delay (continued)

| C0 | C1 | C2 | C3 | C4 | C5 | C6 | C7 | C8 | C9 | InvGain Numerator | Delay [Tdac] |
|----|-----|----|------|------|-----|------|----|----|----|-------------------|--------------|
| 1 | -12 | 61 | -250 | 5076 | 418 | -140 | 43 | -9 | 1 | 206927 | 0.076 |
| 1 | -12 | 61 | -249 | 4944 | 419 | -140 | 43 | -9 | 1 | 212244 | 0.078 |
| 1 | -12 | 61 | -249 | 4819 | 419 | -140 | 43 | -9 | 1 | 217621 | 0.08 |
| 1 | -12 | 61 | -248 | 4700 | 420 | -140 | 43 | -9 | 1 | 222907 | 0.082 |
| 1 | -12 | 61 | -248 | 4586 | 421 | -141 | 43 | -9 | 1 | 228310 | 0.084 |
| 1 | -12 | 60 | -247 | 4477 | 422 | -141 | 43 | -9 | 1 | 233676 | 0.086 |
| 1 | -12 | 60 | -247 | 4375 | 422 | -141 | 43 | -9 | 1 | 238981 | 0.088 |
| 1 | -12 | 60 | -246 | 4275 | 423 | -141 | 43 | -9 | 1 | 244310 | 0.09 |
| 1 | -12 | 60 | -246 | 4181 | 424 | -141 | 44 | -9 | 1 | 249533 | 0.092 |
| 1 | -12 | 60 | -245 | 4090 | 425 | -141 | 44 | -9 | 1 | 254803 | 0.094 |
| 1 | -12 | 60 | -245 | 4003 | 425 | -141 | 44 | -9 | 1 | 260175 | 0.096 |
| 1 | -12 | 60 | -244 | 3920 | 426 | -141 | 44 | -9 | 1 | 265384 | 0.098 |
| 1 | -12 | 60 | -243 | 3840 | 427 | -141 | 44 | -9 | 1 | 270600 | 0.1 |
| 1 | -12 | 60 | -243 | 3763 | 428 | -141 | 44 | -9 | 1 | 275884 | 0.102 |
| 1 | -12 | 60 | -242 | 3690 | 429 | -141 | 44 | -9 | 1 | 281011 | 0.104 |
| 1 | -12 | 60 | -242 | 3619 | 429 | -142 | 44 | -9 | 1 | 286408 | 0.106 |
| 1 | -12 | 60 | -241 | 3550 | 430 | -142 | 44 | -9 | 1 | 291619 | 0.108 |
| 1 | -12 | 60 | -241 | 3484 | 431 | -142 | 44 | -9 | 1 | 296860 | 0.11 |
| 1 | -12 | 59 | -240 | 3421 | 432 | -142 | 44 | -9 | 1 | 302037 | 0.112 |
| 1 | -12 | 59 | -240 | 3360 | 433 | -142 | 44 | -9 | 1 | 307222 | 0.114 |
| 1 | -12 | 59 | -239 | 3300 | 433 | -142 | 44 | -9 | 1 | 312498 | 0.116 |
| 1 | -12 | 59 | -239 | 3243 | 434 | -142 | 44 | -9 | 1 | 317675 | 0.118 |
| 1 | -12 | 59 | -238 | 3188 | 435 | -142 | 44 | -9 | 1 | 322736 | 0.12 |
| 1 | -12 | 59 | -238 | 3134 | 436 | -142 | 44 | -9 | 1 | 327960 | 0.122 |
| 1 | -12 | 59 | -237 | 3082 | 437 | -142 | 44 | -9 | 1 | 333046 | 0.124 |
| 1 | -12 | 59 | -237 | 3033 | 438 | -143 | 44 | -9 | 1 | 338186 | 0.126 |
| 1 | -12 | 59 | -236 | 2984 | 438 | -143 | 44 | -9 | 1 | 343378 | 0.128 |
| 1 | -11 | 59 | -236 | 2937 | 439 | -143 | 44 | -9 | 1 | 348391 | 0.13 |
| 1 | -11 | 59 | -235 | 2891 | 440 | -143 | 44 | -9 | 1 | 353437 | 0.132 |
| 1 | -11 | 59 | -235 | 2847 | 441 | -143 | 44 | -9 | 1 | 358511 | 0.134 |
| 1 | -11 | 58 | -234 | 2804 | 442 | -143 | 44 | -9 | 1 | 363611 | 0.136 |
| 1 | -11 | 58 | -234 | 2762 | 443 | -143 | 44 | -9 | 1 | 368730 | 0.138 |
| 1 | -11 | 58 | -233 | 2722 | 443 | -143 | 44 | -9 | 1 | 373735 | 0.14 |
| 1 | -11 | 58 | -233 | 2682 | 444 | -143 | 44 | -9 | 1 | 378879 | 0.142 |
| 1 | -11 | 58 | -232 | 2644 | 445 | -143 | 44 | -9 | 1 | 383753 | 0.144 |
| 1 | -11 | 58 | -232 | 2607 | 446 | -143 | 44 | -9 | 1 | 388755 | 0.146 |
| 1 | -11 | 58 | -231 | 2570 | 447 | -144 | 44 | -9 | 1 | 393889 | 0.148 |
| 1 | -11 | 58 | -231 | 2535 | 448 | -144 | 44 | -9 | 1 | 398864 | 0.15 |
| 1 | -11 | 58 | -230 | 2501 | 449 | -144 | 44 | -9 | 1 | 403662 | 0.152 |
| 1 | -11 | 58 | -230 | 2467 | 449 | -144 | 44 | -9 | 1 | 408889 | 0.154 |
| 1 | -11 | 58 | -229 | 2435 | 450 | -144 | 44 | -9 | 1 | 413614 | 0.156 |
| 1 | -11 | 58 | -229 | 2403 | 451 | -144 | 44 | -9 | 1 | 418613 | 0.158 |
| 1 | -11 | 58 | -228 | 2372 | 452 | -144 | 44 | -9 | 1 | 423400 | 0.16 |
| 1 | -11 | 57 | -228 | 2342 | 453 | -144 | 44 | -9 | 1 | 428468 | 0.162 |
| 1 | -11 | 57 | -227 | 2313 | 454 | -144 | 44 | -9 | 1 | 433135 | 0.164 |
| 1 | -11 | 57 | -227 | 2284 | 455 | -144 | 44 | -9 | 1 | 438083 | 0.166 |

Table 20. Example Coefficient Sets for the Small Fractional Delay (continued)

| C0 | C1 | C2 | C3 | C4 | C5 | C6 | C7 | C8 | C9 | InvGain Numerator | Delay [Tdac] |
|----|-----|----|------|------|-----|------|----|----|----|-------------------|--------------|
| 1 | -11 | 57 | -226 | 2256 | 456 | -145 | 44 | -9 | 1 | 442963 | 0.168 |
| 1 | -11 | 57 | -226 | 2228 | 457 | -145 | 44 | -9 | 1 | 447952 | 0.17 |
| 1 | -11 | 57 | -225 | 2202 | 458 | -145 | 44 | -9 | 1 | 452483 | 0.172 |
| 1 | -11 | 57 | -225 | 2175 | 459 | -145 | 44 | -9 | 1 | 457495 | 0.174 |
| 1 | -11 | 57 | -224 | 2150 | 459 | -145 | 44 | -9 | 1 | 462222 | 0.176 |
| 1 | -11 | 57 | -224 | 2125 | 460 | -145 | 44 | -9 | 1 | 467047 | 0.178 |
| 1 | -11 | 57 | -223 | 2100 | 461 | -145 | 44 | -9 | 1 | 471767 | 0.18 |
| 1 | -11 | 57 | -223 | 2076 | 462 | -145 | 44 | -9 | 1 | 476583 | 0.182 |
| 1 | -11 | 57 | -223 | 2053 | 463 | -145 | 44 | -9 | 1 | 481283 | 0.184 |
| 1 | -11 | 57 | -222 | 2030 | 464 | -145 | 44 | -9 | 1 | 485856 | 0.186 |
| 1 | -11 | 57 | -222 | 2008 | 465 | -146 | 44 | -9 | 1 | 490741 | 0.188 |
| 1 | -11 | 56 | -221 | 1986 | 466 | -146 | 44 | -9 | 1 | 495497 | 0.19 |
| 1 | -11 | 56 | -221 | 1964 | 467 | -146 | 44 | -9 | 1 | 500346 | 0.192 |
| 1 | -11 | 56 | -220 | 1943 | 468 | -146 | 44 | -9 | 1 | 504815 | 0.194 |
| 1 | -11 | 56 | -220 | 1923 | 469 | -146 | 44 | -9 | 1 | 509365 | 0.196 |
| 1 | -11 | 56 | -219 | 1903 | 470 | -146 | 44 | -9 | 1 | 513752 | 0.198 |

Coarse Fractional Delay FIR Filter

The coefficients of FIR filters for large fractional delay can only be chosen from a predefined set of values. Each set of values produces a specific delay with a step of 1/8xTdac. The value of coefficients as well as their resultant fractional delay is provided in [Table 21](#).

Table 21. Available Coefficient Sets for Large Fractional Delay FIR

| lfrs_coefsel_x | C0 | C1 | C2 | C3 | C4 | C5 | C6 | C7 | InvGain Numerator | Delay [Tdac] |
|----------------|----|----|-----|-----|-----|-----|----|----|-------------------|--------------|
| 000 | -1 | 9 | -39 | 532 | 76 | -24 | 7 | -1 | 7503 | 0.1250 |
| 001 | -1 | 8 | -35 | 259 | 87 | -25 | 7 | -1 | 14028 | 0.2500 |
| 010 | -1 | 7 | -31 | 168 | 101 | -26 | 7 | -1 | 18725 | 0.3750 |
| 011 | -1 | 7 | -27 | 122 | 122 | -27 | 7 | -1 | 20764 | 0.5000 |
| 100 | — | — | — | — | — | — | — | — | — | — |
| 101 | -1 | 7 | -26 | 101 | 168 | -31 | 7 | -1 | 18725 | 0.6250 |
| 110 | -1 | 7 | -25 | 87 | 259 | -35 | 8 | -1 | 14028 | 0.7500 |
| 111 | -1 | 7 | -24 | 76 | 532 | -39 | 9 | -1 | 7503 | 0.8750 |

OUTPUT MULTIPLEXER

The DAC37J84/DAC38J84 includes an output multiplexer before the digital to analog converters that allows any signal channel A-D to be routed to any DAC A-D. See [pathx_out_sel](#) for details on how to configure the cross-bar switches.

POWER MEASUREMENT AND POWER AMPLIFIER PROTECTION

DAC37J84/DAC38J84 provides an optional mechanism to protect the Power Amplifier (PA) in cases when the signal power shows some abnormality. For example, if the data clock is lost, the FIFO would automatically generate a single tone signal, which causes abnormally high average power and could be dangerous to the PA. In the PA protection mechanism, the signal power is monitored by maintaining a sliding window accumulation of last N samples. N is selectable to be 64 or 128 based on the setting of [pap_dlylen_sel](#). The average amplitude

of input signal is computed by dividing accumulated value by the number of samples in the delay-line (N). The result is then compared against a threshold (*pap_vth*). If the threshold is violated, the delayed input signal is divided by a value chosen by *pap_gain*, to form a scaled down version of the input signal. Since PAP output derives from a delay-line, there is deterministic latency of at least N cycles from the block input to block output. The PA protection is enabled by setting the *pap_ena* bit to “1”.

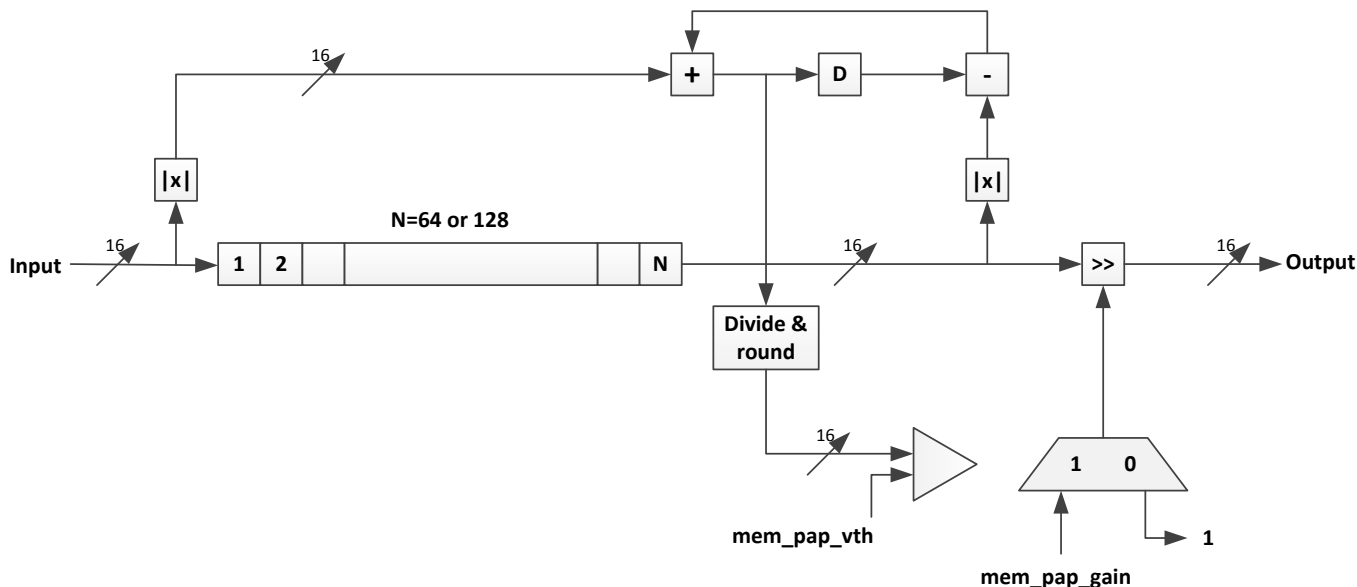


Figure 22. Diagram of Power Measurement and PA Protection Mechanism

SERDES TEST MODES

DAC37J84/DAC38J84 supports a number of basic pattern generation and verification of SerDes via SIF. Three pseudo random bit stream (PRBS) sequences are available, along with an alternating 0/1 pattern and a 20-bit user-defined sequence. The 2^7-1 , $2^{23}-1$ or $2^{31}-1$ sequences implemented can often be found programmed into standard test equipment, such as a Bit Error Rate Tester (BERT). Pattern generation and verification selection is via the **TESTPATT** fields of *rw_cfg_rx0*[14:12], as shown in Table 22.

Table 22. SerDes Test Pattern Selection

| TESTPATT | EFFECT |
|----------|---|
| 000 | Test mode disabled. |
| 001 | Alternating 0/1 Pattern. An alternating 0/1 pattern with a period of 2UI. |
| 010 | Generate or Verify 2^7-1 PRBS. Uses a 7-bit LFSR with feedback polynomial $x^7 + x^6 + 1$. |
| 011 | Generate or Verify $2^{23}-1$ PRBS. Uses an ITU O.150 conformant 23-bit LFSR with feedback polynomial $x^{23} + x^{18} + 1$. |
| 100 | Generate or Verify $2^{31}-1$ PRBS. Uses an ITU O.150 conformant 31-bit LFSR with feedback polynomial $x^{31} + x^{28} + 1$. |
| 101 | User-defined 20-bit pattern. Uses the USR PATT IEEE1500 Tuning instruction field to specify the pattern. The default value is 0x666666. |
| 11x | Reserved |

Pattern verification compares the output of the serial to parallel converter with an expected pattern. When there is a mismatch, the **TESTFAIL** bit is driven high, which can be programmed to come out the ALARM pin by setting *dtestf*[3:0] to “0011”.

DAC37J84/DAC38J84 also provide a number of advanced diagnostic capabilities controlled by the IEEE 1500 interface. These are:

- Accumulation of pattern verification errors;
- The ability to map out the width and height of the receive eye, known as Eye Scan;
- Real-time monitoring of internal voltages and currents;

The SerDes blocks support the following IEEE1500 instructions:

Table 23. IEEE1500 Instruction for SerDes Receivers

| INSTRUCTION | Opcode | DESCRIPTION |
|---------------|--------|--|
| ws_bypass | 0x00 | Bypass. Selects a 1-bit bypass data register. Use when accessing other macros on the same IEEE1500 scan chain. |
| ws_cfg | 0x35 | Configuration. Write protection options for other instructions. |
| ws_core | 0x30 | Core. Fields also accessible via dedicated core-side ports. |
| ws_tuning | 0x31 | Tuning. Fields for fine tuning macro performance. |
| ws_debug | 0x32 | Debug. Fields for advanced control, manufacturing test, silicon characterization and debug |
| ws_unshadowed | 0x34 | Unshadowed. Fields for silicon characterization. |
| ws_char | 0x33 | Char. Fields used for eye scan. |

The data for each SerDes instruction is formed by chaining together sub-components called head, body (receiver or transmitter) and tail. DAC37J84/DAC38J84 uses two SerDes receiver blocks R0 and R1, each of which contains 4 receive lanes (channels), the data for each IEEE1500 instruction is formed by chaining **{head, receive lane 0, receive lane 1, receive lane 2, receive lane 3, tail}**. A description of bits in head, body and tail for each instruction is given as follows:

NOTE

All multi-bit signals in each chain are packed with bits reversed e.g. *mpy*[7:0] in *ws_core* head subchain is packed as {*retime*, *enpll*, *mpy*[0:7], *vrange*, **lb**[0:1]}. All DATA REGISTER READS from SerDes Block R0 should read 1 bit more than the desired number of bits and discard the first bit received on TDO e.g., to read 40-bit data from R0 block, 41 bits should be read off from TDO and the first bit received should be discarded. Similarly, any data written to SerDes Block R0 Data Registers should be prefixed with an extra 0.

Table 24. ws_cfg Chain

| FIELD | DESCRIPTION |
|--|----------------------------|
| HEAD (STARTING FROM THE MSB OF CHAIN) | |
| RETIME | No function. |
| CORE_WE | Core chain write enable. |
| RECEIVER (FOR EACH LANE 0,1,2,3) | |
| CORE_WE | Core chain write enable. |
| TUNING_WE | Tuning chain write enable. |
| DEBUG_WE | Reserved. |
| CHAR_WE | Char chain write enable. |
| UNSHADOWED_WE | Reserved. |
| TAIL (ENDING WITH THE LSB OF CHAIN) | |
| CORE_WE | Core chain write enable. |
| TUNING_WE | Tuning chain write enable. |
| DEBUG_WE | Reserved. |
| RETIME | No function. |
| CHAIN LENGTH = 26 BITS | |

Table 25. ws_core Chain

| FIELD | DESCRIPTION |
|--|----------------------|
| HEAD (STARTING FROM THE MSB OF CHAIN) | |
| RETIME | No function. |
| ENPLL | PLL enable. |
| MPY[7:0] | PLL multiply. |
| VRANGE | VCO range. |
| ENDIVCLK | Enable DIVCLK output |

Table 25. ws_core Chain (continued)

| FIELD | DESCRIPTION |
|--|---|
| LB[1:0] | Loop bandwidth |
| RECEIVER (FOR EACH LANE 0,1,2,3) | |
| ENRX | Receiver enable. |
| SLEEPRX | Receiver sleep mode. |
| BUSWIDTH[2:0] | Bus width. |
| RATE[1:0] | Operating rate. |
| INVPAIR | Invert polarity. |
| TERM[2:0] | Termination. |
| ALIGN[1:0] | Symbol alignment. |
| LOS[2:0] | Loss of signal enable. |
| CDR[2:0] | Clock/data recovery. |
| EQ[2:0] | Equalizer. |
| EQHLD | Equalizer hold. |
| ENOC | Offset compensation. |
| LOOPBACK[1:0] | Loopback. |
| BSINRXP | Boundary scan initialization. |
| BSINRXN | Boundary scan initialization. |
| RESERVED | Reserved. |
| testpatt[2:0] | Testpattern selection. |
| TESTFAIL | Test failure (real time). |
| LOSDTCT | Loss of signal detected (real time). |
| BSRXP | Boundary scan data. |
| BSRXN | Boundary scan data. |
| OCIP | Offset compensation in progress. |
| EQOVER | Received signal over equalized. |
| EQUUNDER | Received signal under equalized. |
| LOSDTCT | Loss of signal detected (sticky). |
| SYNC | Re-alignment done, or aligned comma output (sticky) |
| RETIME | No function. |
| TAIL (ENDING WITH THE LSB OF CHAIN) | |
| CLKBYP[1:0] | Clock bypass. |
| SLEEPPLL | PLL sleep mode. |
| RESERVED | Reserved. |
| LOCK | PLL lock (real time). |
| BSINITCLK | Boundary scan initialization clock. |
| ENBSTX | Enable Tx boundary scan. |
| ENBSRX | Enable Rx boundary scan. |
| ENBSPT | Rx pulse boundary scan. |
| RESERVED | Reserved. |
| NEARLOCK | PLL near to lock. |
| UNLOCK | PLL lock (sticky). |
| CFG OVR | Configuration over-ride. |
| RETIME | No function. |
| CHAIN LENGTH = 196 BITS | |

Table 26. ws_tuning Chain

| FIELD | DESCRIPTION |
|--|---|
| HEAD (STARTING FROM THE MSB OF CHAIN) | |
| RETIME | No function. |
| RECEIVER (FOR EACH LANE 0,1,2,3) | |
| PATTERRTHR[2:0] | Resync error threshold. |
| PATT TIMER | PRBS Timer. |
| RXDSEL[3:0] | Status select. |
| ENCOR | Enable clear-on-read for error counter. |
| EQZERO[4:0] | EQZ OVRi Equalizer zero. |
| EQZ OVR | Equalizer zero over-ride. |
| EQLEVEL[15:0] | EQ OVRi Equalizer gain observe or set. |
| EQ OVR | Equalizer over-ride. |
| EQBOOST[1:0] | Equalizer gain boost. |
| RXASEL[2:0] | Selects amux output. |
| TAIL (ENDING WITH THE LSB OF CHAIN) | |
| ASEL[3:0] | Selects amux output. |
| USR PATT[19:0] | User-defined test pattern. |
| RETIME | No function. |
| CHAIN LENGTH = 174 BITS | |

Table 27. ws_char Chain

| FIELD | DESCRIPTION |
|--|-----------------------------------|
| HEAD (STARTING FROM THE MSB OF CHAIN) | |
| RETIME | No function. |
| RECEIVER (FOR EACH LANE 0,1,2,3) | |
| TESTFAIL | Test failure (sticky). |
| ECOUNT[11:0] | Error counter. |
| ESWORD[7:0] | Eye scan word masking. |
| ES[3:0] | Eye scan. |
| ESPO[6:0] | Eye scan phase offset. |
| ES BIT SELECT[4:0] | Eye scan compare bit select. |
| ESVO[5:0] | Eye scan voltage offset. |
| ESVO OVR | Eye scan voltage offset override. |
| ESLEN[1:0] | Eye scan run length. |
| ESRUN | Eye scan run. |
| ESDONE | Eye scan done. |
| TAIL (ENDING WITH THE LSB OF CHAIN) | |
| RETIME | No function. |
| CHAIN LENGTH = 194 BITS | |

ERROR COUNTER

All receive channels include a 12-bit counter for accumulating pattern verification errors. This counter is accessible via the ECOUNT IEEE1500 Char field. It is an essential part of the eye scan capability (see next section), though can be used independently of this..

The counter increments once for every cycle that the TESTFAIL bit is detected. The counter will not increment when at its maximum value (i.e., all 1s). When an IEEE1500 capture is performed, the count value is loaded into the ECOUNT scan elements (so that it can be scanned out), and the counter is then reset, provided ENCOR is set high.

ECOUNT can be used to get a measure of the bit error rate. However, as the error rate increases, it will become less accurate due to limitations of the pattern verification capabilities. Specifically, the pattern verifier checks multiple bits in parallel (as determined by the Rx bus width), and it is not possible to distinguish between 1 or more errors in this.

EYE SCAN

All receive channels provide features which facilitate mapping the received data eye or extracting a symbol response. A number of fields accessible via the IEEE1500 Char scan chain allow the required low level data to be gathered. The process of transforming this data into a map of the eye or a symbol response must then be performed externally, typically in software.

The basic principle used is as follows:

- Enable dedicated eye scan input samplers, and generate an error when the value sampled differs from the normal data sample;
- Apply a voltage offset to the dedicated eye scan input samplers, to effectively reduce their sensitivity;
- Apply a phase offset to adjust the point in the eye that the dedicated eye scan data samples are taken;
- Reset the error counter to remove any false errors accumulated as a result of the voltage or phase offset adjustments;
- Run in this state for a period of time, periodically checking to see if any errors have occurred;
- Change voltage and/or phase offset, and repeat.

Alternatively, the algorithm can be configured to optimize the voltage offset at a specified phase offset, over a specified time interval.

Eye scan can be used in both synchronous and asynchronous systems, while receiving normal data traffic. The IEEE1500 Char fields used to directly control eye scan and symbol response extraction are ES, ESWORD, ES BIT SELECT, ELEN, ESPO, ESVO, ESVO OVR, ESRUN and ESDONE, see [Table 27](#). Eye scan errors are accumulated in ECOUNT.

The required eyescan mode is selected via the ES field, as shown in [Table 28](#). When enabled, only data from the bit position within the 20-bit word specified via ES BIT SELECT is analyzed. In other words, only eye scan errors associated with data output at this bit position will accumulate in ECOUNT. The maximum legal ES BIT SELECT is 10011.

Table 28. Eye Scan Mode Selection

| ES[3:0] | EFFECT |
|--------------|--|
| 0000 | Disabled. Eye scan is disabled. |
| 0x01 | Compare. Counts mismatches between the normal sample and the eye scan sample if ES[2] = 0, and matches otherwise. |
| 0x10 | Compare zeros. As ES = 0x01, but only analyses zeros, and ignores ones. |
| 0x11 | Compare ones. As ES = 0x01, but only analyses ones, and ignores zeroes |
| 0100 | Count ones. Increments ECOUNT when the eye scan sample is a 1. |
| 1x00 | Average. Adjusts ESVO to the average eye opening over the time interval specified by ELEN. Analyses zeroes when ES[2] = 0, and ones when ES[2] = 1. |
| 1001 1110 | Outer. Adjusts ESVO to the outer eye opening (i.e. lowest voltage zero, highest voltage 1) over the time interval specified by ELEN. 1001 analyses zeroes, 1110 analyses ones. |
| 1010 1101 | Inner. Adjusts ESVO to the inner eye opening (i.e. highest voltage zero, lowest voltage 1) over the time interval specified by ELEN. 1010 analyses zeroes, 1101 analyses ones. |
| 1x11 | Timed Compare. As ES = 001x, but analyses over the time interval specified by ELEN. Analyses zeroes when ES[2] = 0, and ones when ES[2] = 1. |

When ES[3] = 0, the selected analysis runs continuously. However, when ES[3] = 1, only the number of qualified samples specified by ELEN, as shown in [Table 29](#). In this case, analysis is started by writing a 1 to ESRUN (it is not necessary to set it back to 0). When analysis completes, ESDONE will be set to 1.

Table 29. Eye Scan Run Length

| ESLen | Number of Samples Analyzed |
|-------|----------------------------|
| 00 | 127 |
| 01 | 1023 |
| 10 | 8095 |
| 11 | 65535 |

When ESVO OVR = 1, the ESVO field determines the amount of offset voltage that is applied to the eye scan data samplers associated with rxpi and rxni. The amount of offset is variable between 0 and 300mV in increments of ~10mV, as shown in [Table 30](#). When ES[3] = 1, ESVO OVR must be 0 to allow the optimized voltage offset to be read back via ESVO.

Table 30. Eye Scan Voltage Offset

| ESVO | Offset(mV) |
|--------|------------|
| 100000 | -310 |
| .. | .. |
| 111110 | -20 |
| 111111 | -10 |
| 000000 | 0 |
| 000001 | 10 |
| 000010 | 20 |
| .. | .. |
| 011111 | 300 |

The phase position of the samplers associated with rxpi and rxni, is controlled to a precision of 1/32UI. When ES is not 00, the phase position can be adjusted forwards or backwards by more than one UI using the ESPO field, as shown in [Figure 31](#). In normal use, the range should be limited to ±0.5UI (+15 to -16 phase steps).

Table 31. Eye Scan Phase Offset

| ESPO | Offset(1/32UI) |
|--------|----------------|
| 011111 | +63 |
| .. | .. |
| 000001 | +1 |
| 000000 | 0 |
| 111111 | -1 |
| .. | .. |
| 100000 | -64 |

JESD204B PATTERN TEST

DAC37J84/DAC38J84 supports the following test patterns for JESD204B:

- Link layer test pattern
 - Verify repeating /D.21.5/ high frequency pattern for random jitter (RJ)
 - Verify repeating /K.28.5/ mixed frequency pattern for deterministic jitter (DJ)
 - Verify repeating initial lane alignment (ILA) sequence
 - RPAT, JSPAT or JTSPAT pattern can be verified using errors counter of 8b/10b errors produced over an amount of time to get an estimate of BER.
- Transport layer test pattern: implements a short transport layer pattern check based on $F = 1, 2, 4$ or 8 . The short test pattern has a duration of one frame period and is repeated continuously for the duration of the test. Refer to JESD204B standard section 5.1.6 for more details.
 - $F = 1$: Looks for a constant 0xF1.
 - $F = 2$: Each frame should consist of 0xF1, 0xE2
 - $F = 4$: Looks for a constant 0xF1, 0xE2, 0xD3, 0xC4
 - $F = 8$: Each frame should consist of 0xF1, 0xE2, 0xD3, 0xC4, 0xB5, 0xA6, 0x97, 0x81

Users can select to output the internal data (ex, the 8b/10 decoder output, comma alignment output, lane alignment output, frame alignment output, descrambler output, etc) of a JESD link for test purpose. See *jesd_testbus_sel* for configuration details.

TEMPERATURE SENSOR

The DAC37J84/DAC38J84 incorporates a temperature sensor block which monitors the temperature by measuring the voltage across 2 transistors. The voltage is converted to an 8-bit digital word using a successive-approximation (SAR) analog to digital conversion process. The result is scaled, limited and formatted as a twos complement value representing the temperature in degrees Celsius.

The sampling is controlled by the serial interface signals SDENB and SCLK. If the temperature sensor is enabled (*tsense_sleep* = "0" in register *config26*) a conversion takes place each time the serial port is written or read. The data is only read and sent out by the digital block when the temperature sensor is read in *memin_tempdata* in *config7*. The conversion uses the first eight clocks of the serial clock as the capture and conversion clock, the data is valid on the falling eighth SCLK. The data is then clocked out of the chip on the rising edge of the ninth SCLK. No other clocks to the chip are necessary for the temperature sensor operation. As a result the temperature sensor is enabled even when the device is in sleep mode.

In order for the process described above to operate properly, the serial port read from *config6* must be done with an SCLK period of at least 1 μ s. If this is not satisfied the temperature sensor accuracy is greatly reduced.

ALARM MONITORING

The DAC37J84/DAC38J84 includes a flexible set of alarm monitoring that can be used to alert of a possible malfunction scenario. All the alarm events can be accessed either through the SIP registers and/or through the ALARM pin. Once an alarm is set, the corresponding alarm bit in register *config7bd* must be reset through the serial interface to allow further testing. The set of alarms includes the following conditions:

- *JESD alarms*
 - multiframe alignment_error. Occurs when multiframe alignment fails.
 - frame alignment error. Occurs when multiframe alignment fails.
 - link configuration error. Occurs when there is wrong link configuration.
 - elastic buffer overflow. Occurs when bad RBD value is used.
 - elastic buffer match error. Occurs when the first non-/K/ doesn't match the programmed data.
 - code synchronization error.
 - 8b/10b not-in-table decode error.
 - 8b/10 disparity error.
 - alarm_from_shorttest. Occurs when fails the short pattern test.
- *SerDes alarms*
 - memin_rw_losdct. Occurs when there are loss of signal detect from SerDes lanes.

- FIFO write error. Occurs if write request and FIFO is full.
- FIFO write full: Occurs if FIFO is full.
- FIFO read error. Occurs if read request and FIFO is empty.
- FIFO read empty: Occurs if FIFO is empty.
- alarm_rw0_pll. Occurs if the PLL in the SerDes block R0 goes out of clock.
- alarm_rw1_pll. Occurs if the PLL in the SerDes block R0 goes out of clock.
- **SYSREF alarm**
 - alarm_sysref_err. Occurs when the SYSREF is received at an unexpected time. If too many of these occur it will cause the JESD to go into synchronization mode again.
- **DAC PLL alarm**
 - alarm_from_pll. Occurs when the DAC PLL is out of lock.
- **PAP alarms**
 - alarm_pap. Occurs when the average power is above the threshold. While any alarm_pap is asserted the attenuation for the appropriate data path is applied.

LVPECL INPUTS

Figure 23 shows an equivalent circuit for the DAC input clock (DACCLKP/N) and the SYSREF (SYSREFP/N).

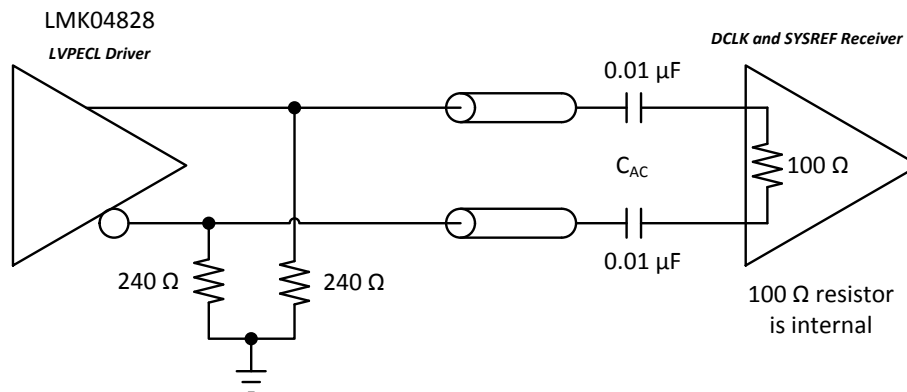


Figure 23. DACCLKP/N and SYSREFP/N Equivalent Input Circuit

CMOS DIGITAL INPUTS

Figure 24 shows a schematic of the equivalent CMOS digital inputs of the DAC37J84/DAC38J84. SDIO, SCLK, TCLK, SLEEP, TESTMODE and TXENABLE have pull-down resistors while SDENB, RESETB, TMS, TDI and TRSTB have pull-up resistors internal to the DAC37J84/DAC38J84. See the specification table for logic thresholds. The pull-up and pull-down circuitry is approximately equivalent to 100kΩ.

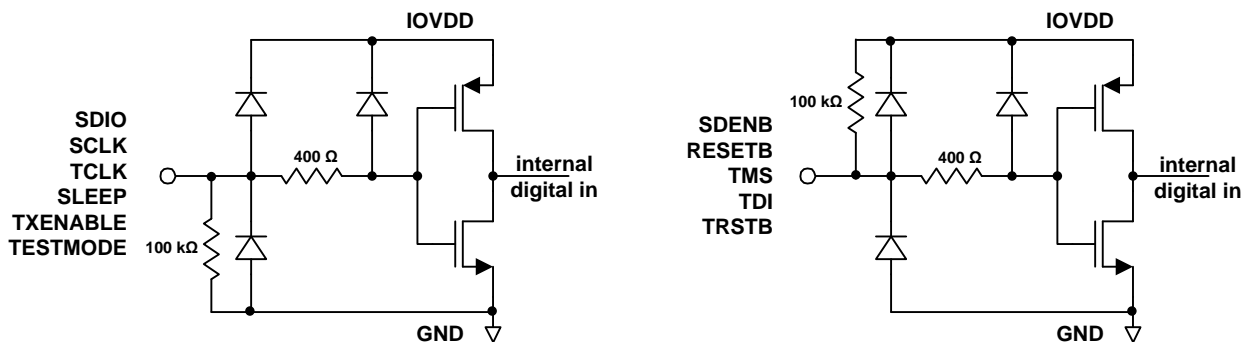


Figure 24. CMOS Digital Equivalent Input

REFERENCE OPERATION

The DAC37J84/DAC38J84 uses a bandgap reference and control amplifier for biasing the full-scale output current. The full-scale output current is set by applying an external resistor R_{BIAS} to pin BIASJ. The bias current I_{BIAS} through resistor R_{BIAS} is defined by the on-chip bandgap reference voltage and control amplifier. The default full-scale output current equals 64 times this bias current and can thus be expressed as:

$$I_{OUT_{FS}} = 16 \times I_{BIAS} = 64 \times V_{EXTIO} / R_{BIAS}$$

The DAC37J84/DAC38J84 has a 4-bit coarse gain control *coarse_dac(3:0)* in the *configtbd* register. Using gain control, the $I_{OUT_{FS}}$ can be expressed as:

$$I_{OUT_{FS}} = (\text{coarse_dac} + 1) / 16 \times I_{BIAS} \times 64 = (\text{coarse_dac} + 1) / 16 \times V_{EXTIO} / R_{BIAS} \times 64$$

where V_{EXTIO} is the voltage at terminal EXTIO. The bandgap reference voltage delivers an accurate voltage of 0.9V. This reference is active when *extref_ena* = '0' in *configtbd*. An external decoupling capacitor C_{EXT} of 0.1 μ F should be connected externally to terminal EXTIO for compensation. The bandgap reference can additionally be used for external reference operation. In that case, an external buffer with high impedance input should be applied in order to limit the bandgap load current to a maximum of 100 nA. The internal reference can be disabled and overridden by an external reference by setting the *extref_ena* control bit. Capacitor C_{EXT} may hence be omitted. Terminal EXTIO thus serves as either input or output node.

The full-scale output current can be adjusted from 30 mA down to 10 mA by varying resistor R_{BIAS} or changing the externally applied reference voltage.

ANALOG OUTPUTS

The CMOS DACs consist of a segmented array of PMOS current sources, capable of sourcing a full-scale output current up to 30 mA. Differential current switches direct the current to either one of the complimentary output nodes IOU TP or IOU TN. Complimentary output currents enable differential operation, thus canceling out common mode noise sources (digital feed-through, on-chip and PCB noise), dc offsets, even order distortion components, and increasing signal output power by a factor of four.

The full-scale output current is set using external resistor R_{BIAS} in combination with an on-chip bandgap voltage reference source (+0.9 V) and control amplifier. Current I_{BIAS} through resistor R_{BIAS} is mirrored internally to provide a maximum full-scale output current equal to 16 times I_{BIAS} .

The relation between IOU TP and IOU TN can be expressed as:

$$I_{OUT_{FS}} = I_{OUTP} + I_{OUTN}$$

We will denote current flowing into a node as –current and current flowing out of a node as +current. Since the output stage is a current source the current flows from the IOU TP and IOU TN pins. The output current flow in each pin driving a resistive load can be expressed as:

$$I_{OUTP} = I_{OUT_{FS}} \times \text{CODE} / 65536$$

$$I_{OUTN} = I_{OUT_{FS}} \times (65535 - \text{CODE}) / 65536$$

where CODE is the decimal representation of the DAC data input word.

For the case where IOU TP and IOU TN drive resistor loads R_L directly, this translates into single ended voltages at IOU TP and IOU TN:

$$V_{OUTP} = I_{OUT1} \times R_L$$

$$V_{OUTN} = I_{OUT2} \times R_L$$

Assuming that the data is full scale (65535 in offset binary notation) and the R_L is 25 Ω , the differential voltage between pins IOU TP and IOU TN can be expressed as:

$$V_{OUTP} = 20\text{mA} \times 25 \Omega = 0.5 \text{ V}$$

$$V_{OUTN} = 0\text{mA} \times 25 \Omega = 0 \text{ V}$$

$$V_{DIFF} = V_{OUTP} - V_{OUTN} = 0.5\text{V}$$

Note that care should be taken not to exceed the compliance voltages at node IOU TP and IOU TN, which would lead to increased signal distortion.

DAC TRANSFER FUNCTION

The DAC37J84/DAC38J84 can be easily configured to drive a doubly terminated 50 Ω cable using a properly selected RF transformer. Figure 25 and Figure 26 show the 50 Ω doubly terminated transformer configuration with 1:1 and 4:1 impedance ratio, respectively. Note that the center tap of the primary input of the transformer has to be grounded to enable a DC current flow. Applying a 20 mA full-scale output current would lead to a 0.5 V_{pp} for a 1:1 transformer and a 1 V_{pp} output for a 4:1 transformer. The low dc-impedance between IOUTP or IOUTN and the transformer center tap sets the center of the ac-signal to GND, so the 1 V_{pp} output for the 4:1 transformer results in an output between -0.5 V and $+0.5$ V.

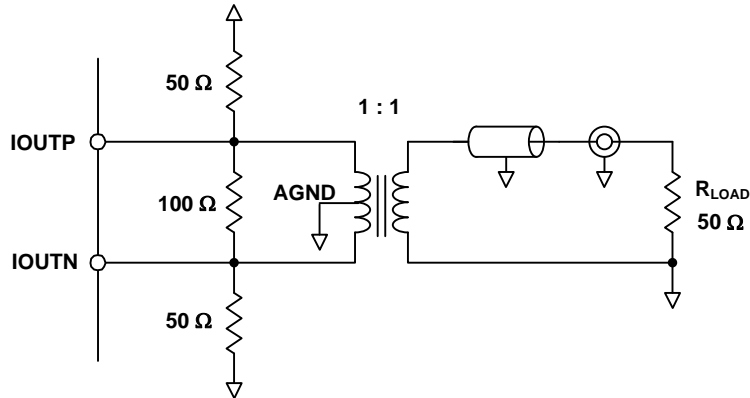


Figure 25. Driving a Doubly Terminated 50 Ω Cable Using a 1:1 Impedance Ratio Transformer

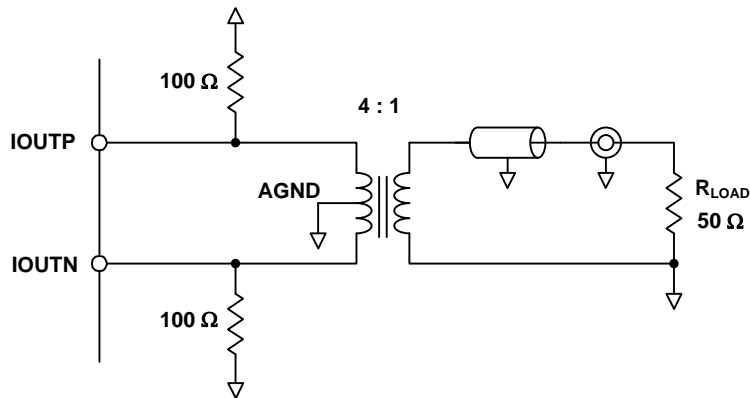


Figure 26. Driving a Doubly Terminated 50 Ω Cable Using a 4:1 Impedance Ratio Transformer

POWER UP SEQUENCE

The following start up sequence is recommended to power up DAC38J84/DAC37J84 family.

1. Set TXENABLE low
2. Supply all 0.9-V supplies (VDDDIG, VDDT, VDDDAC, VDDCLK), all 1.8-V supplies (VDDR, VDDS, VQPS, VDDIO, VDDAPLL, VDDAREF), and all 3.3-V supplies (VDDADAC). The supplies can be powered up simultaneously or in any order. There are no specific requirements on the ramp rate for the supplies.
3. RESET the JTAG port by either toggling TRSTB low if using the JTAG port or holding TRSTB low if not using JTAG.
4. Start the DACCLK generation
5. Toggle RESETB low to reset the SIF registers
6. Program the DAC PLL settings (*config26*, *config49*, *config50*, *config51*). If the PLL is not used, set ***pll_sleep*** and ***pll_reset*** to “1” and ***pll_ena*** to “0”.
7. Program the SERDES settings (*config61*, *config62*) including the ***serdes_clk_sel*** and ***serdes_refclk_div***.
8. Program the SERDES lane settings (*config63*, *config71*, *config73*, *config74*, *config96*).
9. Program ***clkjesd_div***, ***cdvser_sysref_mode***, and ***interp***.
10. Program the JESD settings (*config3*, *config74-77*, *config79*, *config80-85*, *config92*, *config97*).
11. Program the DIG block settings (NCO, PA protection, QMC, fractional delay, etc.) and set the preferred SYNC modes for the digital blocks (*config30-32*).
12. Verify the SERDES PLL lock status by checking the SERDES PLL alarms: ***alarm_rw0_pll*** (alarm for lanes 0 through 3) and ***alarm_rw1_pll*** (alarm for lanes 4 through 7).
13. Set ***init_state*** to “0000” and ***jesd_reset_n*** to “1” to start the JESD204B link initialization.
14. Start the SYSREF generation.
15. Enable transmission of data by asserting the TXENABLE pin or setting ***sif_txenable*** to “1”.
16. Clear the alarms, then wait approximately 1-2 μ s and check values
17. Verify that DAC output is the desired output.

PACKAGING INFORMATION

| Orderable Device | Status (1) | Package Type | Package Drawing | Pins | Package Qty | Eco Plan (2) | Lead/Ball Finish (6) | MSL Peak Temp (3) | Op Temp (°C) | Device Marking (4/5) | Samples |
|------------------|---------------|--------------|-----------------|------|-------------|-----------------|-------------------------|----------------------|--------------|-------------------------|---------|
| DAC37J84IAAV | PREVIEW | FCBGA | AAV | 144 | 160 | TBD | Call TI | Call TI | -40 to 85 | | |
| DAC37J84IAAVR | PREVIEW | FCBGA | AAV | 144 | 1000 | TBD | Call TI | Call TI | -40 to 85 | | |
| DAC38J84IAAV | PREVIEW | FCBGA | AAV | 144 | 160 | TBD | Call TI | Call TI | -40 to 85 | | |
| DAC38J84IAAVR | PREVIEW | FCBGA | AAV | 144 | 1000 | TBD | Call TI | Call TI | -40 to 85 | | |
| PDAC37J84IAAV | PREVIEW | FCBGA | AAV | 144 | 160 | TBD | Call TI | Call TI | 25 Only | | |
| PDAC38J84IAAV | PREVIEW | FCBGA | AAV | 144 | 160 | TBD | Call TI | Call TI | 25 Only | | |

(1) The marketing status values are defined as follows:

ACTIVE: Product device recommended for new designs.

LIFEBUY: TI has announced that the device will be discontinued, and a lifetime-buy period is in effect.

NRND: Not recommended for new designs. Device is in production to support existing customers, but TI does not recommend using this part in a new design.

PREVIEW: Device has been announced but is not in production. Samples may or may not be available.

OBSOLETE: TI has discontinued the production of the device.

(2) Eco Plan - The planned eco-friendly classification: Pb-Free (RoHS), Pb-Free (RoHS Exempt), or Green (RoHS & no Sb/Br) - please check <http://www.ti.com/productcontent> for the latest availability information and additional product content details.

TBD: The Pb-Free/Green conversion plan has not been defined.

Pb-Free (RoHS): TI's terms "Lead-Free" or "Pb-Free" mean semiconductor products that are compatible with the current RoHS requirements for all 6 substances, including the requirement that lead not exceed 0.1% by weight in homogeneous materials. Where designed to be soldered at high temperatures, TI Pb-Free products are suitable for use in specified lead-free processes.

Pb-Free (RoHS Exempt): This component has a RoHS exemption for either 1) lead-based flip-chip solder bumps used between the die and package, or 2) lead-based die adhesive used between the die and leadframe. The component is otherwise considered Pb-Free (RoHS compatible) as defined above.

Green (RoHS & no Sb/Br): TI defines "Green" to mean Pb-Free (RoHS compatible), and free of Bromine (Br) and Antimony (Sb) based flame retardants (Br or Sb do not exceed 0.1% by weight in homogeneous material)

(3) MSL, Peak Temp. - The Moisture Sensitivity Level rating according to the JEDEC industry standard classifications, and peak solder temperature.

(4) There may be additional marking, which relates to the logo, the lot trace code information, or the environmental category on the device.

(5) Multiple Device Markings will be inside parentheses. Only one Device Marking contained in parentheses and separated by a "~" will appear on a device. If a line is indented then it is a continuation of the previous line and the two combined represent the entire Device Marking for that device.

(6) Lead/Ball Finish - Orderable Devices may have multiple material finish options. Finish options are separated by a vertical ruled line. Lead/Ball Finish values may wrap to two lines if the finish value exceeds the maximum column width.

Important Information and Disclaimer: The information provided on this page represents TI's knowledge and belief as of the date that it is provided. TI bases its knowledge and belief on information provided by third parties, and makes no representation or warranty as to the accuracy of such information. Efforts are underway to better integrate information from third parties. TI has taken and continues to take reasonable steps to provide representative and accurate information but may not have conducted destructive testing or chemical analysis on incoming materials and chemicals. TI and TI suppliers consider certain information to be proprietary, and thus CAS numbers and other limited information may not be available for release.

In no event shall TI's liability arising out of such information exceed the total purchase price of the TI part(s) at issue in this document sold by TI to Customer on an annual basis.

IMPORTANT NOTICE

Texas Instruments Incorporated and its subsidiaries (TI) reserve the right to make corrections, enhancements, improvements and other changes to its semiconductor products and services per JESD46, latest issue, and to discontinue any product or service per JESD48, latest issue. Buyers should obtain the latest relevant information before placing orders and should verify that such information is current and complete. All semiconductor products (also referred to herein as "components") are sold subject to TI's terms and conditions of sale supplied at the time of order acknowledgment.

TI warrants performance of its components to the specifications applicable at the time of sale, in accordance with the warranty in TI's terms and conditions of sale of semiconductor products. Testing and other quality control techniques are used to the extent TI deems necessary to support this warranty. Except where mandated by applicable law, testing of all parameters of each component is not necessarily performed.

TI assumes no liability for applications assistance or the design of Buyers' products. Buyers are responsible for their products and applications using TI components. To minimize the risks associated with Buyers' products and applications, Buyers should provide adequate design and operating safeguards.

TI does not warrant or represent that any license, either express or implied, is granted under any patent right, copyright, mask work right, or other intellectual property right relating to any combination, machine, or process in which TI components or services are used. Information published by TI regarding third-party products or services does not constitute a license to use such products or services or a warranty or endorsement thereof. Use of such information may require a license from a third party under the patents or other intellectual property of the third party, or a license from TI under the patents or other intellectual property of TI.

Reproduction of significant portions of TI information in TI data books or data sheets is permissible only if reproduction is without alteration and is accompanied by all associated warranties, conditions, limitations, and notices. TI is not responsible or liable for such altered documentation. Information of third parties may be subject to additional restrictions.

Resale of TI components or services with statements different from or beyond the parameters stated by TI for that component or service voids all express and any implied warranties for the associated TI component or service and is an unfair and deceptive business practice. TI is not responsible or liable for any such statements.

Buyer acknowledges and agrees that it is solely responsible for compliance with all legal, regulatory and safety-related requirements concerning its products, and any use of TI components in its applications, notwithstanding any applications-related information or support that may be provided by TI. Buyer represents and agrees that it has all the necessary expertise to create and implement safeguards which anticipate dangerous consequences of failures, monitor failures and their consequences, lessen the likelihood of failures that might cause harm and take appropriate remedial actions. Buyer will fully indemnify TI and its representatives against any damages arising out of the use of any TI components in safety-critical applications.

In some cases, TI components may be promoted specifically to facilitate safety-related applications. With such components, TI's goal is to help enable customers to design and create their own end-product solutions that meet applicable functional safety standards and requirements. Nonetheless, such components are subject to these terms.

No TI components are authorized for use in FDA Class III (or similar life-critical medical equipment) unless authorized officers of the parties have executed a special agreement specifically governing such use.

Only those TI components which TI has specifically designated as military grade or "enhanced plastic" are designed and intended for use in military/aerospace applications or environments. Buyer acknowledges and agrees that any military or aerospace use of TI components which have **not** been so designated is solely at the Buyer's risk, and that Buyer is solely responsible for compliance with all legal and regulatory requirements in connection with such use.

TI has specifically designated certain components as meeting ISO/TS16949 requirements, mainly for automotive use. In any case of use of non-designated products, TI will not be responsible for any failure to meet ISO/TS16949.

Products

| | |
|------------------------------|--|
| Audio | www.ti.com/audio |
| Amplifiers | amplifier.ti.com |
| Data Converters | dataconverter.ti.com |
| DLP® Products | www.dlp.com |
| DSP | dsp.ti.com |
| Clocks and Timers | www.ti.com/clocks |
| Interface | interface.ti.com |
| Logic | logic.ti.com |
| Power Mgmt | power.ti.com |
| Microcontrollers | microcontroller.ti.com |
| RFID | www.ti-rfid.com |
| OMAP Applications Processors | www.ti.com/omap |
| Wireless Connectivity | www.ti.com/wirelessconnectivity |

Applications

| | |
|-------------------------------|--|
| Automotive and Transportation | www.ti.com/automotive |
| Communications and Telecom | www.ti.com/communications |
| Computers and Peripherals | www.ti.com/computers |
| Consumer Electronics | www.ti.com/consumer-apps |
| Energy and Lighting | www.ti.com/energy |
| Industrial | www.ti.com/industrial |
| Medical | www.ti.com/medical |
| Security | www.ti.com/security |
| Space, Avionics and Defense | www.ti.com/space-avionics-defense |
| Video and Imaging | www.ti.com/video |

TI E2E Community

e2e.ti.com