

Varistor Products

High Energy Industrial

DA/DB Varistor Series



The DA and DB Series transient surge suppressors are heavy-duty industrial metal-oxide varistors designed to provide surge protection for motor controls and power supplies used in oil-drilling, mining, and transportation equipment.

These UL-recognized varistors have identical ratings and specifications but differ in case construction to provide flexibility in equipment designs.

DA series devices feature rigid terminals to insure secure wire contacts. Both the DA and DB series feature improved creep and strike distance capability to minimize breakdown along the package surface design that provides complete electrical isolation of the disc subassembly.

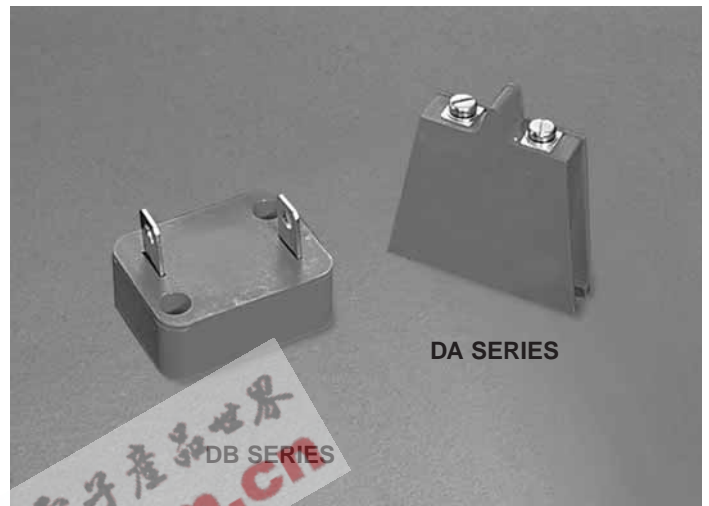
See DA/DB Series Device Ratings and Specifications table for part number and brand information.

Features

- High Energy Absorption Capability
 W_{TM} Up To 1050J
- Wide Operating Voltage Range
 $V_{M(AC)RMS}$ 130V to 750V
- Screw Terminals (DA Series),
 Quick Connect Push-On Connectors (DB Series)
- Case Design Provides Complete Electrical Isolation of
 Disc Subassembly
- 40mm Diameter Disc
- No Derating Up to 85°C Ambient

AGENCY APPROVALS: Recognized under the components program of Underwriters Laboratories.

AGENCY FILE NUMBERS: UL E75961.



Varistor Products

High Energy Industrial

DA/DB Varistor Series

Absolute Maximum Ratings For ratings of individual members of a series, see Device Ratings and Specifications chart

| | DA/DB SERIES | UNITS |
|--|--------------|------------|
| Continuous: | | |
| Steady State Applied Voltage: | | |
| AC Voltage Range ($V_{M(AC)RMS}$) | 130 to 750 | V |
| DC Voltage Range ($V_{M(DC)}$) | 175 to 970 | V |
| Transient: | | |
| Peak Pulse Current (I_{TM}) | | |
| For 8/20 μ s Current Wave (See Figure 2) | 40,000 | A |
| Single Pulse Energy Range | | |
| For 2ms Current Square Wave (W_{TM}) | 270 to 1050 | J |
| Operating Ambient Temperature Range (T_A) | -55 to 85 | °C |
| Storage Temperature Range (T_{STG}) | -55 to 125 | °C |
| Temperature Coefficient (α_V) of Clamping Voltage (V_C) at Specified Test Current | <0.01 | %/°C |
| Hi-Pot Encapsulation (Isolation Voltage Capability) | 5000 | V |
| (Dielectric must withstand indicated DC voltage for one minute per MIL-STD 202, Method 301) | | |
| Insulation Resistance | 1000 | M Ω |

CAUTION: Stresses above those listed in "Absolute Maximum Ratings" may cause permanent damage to the device. This is a stress only rating and operation of the device at these or any other conditions above those indicated in the operational sections of this specification is not implied.

Device Ratings and Specifications

| PART NUMBER AND DEVICE BRANDING | | MAXIMUM RATINGS (85°C) | | | | SPECIFICATIONS (25°C) | | | | |
|------------------------------------|----------|------------------------|-------------|-----------------|-----------------------------------|---|-----------|------|--|-----------------------------|
| | | CONTINUOUS | | TRANSIENT | | VARISTOR VOLTAGE AT 1mA DC TEST CURRENT | | | MAX CLAMP- ING VOLT V_C AT 200A CURRENT (8/20 μ s) | TYPICAL CAPACI- TANCE |
| | | V_{RMS} | V_{DC} | ENERGY (2ms) | PEAK CURRENT (8/20 μ s) | | | | | |
| | | $V_{M(AC)}$ | $V_{M(DC)}$ | W_{TM} | I_{TM} | MIN | $V_N(DC)$ | MAX | V_C | f = 1MHz |
| DA | DB | (V) | (V) | (J) | (A) | (V) | (V) | (V) | (V) | (pF) |
| V131DA40 | V131DB40 | 130 | 175 | 270 | 40000 ¹ | 184 | 200 | 228 | 345 | 10000 |
| V151DA40 | V151DB40 | 150 | 200 | 300 | 40000 ² | 212 | 240 | 268 | 405 | 8000 |
| V251DA40 | V251DB40 | 250 | 330 | 370 | 40000 | 354 | 390 | 429 | 650 | 5000 |
| V271DA40 | V271DB40 | 275 | 369 | 400 | 40000 | 389 | 430 | 473 | 730 | 4500 |
| V321DA40 | V321DB40 | 320 | 420 | 460 | 40000 | 462 | 510 | 561 | 830 | 3800 |
| V421DA40 | V421DB40 | 420 | 560 | 600 | 40000 | 610 | 680 | 748 | 1130 | 3000 |
| V481DA40 | V481DB40 | 480 | 640 | 650 | 40000 | 670 | 750 | 825 | 1240 | 2700 |
| V511DA40 | V511DB40 | 510 | 675 | 700 | 40000 | 735 | 820 | 910 | 1350 | 2500 |
| V571DA40 | V571DB40 | 575 | 730 | 770 | 40000 | 805 | 910 | 1000 | 1480 | 2200 |
| V661DA40 | V661DB40 | 660 | 850 | 900 | 40000 | 940 | 1050 | 1160 | 1720 | 2000 |
| V751DA40 | V751DB40 | 750 | 970 | 1050 | 40000 | 1080 | 1200 | 1320 | 2000 | 1800 |

NOTE: Average power dissipation of transients not to exceed 2.0W.

1: Peak current applies to applications rated up to 115V_{RMS}. Peak Current is 30kA for applications greater than 115V_{RMS}.

2: Peak current applies to applications rated up to 132V_{RMS}. Peak Current is 30kA for applications greater than 132V_{RMS}.

Varistor Products

High Energy Industrial

DA/DB Varistor Series

Power Dissipation Ratings

Should transients occur in rapid succession, the average power dissipation required is simply the energy (watt- seconds) per pulse times the number of pulses per second. The power so developed must be within the specifications shown on the Device Ratings and Specifications table for the specific device. Furthermore, the operating values need to be derated at high temperatures as shown in Figure 1. Because varistors can only dissipate a relatively small amount of average power they are, therefore, not suitable for repetitive applications that involve substantial amounts of average power dissipation.

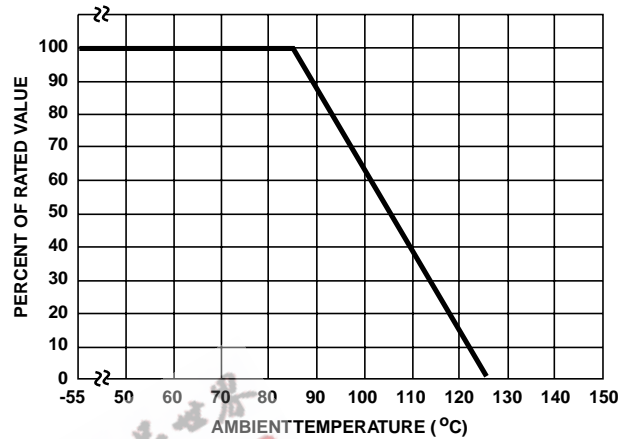


FIGURE 1. CURRENT, ENERGY AND POWER DERATING CURVE

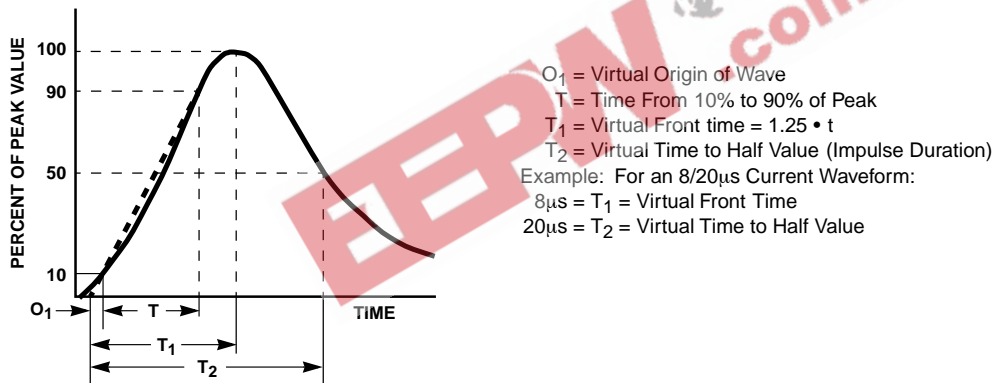


FIGURE 2. PEAK PULSE CURRENT TEST WAVEFORM

Transient V-I Characteristics Curve

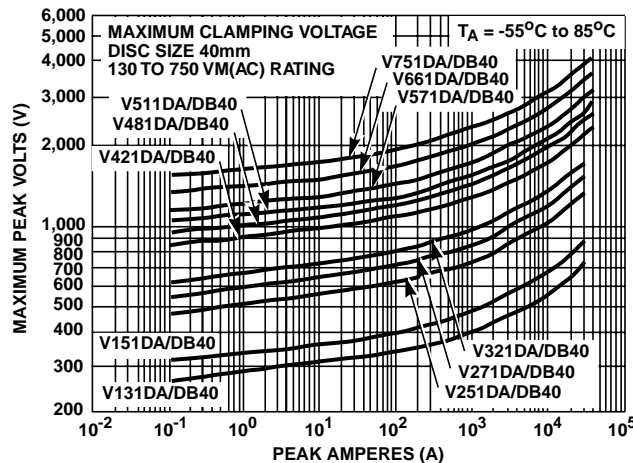


FIGURE 3. CLAMPING VOLTAGE FOR V131DA40, V131DB40 - V751DA40, V751DB40

Varistor Products

High Energy Industrial

DA/DB Varistor Series

Pulse Rating Curves

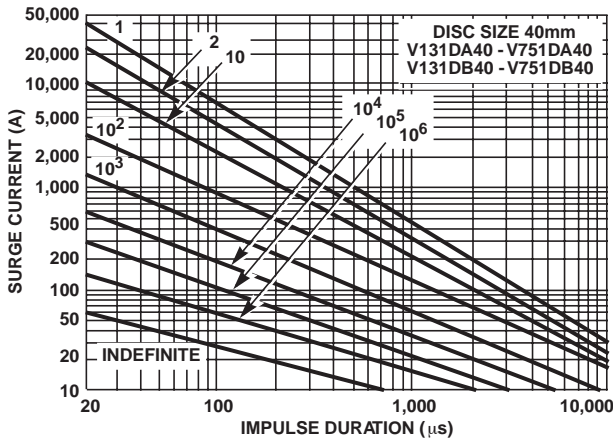
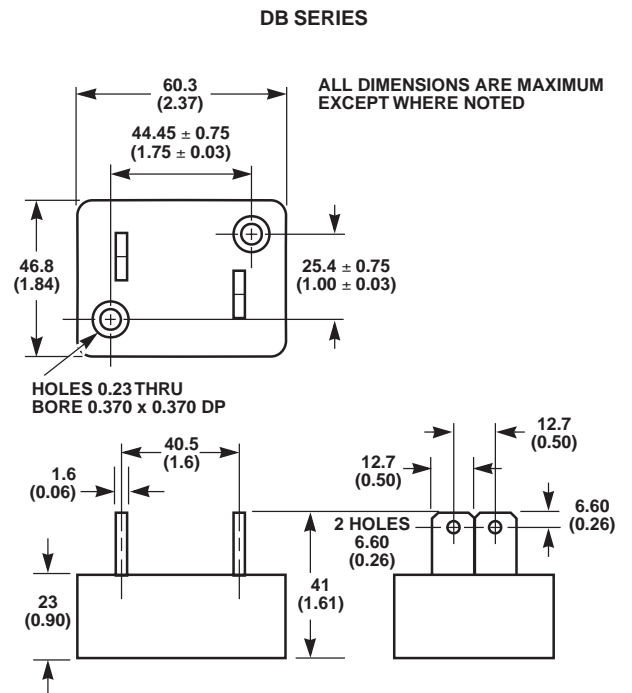
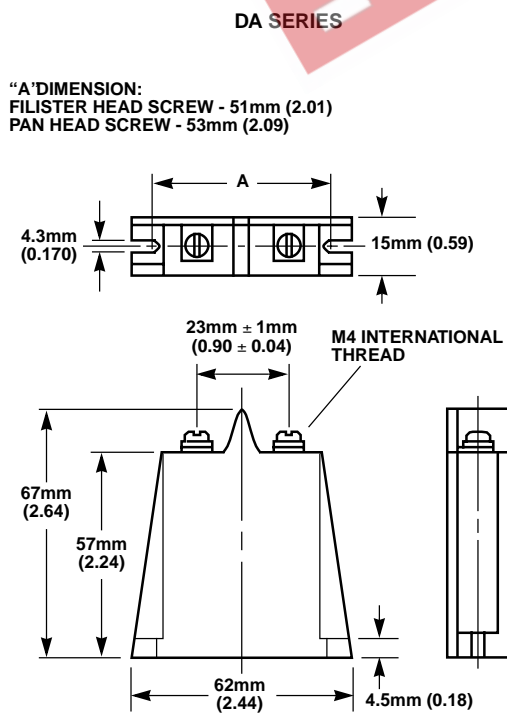


FIGURE 5. SURGE CURRENT RATING CURVES FOR V131DA40, V131DB40 - V751DA40, V751DB40

NOTE: If pulse ratings are exceeded, a shift of $V_{N(DC)}$ (at specified current) of more than $\pm 10\%$ could result. This type of shift, which normally results in a decrease of $V_{N(DC)}$, may result in the device not meeting the original published specifications, but it does not prevent the device from continuing to function, and to provide ample protection.

Mechanical Dimensions



Dimensions in millimeters and (inches).