

W6631CS



STEREO AUDIO DAC

GENERAL DESCRIPTION

The Winbond W6631CS is a low cost stereo audio DAC chip incorporating 8X digital interpolation filters, 64X multi-level oversampling delta-sigma modulators, analog low-pass filter and output amplifiers. The operation voltage for this chip can be from 3.0 volt to 5.25 volt. Moreover, the 16 Bit linear input data for DAC consists of two formats, normal format and I²S format. In addition, the device provides DAC mute, digital 44.1KHz de-emphasis and format conversions can be set up by external pins.

- Stereo 16 or 18 Bits Linear PCM Data Input
- Two Types Linear PCM Data Input Format: Normal and I²S Format
- Delta-Sigma DAC built-in digital De-emphasis filter, 8X Interpolator, 64X Oversampling Multi-Bit Modulator
- Stereo DAC Output built-in Analog Low Pass Filter and Output Amplifier with 5K Ω Load
- Main Control Functions: 44.1kHz De-emphasis, Mute, I²S or Normal Format
- 14 pin SOP Package

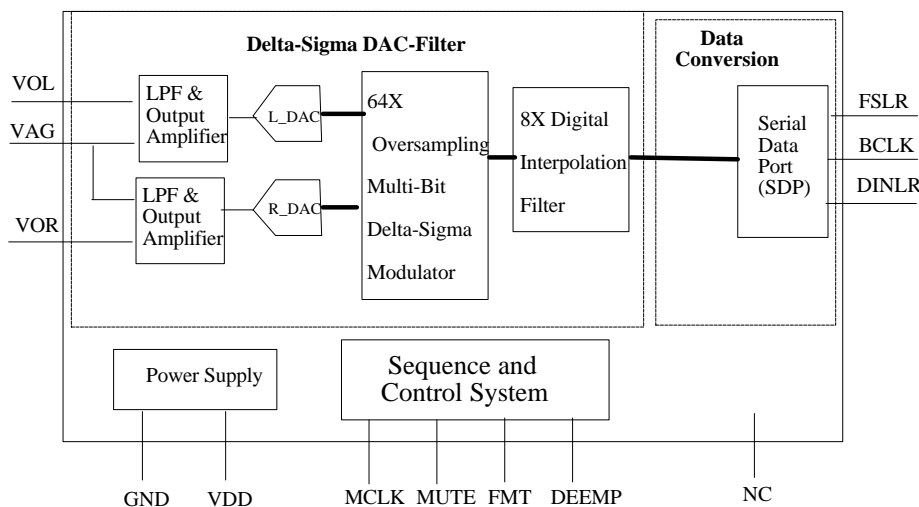
FEATURES

- Power Supply: from +3.0 to +5.25 Volt, typically +5 Volt
- Sampling Clock Rate: 32 K, 44.1 K, and 48 K Hz
- Master Clock Rate: 384 or 256 times of Sampling Clock rate

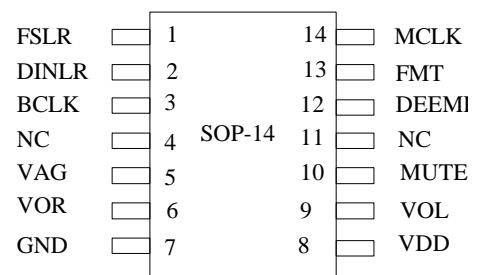
APPLICATIONS

W6631CS is for digital audio applications, such as Audio CD, Video CD, MP-3 player, STB, Multimedia PC and other digital audio/video equipment.

FUNCTIONAL BLOCK



Pin Configuration



(TOP VIEW)

Winbond Corporate Headquarters
Tel : 886-3-5790666
Fax : 886-3-5796139

Taipei Sales Office
Tel : 886-2-7190505
Fax : 886-2-7197502

Winbond Electronics North America Corp.
Tel : 1-408-9436666
Fax : 1-408-9436668

Winbond Electronics H.K. Ltd.
Tel : 852-27513100
Fax : 852-27552064