

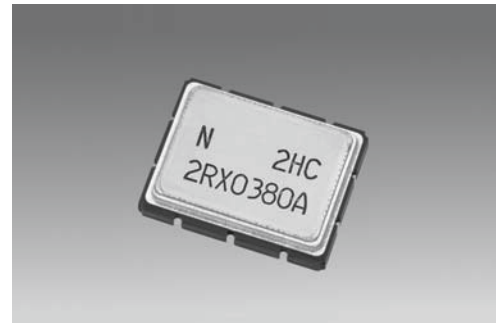
SAW Filter for CATV Transmission Pilot Signal Extraction For Industrial Use

Features

This filter is used in the pilot signal section of a CATV Repeater. Its narrowband filter characteristics allow pilot signals with fewer spurious waves to be extracted.

- Highly reliable.
- Low-loss and narrowband characteristics.
- Compact (9.1 x 7.1 x 1.6 mm).

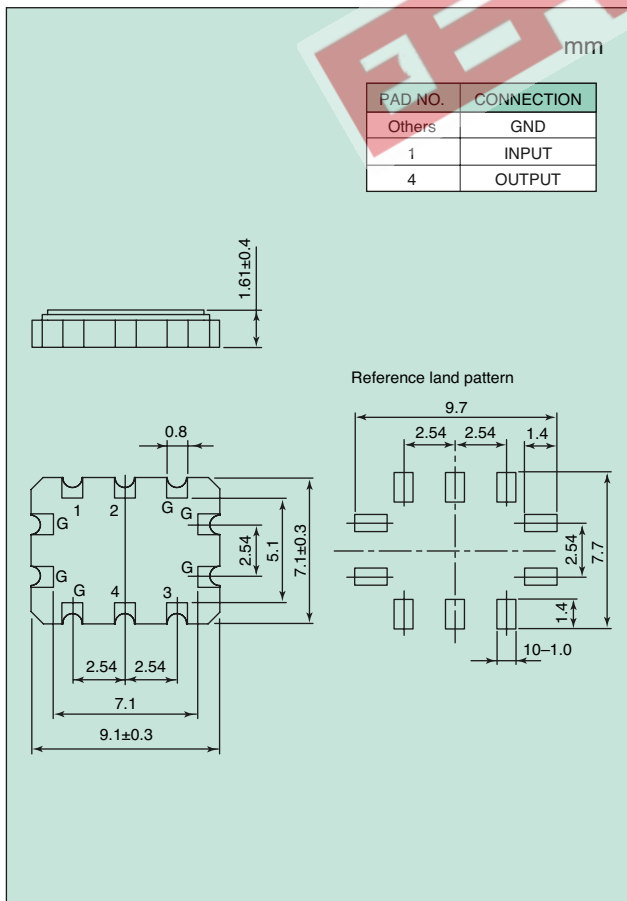
Pb Free **RoHS Compliant**
Directive 2002/95/EC



Specifications

Model		WF380A		
Item		min.	typ.	max.
Nominal frequency : f ₀ (MHz)		–	451.25	–
1-dB passband width (kHz)		f ₀ ± 25	–	–
Insertion loss (dB)		–	–	6.0
Guaranteed attenuation (dB)	DC to 445.25MHz	40	50	–
	445.25 to 448.25MHz	25	40	–
	456.25 to 457.25MHz	25	50	–
	457.25 to 550MHz	40	50	–
Operating temperature range (°C)		–20 to +70		
Terminating impedance (Ω)		290//16nH		

Dimensions



Characteristics

