

# W66880CF



## VFD CONTROLLER/DRIVER

### GENERAL DESCRIPTION

The W66880CF is a VFD (Vacuum Fluorescent Display) controller/ driver. It can be programmed to drive a VFD with 4 grids by 16 segments to 8 grids by 14 segments. The W66880CF also includes a 24-key key scan circuit and four LED ports and four general purpose input ports. Data communication with the W66880CF is via a serial interface.

- High voltage output ( $V_{DD} - V_{EE} = 30V$  max)
- Four 15 mA LED ports
- Four general-purpose input port
- Internal driver output pull-down resistors
- Only one external resistor is needed for the on chip oscillator
- Simple serial interface
- 44-pin plastic QFP package

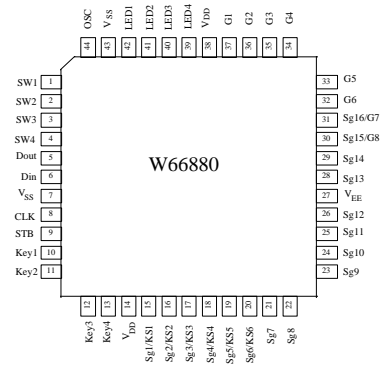
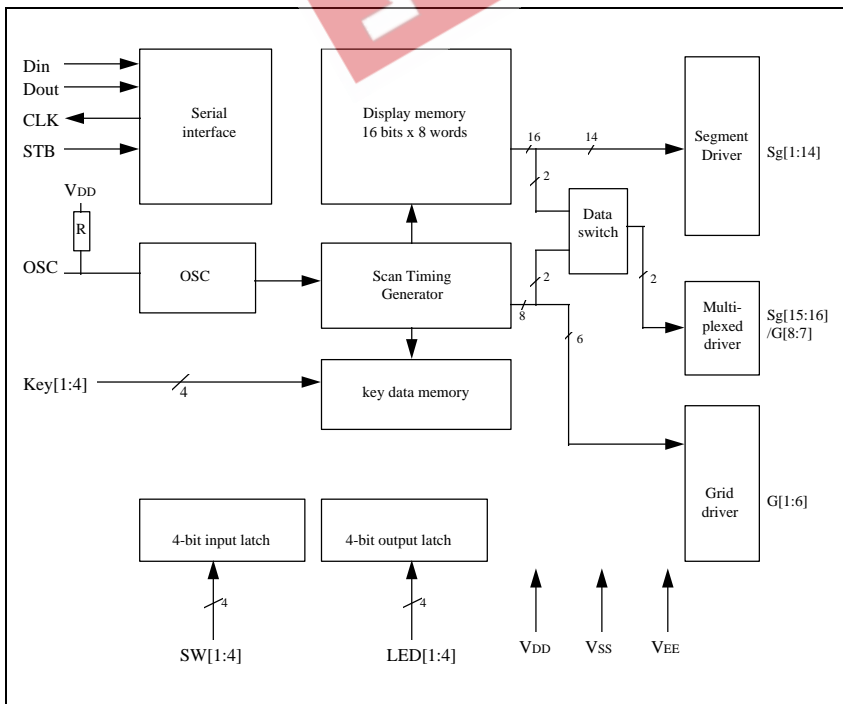
### FEATURES

- Flexible display modes (4 to 8 grids)
  - 4 grids  $\times$  16 segments to 8 grids  $\times$  14 segments
- 6  $\times$  4 matrix key scanning
- 8 steps dimming circuit

### APPLICATIONS

VFD display driving and panel function control

### Functional Block Pin Configuration



Winbond Corporate Headquarters  
Tel : 886-3-5790666  
Fax : 886-3-5796139

Taipei Sales Office  
Tel : 886-2-7190505  
Fax : 886-2-7197502

Winbond Electronics North America Corp.  
Tel : 1-408-9436666  
Fax : 1-408-9436668

Winbond Electronics H.K. Ltd.  
Tel : 852-27513100  
Fax : 852-27552064