



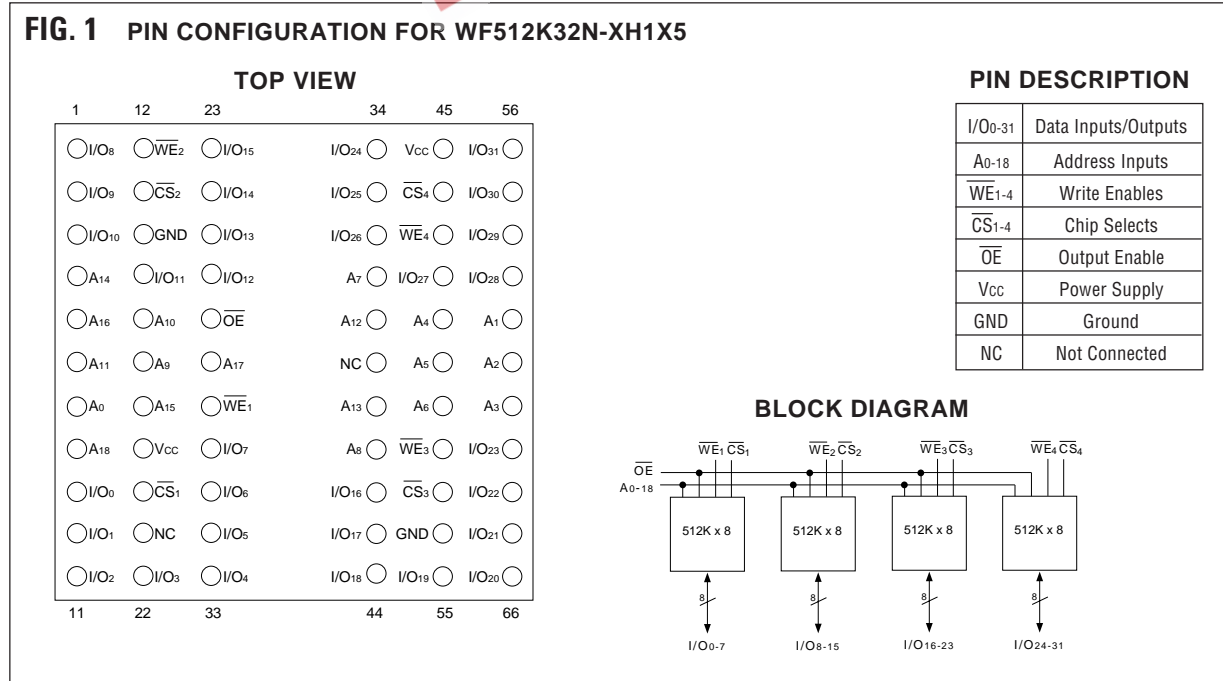
## 512Kx32 5V FLASH MODULE, SMD 5962-94612

### FEATURES

- Access Times of 60, 70, 90, 120, 150ns
- Packaging
  - 66 pin, PGA Type, 1.075" square, Hermetic Ceramic HIP (Package 400<sup>(1)</sup>)
  - 68 lead, 40mm, Low Capacitance Hermetic CQFP (Package 501)
  - 68 lead, 40mm, Low Profile 3.5mm (0.140"), CQFP (Package 502)
  - 68 lead, 22.4mm (0.880") Low Profile CQFP (G2U), 3.5mm (0.140") high, (Package 510)
  - 68 lead, 23.9mm (0.940") Low Profile CQFP (G1U), 3.5mm (0.140") high, (Package 519)
- 100,000 Erase/Program Cycles Minimum
- Sector Architecture
  - 8 equal size sectors of 64KBytes each
  - Any combination of sectors can be concurrently erased. Also supports full chip erase
- Organized as 512Kx32
- Commercial, Industrial and Military Temperature Ranges
- 5 Volt Programming. 5V ±10% Supply.
- Low Power CMOS, 6.5mA Standby
- Embedded Erase and Program Algorithms
- TTL Compatible Inputs and CMOS Outputs
- Built-in Decoupling Caps for Low Noise Operation
- Page Program Operation and Internal Program Control Time
- Weight
  - WF512K32-XG2UX5 - 8 grams typical
  - WF512K32-XH1X5 - 13 grams typical
  - WF512K32-XG4X5 - 20 grams typical
  - WF512K32-XG4TX5 - 20 grams typical
  - WF512K32-XG1UX5 - 5 grams typical

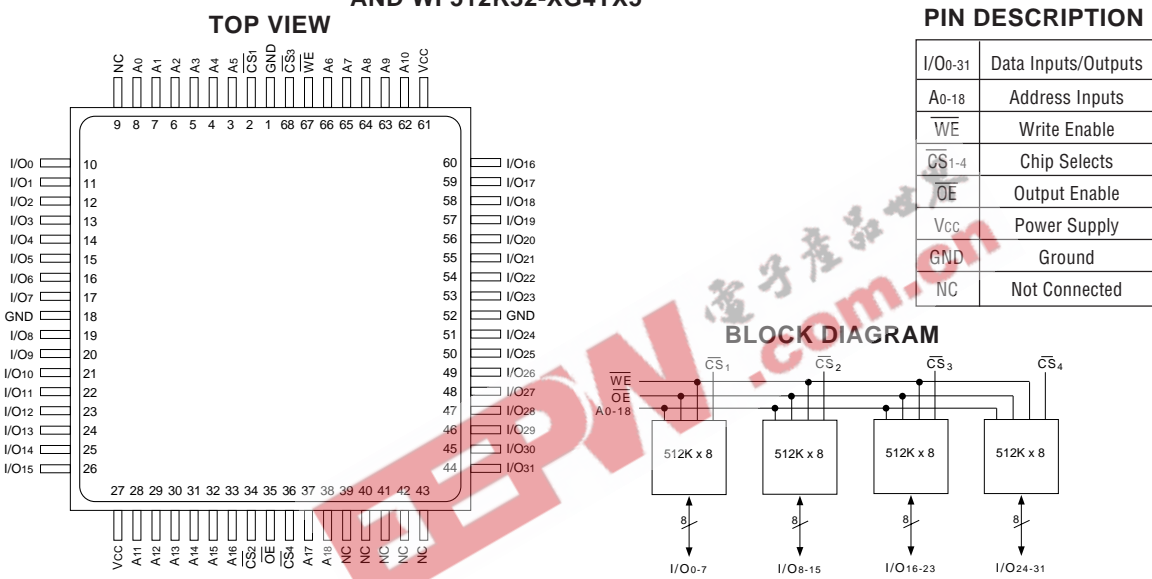
1. Call factory for PGA type (HIP) package options.  
Note: See Flash Programming Application Note 4M5 for algorithms.

**FIG. 1 PIN CONFIGURATION FOR WF512K32N-XH1X5**

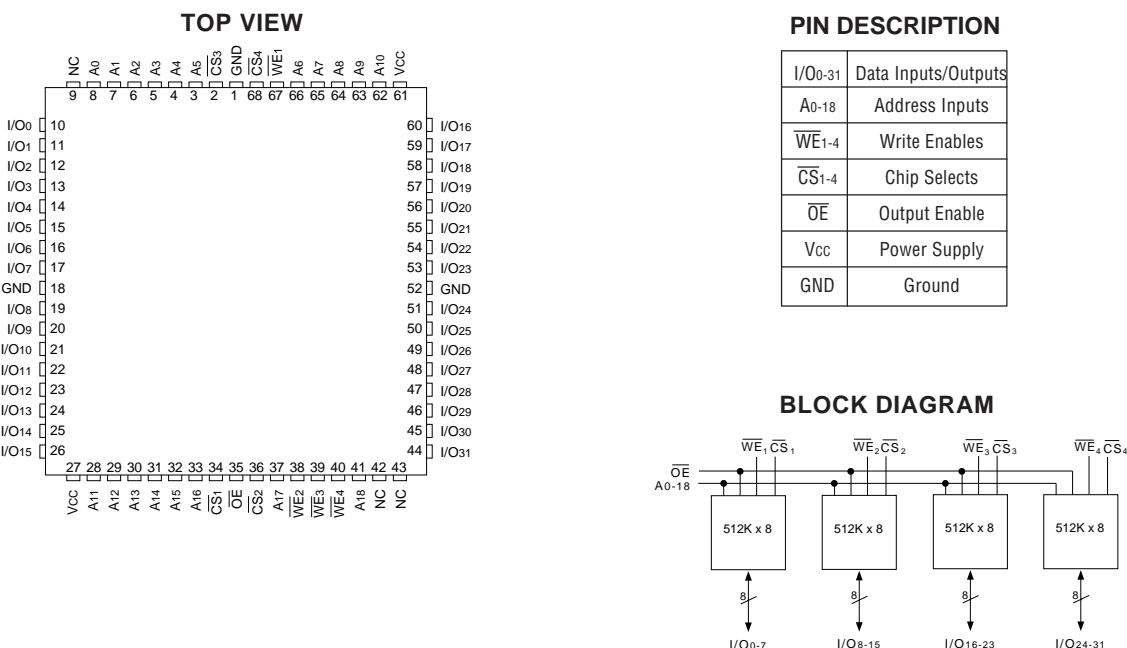




**FIG. 2 PIN CONFIGURATION FOR WF512K32F-XG4X5 (Low Capacitance) AND WF512K32-XG4TX5**



**FIG. 3 PIN CONFIGURATION FOR WF512K32-XG2UX5 AND WF512K32-XG1UX5**





**ABSOLUTE MAXIMUM RATINGS (1)**

| Parameter  |                     | Unit |
|--|---------------------|------|
| Operating Temperature  | -55 to +125         | °C   |
| Supply Voltage Range (V <sub>CC</sub> )                          | -2.0 to +7.0        | V    |
| Signal voltage range (any pin except A <sub>9</sub> ) (2)        | -2.0 to +7.0        | V    |
| Storage Temperature Range  | -65 to +150         | °C   |
| Lead Temperature (soldering, 10 seconds)                         | +300                | °C   |
| Data Retention (Mil Temp)  | 20 years            |      |
| Endurance - write/erase cycles (Mil Temp)                        | 100,000 cycles min. |      |
| A <sub>9</sub> Voltage for sector protect (V <sub>ID</sub> ) (3) | -2.0 to +14.0       | V    |

**NOTES:**

1. Stresses above the absolute maximum rating may cause permanent damage to the device. Extended operation at the maximum levels may degrade performance and affect reliability.
2. Minimum DC voltage on input or I/O pins is -0.5V. During voltage transitions, inputs may overshoot V<sub>SS</sub> to -2.0 V for periods of up to 20ns. Maximum DC voltage on output and I/O pins is V<sub>CC</sub> + 0.5V. During voltage transitions, outputs may overshoot to V<sub>CC</sub> + 2.0 V for periods of up to 20ns.
3. Minimum DC input voltage on A<sub>9</sub> pin is -0.5V. During voltage transitions, A<sub>9</sub> may overshoot V<sub>SS</sub> to -2V for periods of up to 20ns. Maximum DC input voltage on A<sub>9</sub> is +13.5V which may overshoot to 14.0 V for periods up to 20ns.

**RECOMMENDED OPERATING CONDITIONS**

| Parameter                                 | Symbol          | Min  | Max                   | Unit |
|---|-----------------|------|-----------------------|------|
| Supply Voltage                            | V <sub>CC</sub> | 4.5  | 5.5                   | V    |
| Input High Voltage                        | V <sub>IH</sub> | 2.0  | V <sub>CC</sub> + 0.5 | V    |
| Input Low Voltage                         | V <sub>IL</sub> | -0.5 | +0.8                  | V    |
| Operating Temp. (Mil.)                    | T <sub>A</sub>  | -55  | +125                  | °C   |
| Operating Temp. (Ind.)                    | T <sub>A</sub>  | -40  | +85                   | °C   |
| A <sub>9</sub> Voltage for Sector Protect | V <sub>ID</sub> | 11.5 | 12.5                  | V    |

**DC CHARACTERISTICS - CMOS COMPATIBLE**

(V<sub>CC</sub> = 5.0V, V<sub>SS</sub> = 0V, T<sub>A</sub> = -55°C to +125°C)

| Parameter   | Symbol             | Conditions  | Min                    | Max  | Unit |
|---|--------------------|---|------------------------|------|------|
| Input Leakage Current                                   | I <sub>LI</sub>    | V <sub>CC</sub> = 5.5, V <sub>IN</sub> = GND or V <sub>CC</sub>   |                        | 10   | μA   |
| Output Leakage Current                                  | I <sub>LOx32</sub> | V <sub>CC</sub> = 5.5, V <sub>IN</sub> = GND or V <sub>CC</sub>   |                        | 10   | μA   |
| V <sub>CC</sub> Active Current for Read (1)             | I <sub>CC1</sub>   | $\overline{CS} = V_{IL}, \overline{OE} = V_{IH}, f = 5\text{MHz}$ |                        | 190  | mA   |
| V <sub>CC</sub> Active Current for Program or Erase (2) | I <sub>CC2</sub>   | $\overline{CS} = V_{IL}, \overline{OE} = V_{IH}$                  |                        | 240  | mA   |
| V <sub>CC</sub> Standby Current                         | I <sub>CC4</sub>   | V <sub>CC</sub> = 5.5, CS = V <sub>IH</sub> , f = 5MHz            |                        | 6.5  | mA   |
| V <sub>CC</sub> Static Current                          | I <sub>CC3</sub>   | V <sub>CC</sub> = 5.5, CS = V <sub>IH</sub>                       |                        | 0.6  | mA   |
| Output Low Voltage                                      | V <sub>OL</sub>    | I <sub>OL</sub> = 8.0 mA, V <sub>CC</sub> = 4.5                   |                        | 0.45 | V    |
| Output High Voltage                                     | V <sub>OH1</sub>   | I <sub>OH</sub> = 2.5 mA, V <sub>CC</sub> = 4.5                   | 0.85 x V <sub>CC</sub> |      | V    |
| Low V <sub>CC</sub> Lock-Out Voltage                    | V <sub>LK0</sub>   |   | 3.2                    | 4.2  | V    |

DC test conditions: V<sub>IL</sub> = 0.3V, V<sub>IH</sub> = V<sub>CC</sub> - 0.3V

**NOTES:**

1. The I<sub>CC</sub> current listed includes both the DC operating current and the frequency dependent component (at 5 MHz). The frequency component typically is less than 2 mA/MHz, with  $\overline{OE}$  at V<sub>IH</sub>.
2. I<sub>CC</sub> active while Embedded Algorithm (program or erase) is in progress.

**CAPACITANCE**

(T<sub>A</sub> = +25°C)

| Parameter                                  | Symbol           | Conditions                          | Max | Unit |
|--|------------------|-------------------------------------|-----|------|
| $\overline{OE}$ capacitance                | C <sub>OE</sub>  | V <sub>IN</sub> = 0 V, f = 1.0 MHz  | 50  | pF   |
| WE <sub>1-4</sub> capacitance<br>HIP (PGA) | C <sub>WE</sub>  | V <sub>IN</sub> = 0 V, f = 1.0 MHz  | 20  | pF   |
| CQFP G4T                                   |                  |                                     | 50  |      |
| CQFP G2U/G1U                               |                  |                                     | 15  |      |
| $\overline{CS}$ <sub>1-4</sub> capacitance | C <sub>CS</sub>  | V <sub>IN</sub> = 0 V, f = 1.0 MHz  | 20  | pF   |
| Data I/O capacitance                       | C <sub>I/O</sub> | V <sub>I/O</sub> = 0 V, f = 1.0 MHz | 20  | pF   |
| Address input capacitance                  | C <sub>AD</sub>  | V <sub>IN</sub> = 0 V, f = 1.0 MHz  | 50  | pF   |

This parameter is guaranteed by design but not tested.

**LOW CAPACITANCE CQFP**

(T<sub>A</sub> = +25°C)

| Parameter                                  | Symbol           | Conditions                          | Max | Unit |
|--|------------------|-------------------------------------|-----|------|
| $\overline{OE}$ capacitance                | C <sub>OE</sub>  | V <sub>IN</sub> = 0 V, f = 1.0 MHz  | 32  | pF   |
| CQFP G4 capacitance                        | C <sub>WE</sub>  | V <sub>IN</sub> = 0 V, f = 1.0 MHz  | 32  | pF   |
| $\overline{CS}$ <sub>1-4</sub> capacitance | C <sub>CS</sub>  | V <sub>IN</sub> = 0 V, f = 1.0 MHz  | 15  | pF   |
| Data I/O capacitance                       | C <sub>I/O</sub> | V <sub>I/O</sub> = 0 V, f = 1.0 MHz | 15  | pF   |
| Address input capacitance                  | C <sub>AD</sub>  | V <sub>IN</sub> = 0 V, f = 1.0 MHz  | 32  | pF   |

This parameter is guaranteed by design but not tested.



AC CHARACTERISTICS – WRITE/ERASE/PROGRAM OPERATIONS,  $\overline{CS}$  CONTROLLED

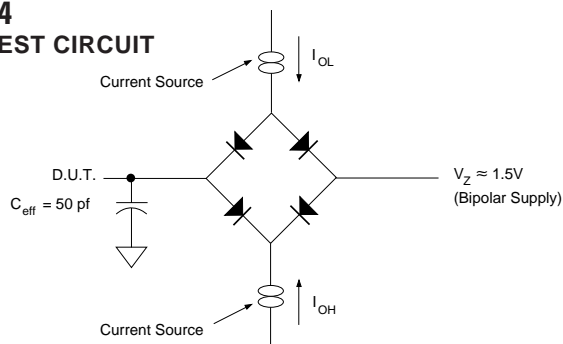
( $V_{CC} = 5.0V, V_{SS} = 0V, T_A = -55^\circ C$  to  $+125^\circ C$ )

| Parameter                                  | Symbol      |           | -60 |     | -70 |     | -90 |     | -120 |     | -150 |     | Unit    |
|--|-------------|-----------|-----|-----|-----|-----|-----|-----|------|-----|------|-----|---------|
|  |             |           | Min | Max | Min | Max | Min | Max | Min  | Max | Min  | Max |         |
| Write Cycle Time                           | $t_{AVAV}$  | $t_{WC}$  | 60  |     | 70  |     | 90  |     | 120  |     | 150  |     | ns      |
| Write Enable Setup Time                    | $t_{WLEL}$  | $t_{WS}$  | 0   |     | 0   |     | 0   |     | 0    |     | 0    |     | ns      |
| Chip Select Pulse Width                    | $t_{ELEH}$  | $t_{CP}$  | 40  |     | 45  |     | 45  |     | 50   |     | 50   |     | ns      |
| Address Setup Time                         | $t_{AVEL}$  | $t_{AS}$  | 0   |     | 0   |     | 0   |     | 0    |     | 0    |     | ns      |
| Data Setup Time                            | $t_{DVEH}$  | $t_{DS}$  | 40  |     | 45  |     | 45  |     | 50   |     | 50   |     | ns      |
| Data Hold Time                             | $t_{EHDX}$  | $t_{DH}$  | 0   |     | 0   |     | 0   |     | 0    |     | 0    |     | ns      |
| Address Hold Time                          | $t_{ELAX}$  | $t_{AH}$  | 40  |     | 45  |     | 45  |     | 50   |     | 50   |     | ns      |
| Chip Select Pulse Width High               | $t_{EHEL}$  | $t_{CPH}$ | 20  |     | 20  |     | 20  |     | 20   |     | 20   |     | ns      |
| Duration of Byte Programming Operation (1) | $t_{WHWH1}$ |           |     | 300 |     | 300 |     | 300 |      | 300 |      | 300 | $\mu s$ |
| Sector Erase Time (2)                      | $t_{WHWH2}$ |           |     | 15  |     | 15  |     | 15  |      | 15  |      | 15  | sec     |
| Read Recovery Time                         | $t_{GHLE}$  |           | 0   |     | 0   |     | 0   |     | 0    |     | 0    |     | ns      |
| Chip Programming Time                      |             |           |     | 11  |     | 11  |     | 11  |      | 11  |      | 11  | sec     |
| Chip Erase Time (3)                        |             |           |     | 64  |     | 64  |     | 64  |      | 64  |      | 64  | sec     |

NOTES:

1. Typical value for  $t_{WHWH1}$  is 7 $\mu s$ .
2. Typical value for  $t_{WHWH2}$  is 1sec.
3. Typical value for Chip Erase Time is 8sec.

FIG. 4  
AC TEST CIRCUIT



AC TEST CONDITIONS

| Parameter                        | Typ                        | Unit |
|----------------------------------|----------------------------|------|
| Input Pulse Levels               | $V_{IL} = 0, V_{IH} = 3.0$ | V    |
| Input Rise and Fall              | 5                          | ns   |
| Input and Output Reference Level | 1.5                        | V    |
| Output Timing Reference Level    | 1.5                        | V    |

NOTES:

$V_Z$  is programmable from -2V to +7V.  
 $I_{OL}$  &  $I_{OH}$  programmable from 0 to 16mA.  
 Tester Impedance  $Z_0 = 75 \Omega$ .  
 $V_Z$  is typically the midpoint of  $V_{OH}$  and  $V_{OL}$ .  
 $I_{OL}$  &  $I_{OH}$  are adjusted to simulate a typical resistive load circuit.  
 ATE tester includes jig capacitance.



**AC CHARACTERISTICS – WRITE/ERASE/PROGRAM OPERATIONS,  $\overline{WE}$  CONTROLLED**  
 (VCC = 5.0V, TA = -55°C to +125°C)

| Parameter                                  | Symbol |      | -60 |     | -70 |     | -90 |     | -120 |     | -150 |     | Unit |
|--|--------|------|-----|-----|-----|-----|-----|-----|------|-----|------|-----|------|
|  |        |      | Min | Max | Min | Max | Min | Max | Min  | Max | Min  | Max |      |
| Write Cycle Time                           | tAVAV  | tWC  | 60  |     | 70  |     | 90  |     | 120  |     | 150  |     | ns   |
| Chip Select Setup Time                     | tELWL  | tCS  | 0   |     | 0   |     | 0   |     | 0    |     | 0    |     | ns   |
| Write Enable Pulse Width                   | tWLWH  | tWP  | 40  |     | 45  |     | 45  |     | 50   |     | 50   |     | ns   |
| Address Setup Time                         | tAVWH  | tAS  | 0   |     | 0   |     | 0   |     | 0    |     | 0    |     | ns   |
| Data Setup Time                            | tDVWH  | tDS  | 40  |     | 45  |     | 45  |     | 50   |     | 50   |     | ns   |
| Data Hold Time                             | tWHDX  | tDH  | 0   |     | 0   |     | 0   |     | 0    |     | 0    |     | ns   |
| Address Hold Time                          | tWHAX  | tAH  | 40  |     | 45  |     | 45  |     | 50   |     | 50   |     | ns   |
| Write Enable Pulse Width High              | tWHWL  | tWPH | 20  |     | 20  |     | 20  |     | 20   |     | 20   |     | ns   |
| Duration of Byte Programming Operation (1) | tHWH1  |      |     | 300 | 300 |     | 300 |     | 300  |     | 300  |     | μs   |
| Sector Erase Time (2)                      | tHWH2  |      |     | 15  | 15  |     | 15  |     | 15   |     | 15   |     | sec  |
| Read Recovery Time before Write            | tGHWL  |      | 0   |     | 0   |     | 0   |     | 0    |     | 0    |     | ns   |
| VCC Set-up Time                            |        | tVCS | 50  |     | 50  |     | 50  |     | 50   |     | 50   |     | μs   |
| Chip Programming Time                      |        |      |     | 11  | 11  |     | 11  |     | 11   |     | 11   |     | sec  |
| Output Enable Setup Time                   |        | tOES | 0   |     | 0   |     | 0   |     | 0    |     | 0    |     | ns   |
| Output Enable Hold Time (4)                |        | tOEH | 10  |     | 10  |     | 10  |     | 10   |     | 10   |     | ns   |
| Chip Erase Time (3)                        |        |      |     | 64  | 64  |     | 64  |     | 64   |     | 64   |     | sec  |

**NOTES:**

1. Typical value for tHWH1 is 7μs.
2. Typical value for tHWH2 is 1sec.
3. Typical value for Chip Erase Time is 8sec.
4. For Toggle and Data Polling.

**AC CHARACTERISTICS – READ ONLY OPERATIONS**

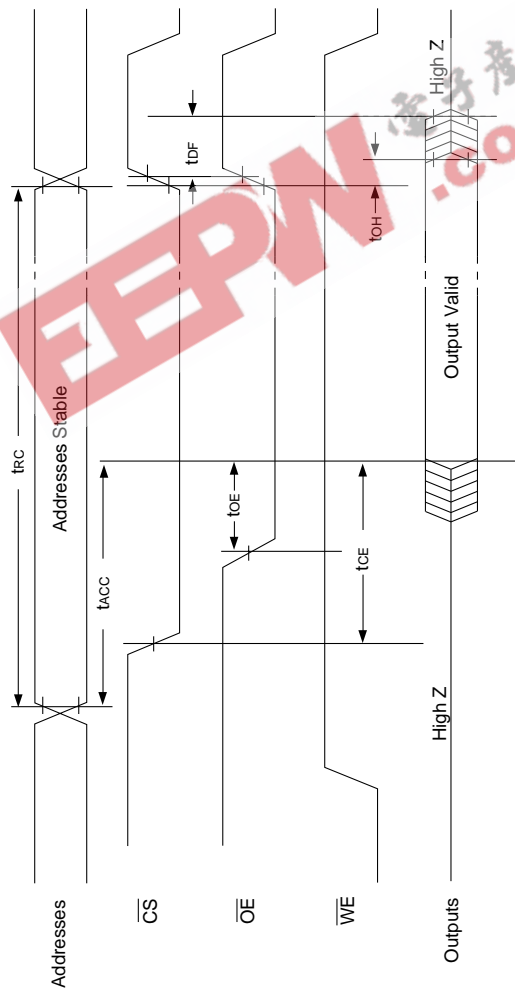
(VCC = 5.0V, TA = -55°C to +125°C)

| Parameter   | Symbol |      | -60 |     | -70 |     | -90 |     | -120 |     | -150 |     | Unit |
|---|--------|------|-----|-----|-----|-----|-----|-----|------|-----|------|-----|------|
|   |        |      | Min | Max | Min | Max | Min | Max | Min  | Max | Min  | Max |      |
| Read Cycle Time   | tAVAV  | tRC  | 60  |     | 70  |     | 90  |     | 120  |     | 150  |     | ns   |
| Address Access Time   | tAVQV  | tACC |     | 60  |     | 70  |     | 90  |      | 120 |      | 150 | ns   |
| Chip Select Access Time   | tELQV  | tCE  |     | 60  |     | 70  |     | 90  |      | 120 |      | 150 | ns   |
| Output Enable to Output Valid   | tGLQV  | tOE  |     | 30  |     | 35  |     | 35  |      | 50  |      | 55  | ns   |
| Chip Select to Output High Z (1)  | tEHQZ  | tDF  |     | 20  |     | 20  |     | 20  |      | 30  |      | 35  | ns   |
| Output Enable High to Output High Z (1)   | tGHQZ  | tDF  |     | 20  |     | 20  |     | 20  |      | 30  |      | 35  | ns   |
| Output Hold from Address, $\overline{CS}$ or $\overline{OE}$ Change, whichever is First | tAXQX  | tOH  | 0   |     | 0   |     | 0   |     | 0    |     | 0    |     | ns   |

1. Guaranteed by design, but not tested

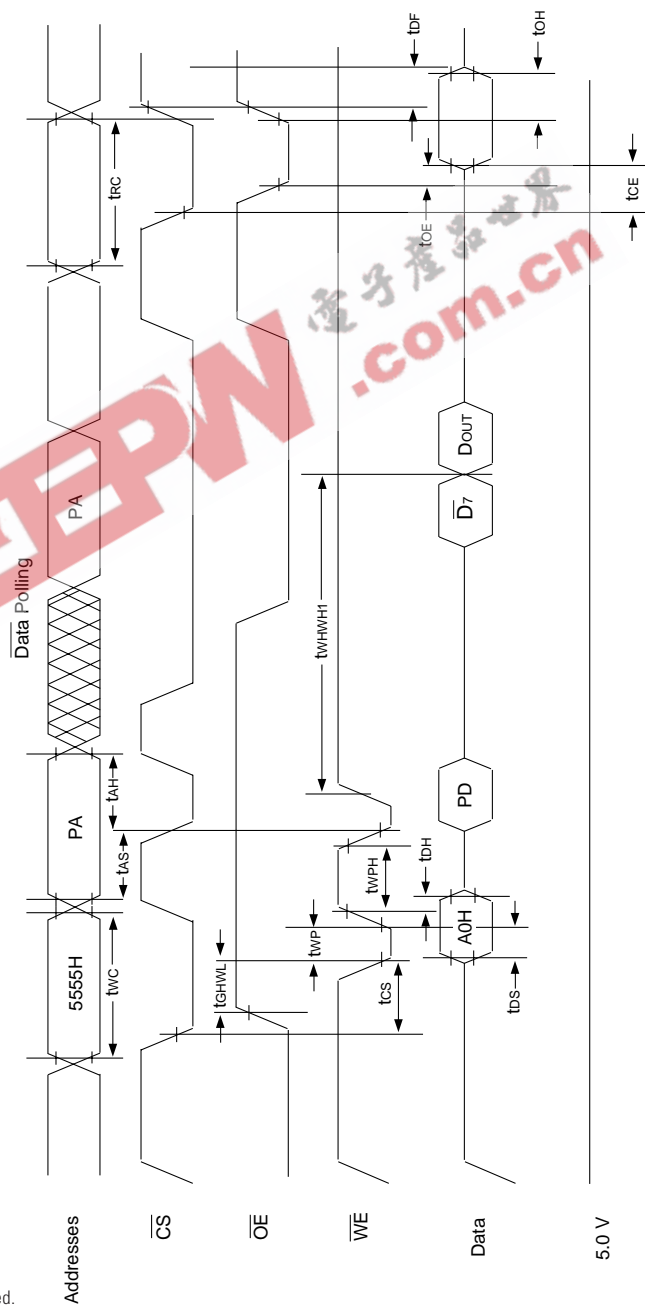


**FIG. 5**  
AC WAVEFORMS FOR READ OPERATIONS





**FIG. 6**  
**WRITE/ERASE/PROGRAM**  
**OPERATION, WE CONTROLLED**

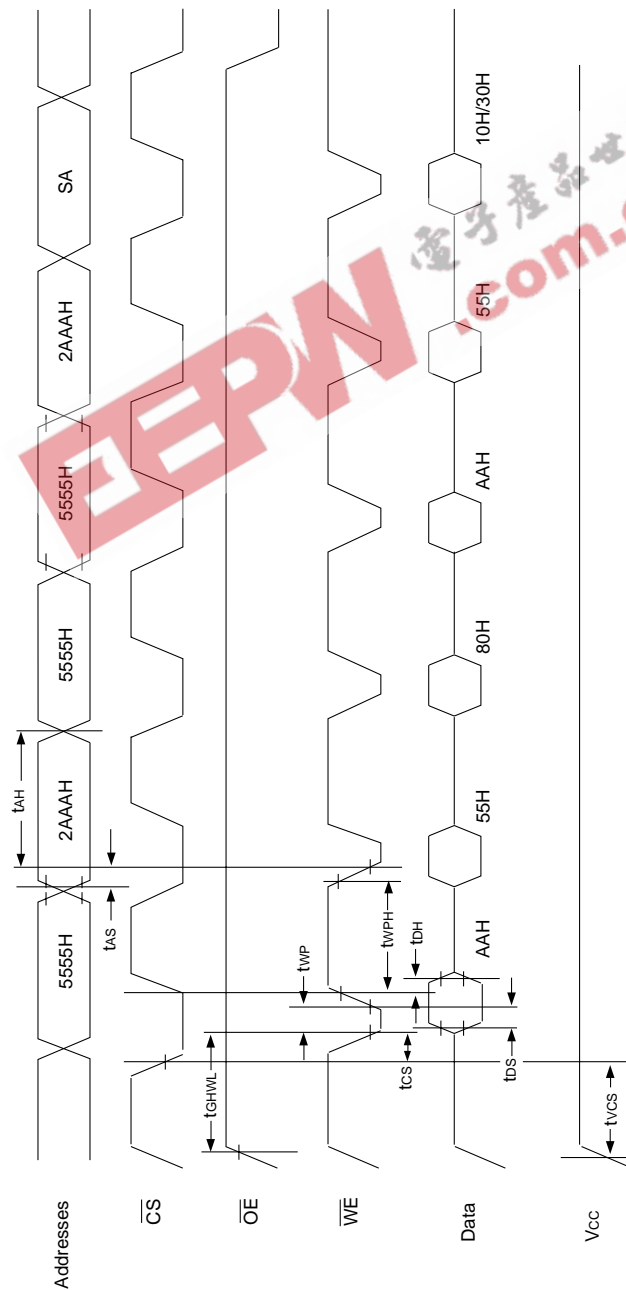


**NOTES:**

1. PA is the address of the memory location to be programmed.
2. PD is the data to be programmed at byte address.
3.  $\bar{D}_7$  is the output of the complement of the data written to the device (for each chip).
4. DOUT is the output of the data written to the device.
5. Figure indicates last two bus cycles of four bus cycle sequence.



**FIG. 7**  
**AC WAVEFORMS CHIP/SECTOR**  
**ERASE OPERATIONS**



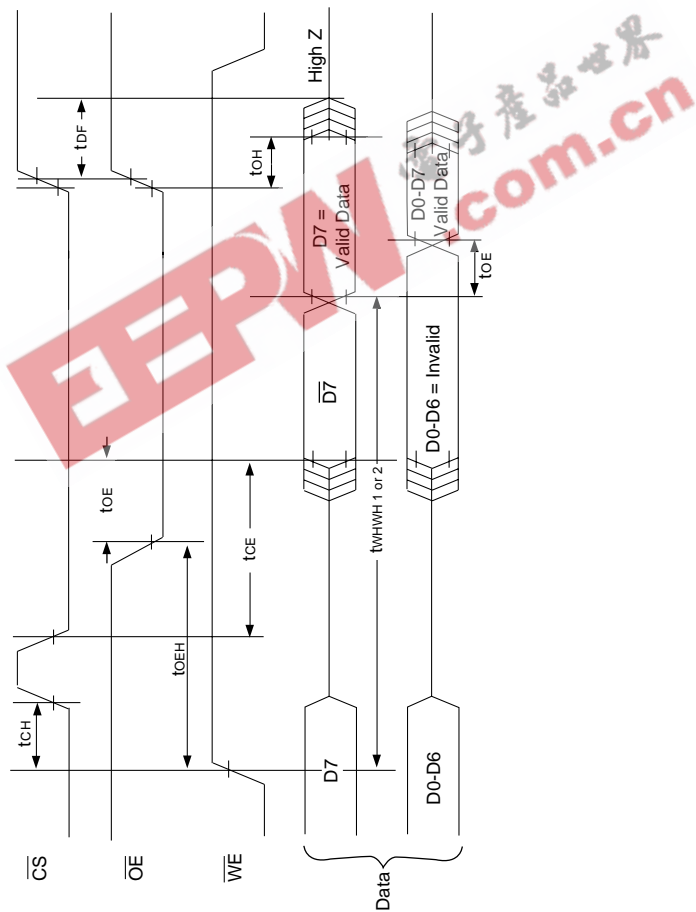
**NOTE:**

1. SA is the sector address for Sector Erase.



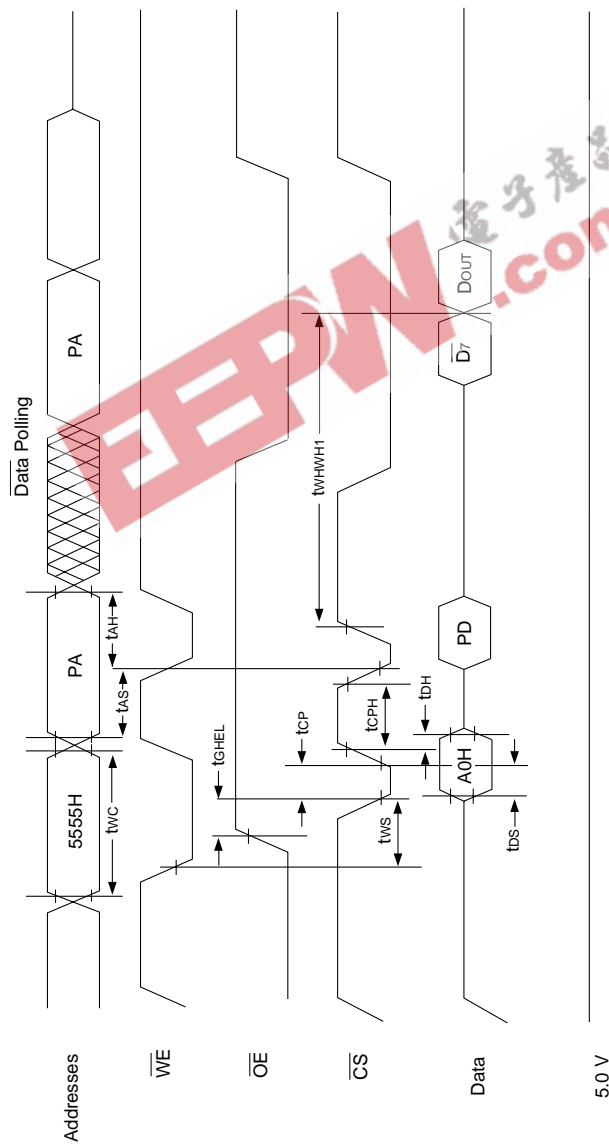


**FIG. 8**  
AC WAVEFORMS FOR DATA POLLING  
DURING EMBEDDED ALGORITHM OPERATIONS





**FIG. 9**  
**ALTERNATE  $\overline{CS}$  CONTROLLED**  
**PROGRAMMING OPERATION TIMINGS**

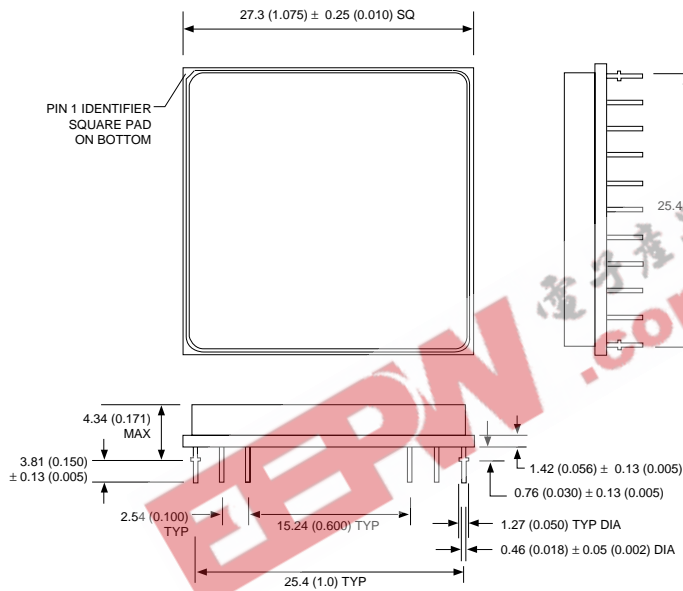


**NOTES:**

1. PA represents the address of the memory location to be programmed.
2. PD represents the data to be programmed at byte address.
3. D7 is the output of the complement of the data written to the device (for each chip).
4. DOUT is the output of the data written to the device.
5. Figure indicates the last two bus cycles of a four bus cycle sequence.



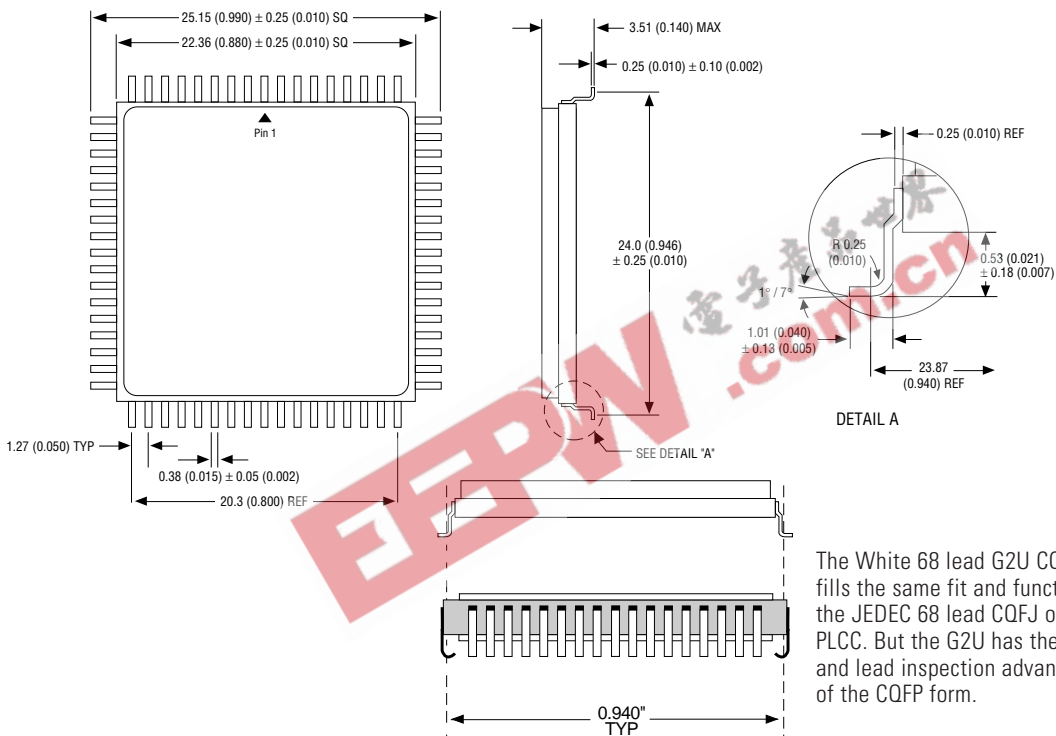
**PACKAGE 400: 66 PIN, PGA TYPE, CERAMIC HEX-IN-LINE PACKAGE, HIP (H1)**



ALL LINEAR DIMENSIONS ARE MILLIMETERS AND PARENTHETICALLY IN INCHES



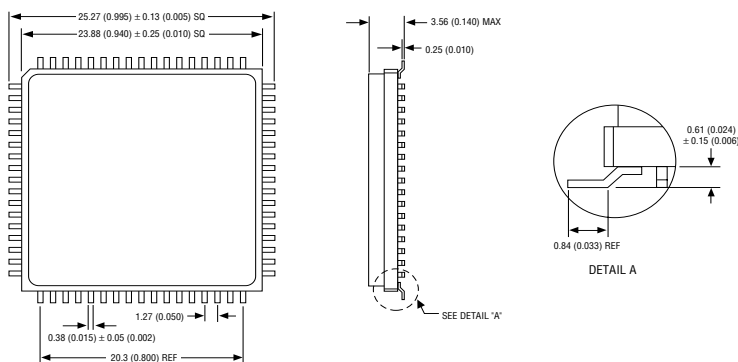
**PACKAGE 510: 68 LEAD, CERAMIC QUAD FLAT PACK, CQFP (G2U)**



The White 68 lead G2U CQFP fills the same fit and function as the JEDEC 68 lead CQFJ or 68 PLCC. But the G2U has the TCE and lead inspection advantage of the CQFP form.

ALL LINEAR DIMENSIONS ARE MILLIMETERS AND PARENTHETICALLY IN INCHES

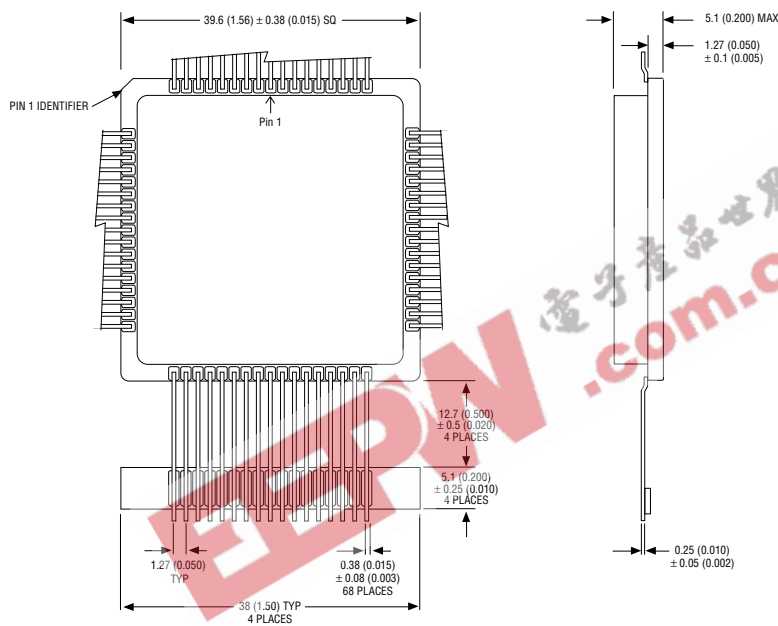
**PACKAGE 519: 68 LEAD, CERAMIC QUAD FLAT PACK, LOW PROFILE CQFP (G1U)**



ALL LINEAR DIMENSIONS ARE MILLIMETERS AND PARENTHETICALLY IN INCHES

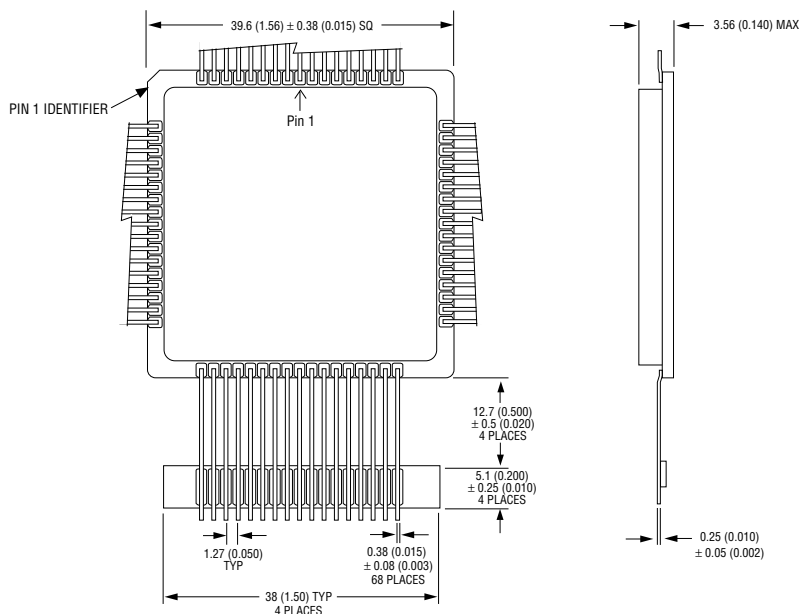


**PACKAGE 501: 68 LEAD, CERAMIC QUAD FLAT PACK, CQFP (G4)**



ALL LINEAR DIMENSIONS ARE MILLIMETERS AND PARENTHETICALLY IN INCHES

**PACKAGE 502: 68 LEAD, CERAMIC QUAD FLAT PACK, LOW PROFILE CQFP (G4T)**



ALL LINEAR DIMENSIONS ARE MILLIMETERS AND PARENTHETICALLY IN INCHES



ORDERING INFORMATION

W F 512K32 X - XXX X X 5 X

LEAD FINISH:

- Blank = Gold plated leads
- A = Solder dip leads

V<sub>PP</sub> PROGRAMMING VOLTAGE

5 = 5 V

DEVICE GRADE:

- M = Military Screened -55°C to +125°C
- I = Industrial -40°C to +85°C
- C = Commercial 0°C to +70°C

PACKAGE TYPE:

- H1 = 1.075" sq. Ceramic Hex In Line Package, HIP (Package 400\*)
- G2U = 22.4mm Low Profile CQFP (Package 510)
- G1U = 23.9mm Low Profile CQFP (Package 519)
- G4 = 40mm Low Capacitance, CQFP (Package 501)
- G4T = 40mm Low Profile CQFP (Package 502)

ACCESS TIME (ns)

IMPROVEMENT MARK

- N = No Connect at pins 21 and 39 in HIP for Upgrade (H1 only)\*
- F = Low Capacitance Device (G4 only)

ORGANIZATION, 512K x 32

User configurable as 1M x 16 or 2M x 8

Flash

WHITE ELECTRONIC DESIGNS CORP.

\* Call factory for PGA type (HIP) package options.



| DEVICE TYPE            | SPEED | PACKAGE                           | SMD NO.          |
|------------------------|-------|-----------------------------------|------------------|
| 512K x 32 Flash Module | 150ns | 66 pin HIP (H1) 1.075" sq.        | 5962-94612 01HUX |
| 512K x 32 Flash Module | 120ns | 66 pin HIP (H1) 1.075" sq.        | 5962-94612 02HUX |
| 512K x 32 Flash Module | 90ns  | 66 pin HIP (H1) 1.075" sq.        | 5962-94612 03HUX |
| 512K x 32 Flash Module | 70ns  | 66 pin HIP (H1) 1.075" sq.        | 5962-94612 04HUX |
| 512K x 32 Flash Module | 150ns | 68 lead CQFP Low Profile (G4T)    | 5962-94612 01HTX |
| 512K x 32 Flash Module | 120ns | 68 lead CQFP Low Profile (G4T)    | 5962-94612 02HTX |
| 512K x 32 Flash Module | 90ns  | 68 lead CQFP Low Profile (G4T)    | 5962-94612 03HTX |
| 512K x 32 Flash Module | 70ns  | 68 lead CQFP Low Profile (G4T)    | 5962-94612 04HTX |
| 512K x 32 Flash Module | 150ns | 68 lead Low Capacitance CQFP (G4) | 5962-94612 01HNX |
| 512K x 32 Flash Module | 120ns | 68 lead Low Capacitance CQFP (G4) | 5962-94612 02HNX |
| 512K x 32 Flash Module | 90ns  | 68 lead Low Capacitance CQFP (G4) | 5962-94612 03HNX |
| 512K x 32 Flash Module | 70ns  | 68 lead Low Capacitance CQFP (G4) | 5962-94612 04HNX |
| 512K x 32 Flash Module | 150ns | 68 lead CQFP/J (G2U)              | 5962-94612 01HZX |
| 512K x 32 Flash Module | 120ns | 68 lead CQFP/J (G2U)              | 5962-94612 02HZX |
| 512K x 32 Flash Module | 90ns  | 68 lead CQFP/J (G2U)              | 5962-94612 03HZX |
| 512K x 32 Flash Module | 70ns  | 68 lead CQFP/J (G2U)              | 5962-94612 04HZX |
| 512K x 32 Flash Module | 150ns | 68 lead CQFP/J (G1U)              | 5962-94612 01H9X |
| 512K x 32 Flash Module | 120ns | 68 lead CQFP/J (G2U)              | 5962-94612 02H9X |
| 512K x 32 Flash Module | 90ns  | 68 lead CQFP/J (G2U)              | 5962-94612 03H9X |
| 512K x 32 Flash Module | 70ns  | 68 lead CQFP/J (G2U)              | 5962-94612 04H9X |