

W66880CF



VFD CONTROLLER/DRIVER

GENERAL DESCRIPTION

The W66880CF is a VFD (Vacuum Fluorescent Display) controller/ driver. It can be programmed to drive a VFD with 4 grids by 16 segments to 8 grids by 14 segments. The W66880CF also includes a 24-key key scan circuit and four LED ports and four general purpose input ports. Data communication with the W66880CF is via a serial interface.

- High voltage output ($V_{DD} - V_{EE} = 30V$ max)
- Four 15 mA LED ports
- Four general-purpose input port
- Internal driver output pull-down resistors
- Only one external resistor is needed for the on chip oscillator
- Simple serial interface
- 44-pin plastic QFP package

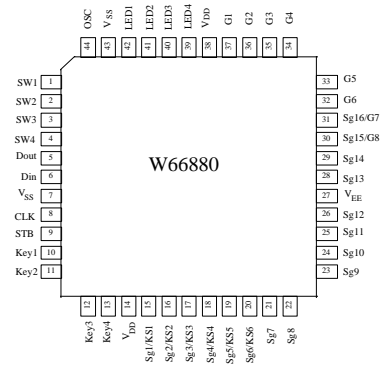
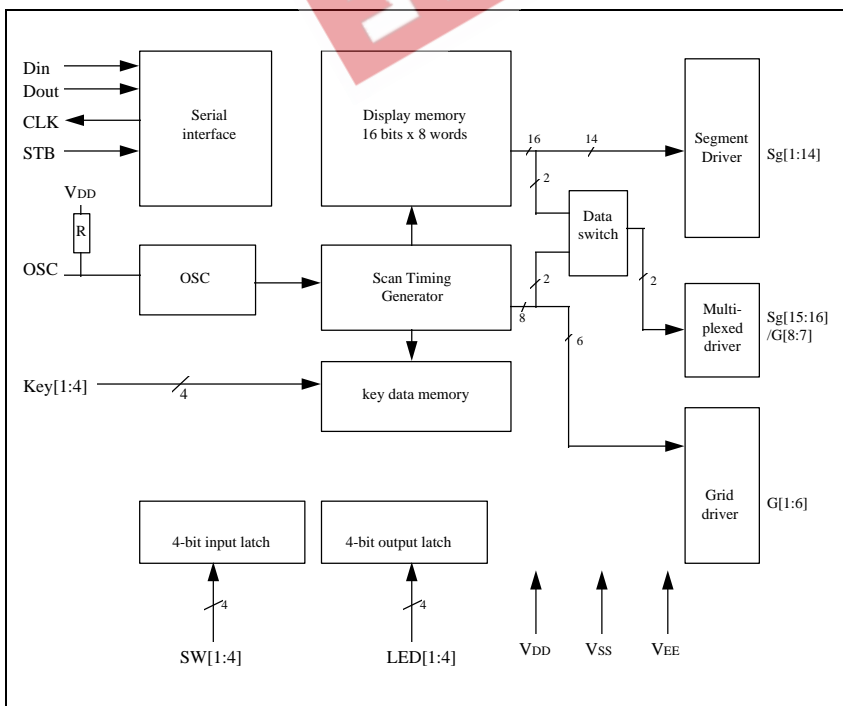
FEATURES

- Flexible display modes (4 to 8 grids)
 - 4 grids \times 16 segments to 8 grids \times 14 segments
- 6 \times 4 matrix key scanning
- 8 steps dimming circuit

APPLICATIONS

VFD display driving and panel function control

Functional Block Pin Configuration



Winbond Corporate Headquarters
Tel : 886-3-5790666
Fax : 886-3-5796139

Taipei Sales Office
Tel : 886-2-7190505
Fax : 886-2-7197502

Winbond Electronics North America Corp.
Tel : 1-408-9436666
Fax : 1-408-9436668

Winbond Electronics H.K. Ltd.
Tel : 852-27513100
Fax : 852-27552064