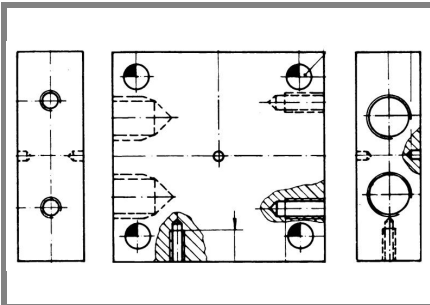


# WK 33



## Heatsinks

### Liquid cooling for capsule devices

#### WK 33

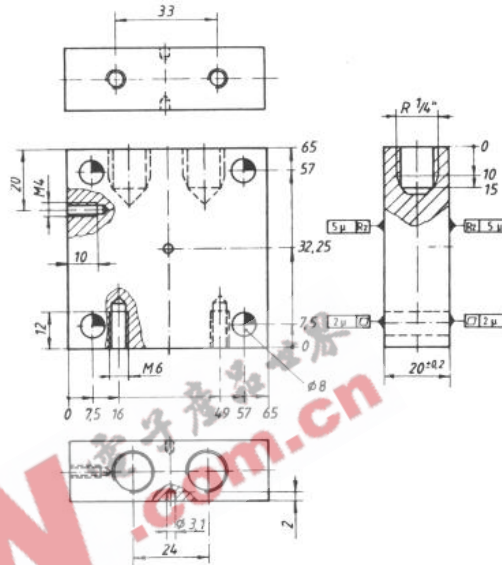
Publish Data

#### Features

- Intended for capsule devices
- Designed for water/liquid cooling

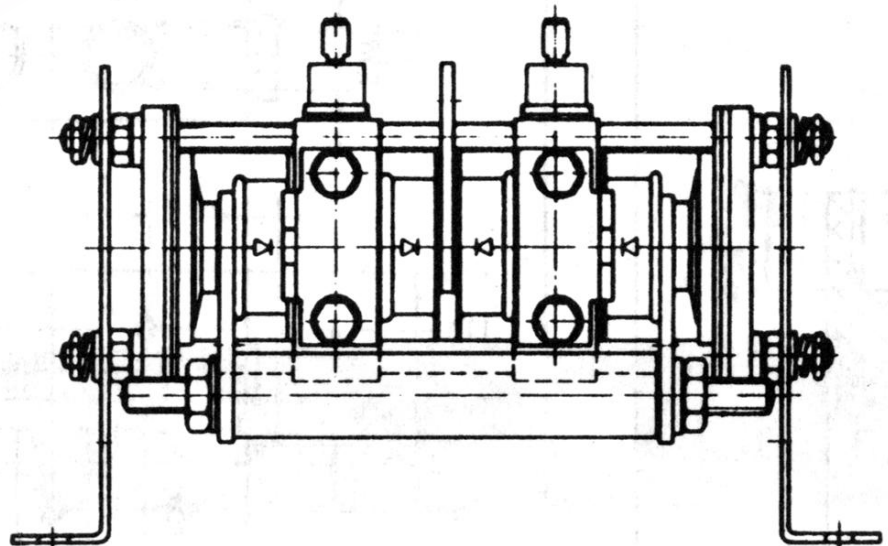
Standard lengths	n	b / d Ø	$R_{thcw} (H_2O: V_W/t; \Delta p)$ $R_{th(case - cooling water)}$	$R_{thmw} (H_2O: V_W/t; \Delta p)$ $R_{th(thermal trip - cooling water)}$	w
		mm	K/W	K/W	kg
2 x WK 33		2 x 19	0,134		1,28
$V_W/t: 4 \text{ l/min}$ $\Delta p: 45 \text{ mbar}$		2 x 25	0,105		

Dimensions in mm



WK 33 general profile dimensions (w = 0,64 kg)

Dimensions in mm



Example setup using heatsink WK 33 for cooling of capsules

EEPW 电子产品世界  
.com.cn