

Thin Film Microwave Resistor

MICROWAVE RESISTORS



Product may not be to scale

The MIC resistor chips on alumina are designed with low shunt capacitance. Most lower value resistor geometrics are compatible with strip lines, making them ideally suited for microwave circuits.

These chips are manufactured using Vishay Electro-Films (EFI) sophisticated Thin Film equipment and manufacturing technology. The MICs are 100 % electrically tested and visually inspected to MIL-STD-883.

APPLICATIONS

Vishay EFI MIC chip resistors provide excellent high-frequency response and are ideally suited for prototyping. Typical application areas are:

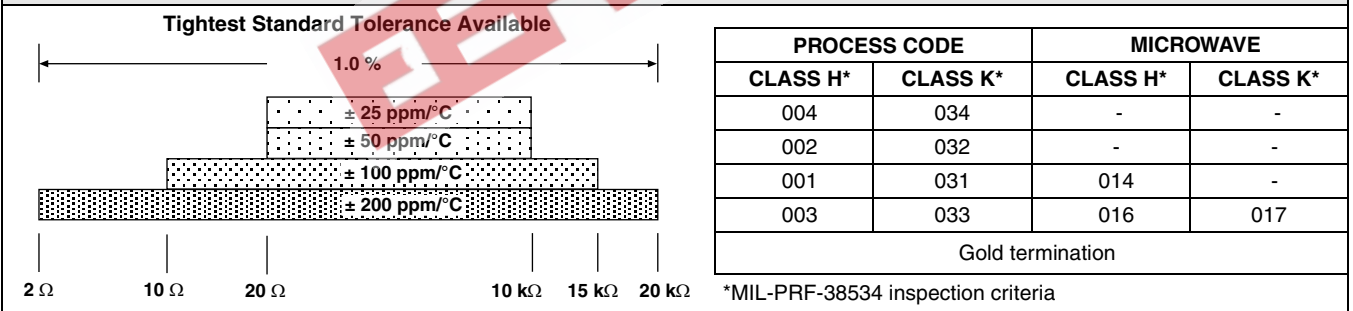
- Amplifiers
- Oscillators
- Attenuators

FEATURES

- Wire bondable
- Small chip size: 0.020 x 0.040 inches
- Microwave resistance range: 20 Ω - 1 kΩ
- Overall resistance range: 2 Ω to 20 kΩ
- Alumina substrate
- Low stray capacitance: < 0.2 pF
- Resistor material: Tantalum nitride, self passivating
- Moisture resistant
- High frequency

- Couplers
- Filters

TEMPERATURE COEFFICIENT OF RESISTANCE, VALUES AND TOLERANCES



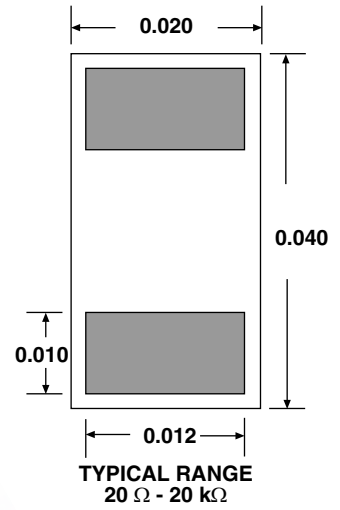
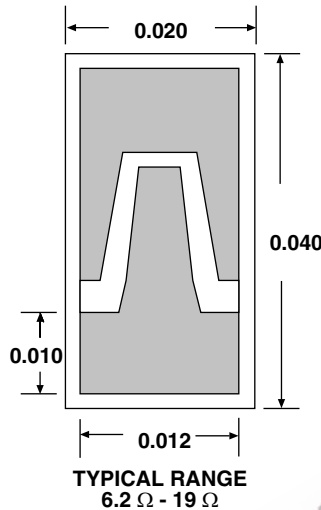
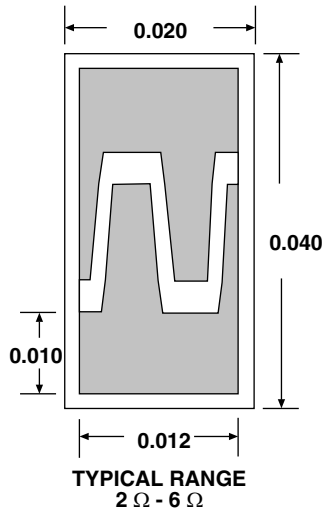
Note

- Only 20 W to 1 kW are standard strip line designs for microwave applications

STANDARD ELECTRICAL SPECIFICATIONS

PARAMETER	
Noise, MIL-STD-202, Method 308	- 20 dB typ.
Moisture Resistance, MIL-STD-202, Method 106	± 0.1 % max. ΔR/R
Stability, 1000 h, + 125 °C, 62 mW	± 0.2 % max. ΔR/R
Operating Temperature Range	- 55 °C to + 125 °C
Thermal Shock, MIL-STD-202, Method 107, Test Condition F	± 0.1 % max. ΔR/R
High Temperature Exposure, + 150 °C, 1000 h	± 0.2 % max. ΔR/R
Dielectric Voltage Breakdown	400 V
Insulation Resistance	10 ¹² min.
Operating Voltage	100 V max.
DC Power Rating at + 70 °C (Derated to Zero at 150 °C)	125 mW max.
5 x Rated Power Short-Time Overload, + 25 °C, 5 s	± 0.1 % max. ΔR/R

DIMENSIONS in inches

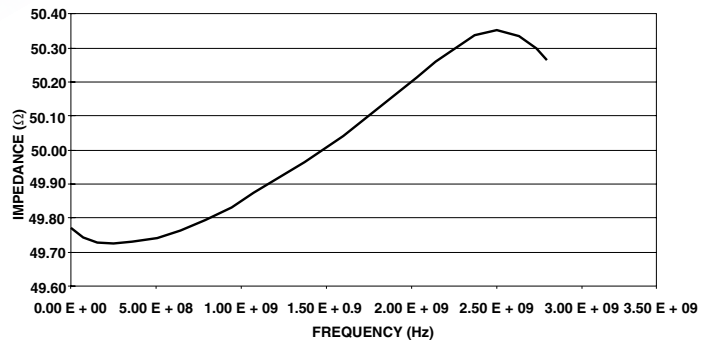


SCHEMATIC



MECHANICAL SPECIFICATIONS in inches	
PARAMETER	
Chip Size	0.020 x 0.040 ± 0.003 (0.5 x 1.0 ± 0.076 mm)
Chip Thickness	0.010 ± 0.002 (0.254 ± 0.05 mm)
Chip Substrate Material	99.6 % alumina, 2 - 4 microinch finish
Resistor Material	Tantalum nitride, self passivating
Bonding Pad Size	0.010 x 0.012 (0.254 x 0.30 mm) minimum
Number of Pads	2
Pad Material	25 kÅ minimum gold standard
Backing	None

IMPEDANCE VS FREQUENCY
50 Ω, 20 x 40 MIL SIZE



Options: Terminations: Aluminum, nickel solder (62/32/2)
Gold back for solder die attach
Contact Applications Engineer

ORDERING INFORMATION

Example: 100 % visualled, 50 Ω, ± 10 %, ± 100 ppm/°C TCR, gold pads, class H visual inspection

W	MIC	001	5000	B	K
INSPECTION/ PACKAGING	PRODUCT FAMILY	PROCESS CODE	RESISTANCE VALUE	MULTIPLIER CODE	TOLERANCE CODE
W = 100 % visually inspected parts in matrix trays per MIL-STD-883 X = Sample, visually inspected parts loaded in matrix trays (4 % AQL)			Use first 4 digits significant digits of the resistance	B = 0.01 A = 0.1 0 = 1 1 = 10 2 = 100	F = 1.0 % G = 2.0 % H = 2.5 % J = 5.0 % K = 10 %



Disclaimer

All product specifications and data are subject to change without notice.

Vishay Intertechnology, Inc., its affiliates, agents, and employees, and all persons acting on its or their behalf (collectively, "Vishay"), disclaim any and all liability for any errors, inaccuracies or incompleteness contained herein or in any other disclosure relating to any product.

Vishay disclaims any and all liability arising out of the use or application of any product described herein or of any information provided herein to the maximum extent permitted by law. The product specifications do not expand or otherwise modify Vishay's terms and conditions of purchase, including but not limited to the warranty expressed therein, which apply to these products.

No license, express or implied, by estoppel or otherwise, to any intellectual property rights is granted by this document or by any conduct of Vishay.

The products shown herein are not designed for use in medical, life-saving, or life-sustaining applications unless otherwise expressly indicated. Customers using or selling Vishay products not expressly indicated for use in such applications do so entirely at their own risk and agree to fully indemnify Vishay for any damages arising or resulting from such use or sale. Please contact authorized Vishay personnel to obtain written terms and conditions regarding products designed for such applications.

Product names and markings noted herein may be trademarks of their respective owners.