



128Kx8 MONOLITHIC SRAM, SMD 5962-96691

FEATURES

- Access Times 70, 85, 100, 120ns
- Revolutionary, Center Power/Ground Pinout JEDEC Approved
 - 32 lead Ceramic SOJ (Package 101)
- Evolutionary, Corner Power/Ground Pinout JEDEC Approved
 - 32 pin Ceramic DIP (Package 300)
 - 32 lead Ceramic SOJ (Package 101)
 - 32 lead Ceramic Flat Pack (Package 206)
- MIL-STD-883 Compliant Devices Available
- Commercial, Industrial and Military Temperature Range
- 5 Volt Power Supply
- Low Power CMOS
- 2V Data Retention Devices Available (Low Power Version)
- TTL Compatible Inputs and Outputs

REVOLUTIONARY PINOUT

32 CSOJ (DR)

TOP VIEW

| | | | |
|-----------------|----|----|-----------------|
| A0 | 1 | 32 | A16 |
| A1 | 2 | 31 | A15 |
| A2 | 3 | 30 | A14 |
| A3 | 4 | 29 | A13 |
| \overline{CS} | 5 | 28 | \overline{OE} |
| I/O1 | 6 | 27 | I/O8 |
| I/O2 | 7 | 26 | I/O7 |
| Vcc | 8 | 25 | GND |
| GND | 9 | 24 | Vcc |
| I/O3 | 10 | 23 | I/O6 |
| I/O4 | 11 | 22 | I/O5 |
| \overline{WE} | 12 | 21 | A12 |
| A4 | 13 | 20 | A11 |
| A5 | 14 | 19 | A10 |
| A6 | 15 | 18 | A9 |
| A7 | 16 | 17 | A8 |

EVOLUTIONARY PINOUT

32 DIP (C)
32 CSOJ (DE)
32 FLATPACK (FE)

TOP VIEW

| | | | |
|------|----|----|-----------------|
| NC | 1 | 32 | Vcc |
| A16 | 2 | 31 | A15 |
| A14 | 3 | 30 | NC |
| A12 | 4 | 29 | \overline{WE} |
| A7 | 5 | 28 | A13 |
| A6 | 6 | 27 | A8 |
| A5 | 7 | 26 | A9 |
| A4 | 8 | 25 | A11 |
| A3 | 9 | 24 | \overline{OE} |
| A2 | 10 | 23 | A10 |
| A1 | 11 | 22 | \overline{CS} |
| A0 | 12 | 21 | I/O7 |
| I/O0 | 13 | 20 | I/O6 |
| I/O1 | 14 | 19 | I/O5 |
| I/O2 | 15 | 18 | I/O4 |
| GND | 16 | 17 | I/O3 |

PIN DESCRIPTION

| | |
|-----------------|-------------------|
| A0-16 | Address Inputs |
| I/O0-7 | Data Input/Output |
| \overline{CS} | Chip Select |
| \overline{OE} | Output Enable |
| \overline{WE} | Write Enable |
| Vcc | +5.0V Power |
| GND | Ground |



ABSOLUTE MAXIMUM RATINGS

| Parameter | Symbol | Min | Max | Unit |
|--------------------------------|------------------|------|----------------------|------|
| Operating Temperature | T _A | -55 | +125 | °C |
| Storage Temperature | T _{STG} | -65 | +150 | °C |
| Signal Voltage Relative to GND | V _G | -0.5 | V _{CC} +0.5 | V |
| Junction Temperature | T _J | | 150 | °C |
| Supply Voltage | V _{CC} | -0.5 | 7.0 | V |

TRUTH TABLE

| \overline{CS} | \overline{OE} | \overline{WE} | Mode | Data I/O | Power |
|-----------------|-----------------|-----------------|-------------|----------|---------|
| H | X | X | Standby | High Z | Standby |
| L | L | H | Read | Data Out | Active |
| L | H | H | Out Disable | High Z | Active |
| L | X | L | Write | Data In | Active |

RECOMMENDED OPERATING CONDITIONS

| Parameter | Symbol | Min | Max | Unit |
|--------------------|-----------------|------|-----------------------|------|
| Supply Voltage | V _{CC} | 4.5 | 5.5 | V |
| Input High Voltage | V _{IH} | 2.2 | V _{CC} + 0.3 | V |
| Input Low Voltage | V _{IL} | -0.5 | +0.8 | V |

**CAPACITANCE
(TA = +25°C)**

| Parameter | Symbol | Condition | Package | Max | Unit |
|--------------------|------------------|-----------------------------------|---|-----|------|
| Input capacitance | C _{IN} | V _{IN} = 0V, f = 1.0MHz | 32 Pin CSOJ, DIP, Flat Pack Evolutionary | 12 | pF |
| | | | 32 Pin CSOJ Revolutionary | 20 | pF |
| Output capacitance | C _{OUT} | V _{OUT} = 0V, f = 1.0MHz | 32 Pin CSOJ, DIP, Flat Pack Evolutionary | 12 | pF |
| | | | 32 Pin CSOJ Revolutionary | 20 | pF |

This parameter is guaranteed by design but not tested.

**DC CHARACTERISTICS
(VCC = 5.0V, GND = 0V, TA = -55°C TO +125°C)**

| Parameter | Sym | Conditions | -70 | | -85 | | -100 | | -120 | | Units |
|--------------------------|-----------------|--|-----|-----|-----|-----|------|-----|------|-----|-------|
| | | | Min | Max | Min | Max | Min | Max | Min | Max | |
| Input Leakage Current | I _{LI} | V _{CC} = 5.5, V _{IN} = GND to V _{CC} | | 10 | | 10 | | 10 | | 10 | μA |
| Output Leakage Current | I _{LO} | $\overline{CS} = V_{IH}, \overline{OE} = V_{IH}, V_{OUT} = GND \text{ to } V_{CC}$ | | 10 | | 10 | | 10 | | 10 | μA |
| Operating Supply Current | I _{CC} | $\overline{CS} = V_{IH}, \overline{OE} = V_{IH}, f = 5\text{MHz}, V_{CC} = 5.5$ | | 30 | | 30 | | 30 | | 30 | mA |
| Standby Current | I _{SB} | $\overline{CS} = V_{IH}, \overline{OE} = V_{IH}, f = 5\text{MHz}, V_{CC} = 5.5$ | | 5 | | 5 | | 5 | | 5 | mA |
| Output Low Voltage | V _{OL} | I _{OL} = 2.1mA, V _{CC} = 4.5 | | 0.4 | | 0.4 | | 0.4 | | 0.4 | V |
| Output High Voltage | V _{OH} | I _{OH} = -1.0mA, V _{CC} = 4.5 | 2.4 | | 2.4 | | 2.4 | | 2.4 | | V |

NOTE: DC test conditions: V_{IH} = V_{CC} - 0.3V, V_{IL} = 0.3V

**DATA RETENTION CHARACTERISTICS
(TA = -55°C TO +125°C)**

| Parameter | Symbol | Conditions | -70 | | -85 | | -100 | | -120 | | Units |
|-------------------------------|--------------------|------------------------------------|-----|-----|-----|-----|------|-----|------|-----|-------|
| | | | Min | Max | Min | Max | Min | Max | Min | Max | |
| Data Retention Supply Voltage | V _{DR} | $\overline{CS} \geq V_{CC} - 0.2V$ | 2.0 | 5.5 | 2.0 | 5.5 | 2.0 | 5.5 | 2.0 | 5.5 | V |
| Data Retention Current | I _{CCDR1} | V _{CC} = 3V | | 1 | | 1 | | 1 | | 1 | mA |



AC CHARACTERISTICS
(VCC = 5.0V, TA = -55°C To +125°C)

| Parameter | Symbol | -70 | | -85 | | -100 | | -120 | | Units |
|------------------------------------|-------------------------------|-----|-----|-----|-----|------|-----|------|-----|-------|
| | | Min | Max | Min | Max | Min | Max | Min | Max | |
| Read Cycle | | | | | | | | | | |
| Read Cycle Time | t _{RC} | 70 | | 85 | | 100 | | 120 | | ns |
| Address Access Time | t _{AA} | | 70 | | 85 | | 100 | | 120 | ns |
| Output Hold from Address Change | t _{OH} | 3 | | 3 | | 3 | | 3 | | ns |
| Chip Select Access Time | t _{ACS} | | 70 | | 85 | | 100 | | 120 | ns |
| Output Enable to Output Valid | t _{OE} | | 35 | | 45 | | 50 | | 60 | ns |
| Chip Select to Output in Low Z | t _{CLZ} ¹ | 3 | | 3 | | 3 | | 3 | | ns |
| Output Enable to Output in Low Z | t _{OLZ} ¹ | 0 | | 0 | | 0 | | 0 | | ns |
| Chip Disable to Output in High Z | t _{CHZ} ¹ | | 25 | | 25 | | 35 | | 35 | ns |
| Output Disable to Output in High Z | t _{OHZ} ¹ | | 25 | | 25 | | 35 | | 35 | ns |

1. This parameter is guaranteed by design but not tested.

AC CHARACTERISTICS
(VCC = 5.0V, TA = -55°C To +125°C)

| Parameter | Symbol | -70 | | -85 | | -100 | | -120 | | Units |
|----------------------------------|-------------------------------|-----|-----|-----|-----|------|-----|------|-----|-------|
| | | Min | Max | Min | Max | Min | Max | Min | Max | |
| Write Cycle | | | | | | | | | | |
| Write Cycle Time | t _{WC} | 70 | | 85 | | 100 | | 120 | | ns |
| Chip Select to End of Write | t _{CW} | 60 | | 75 | | 80 | | 100 | | ns |
| Address Valid to End of Write | t _{AW} | 60 | | 75 | | 80 | | 100 | | ns |
| Data Valid to End of Write | t _{DW} | 30 | | 35 | | 40 | | 50 | | ns |
| Write Pulse Width | t _{WP} | 50 | | 55 | | 70 | | 80 | | ns |
| Address Setup Time | t _{AS} | 0 | | 0 | | 0 | | 0 | | ns |
| Address Hold Time | t _{AH} | 5 | | 5 | | 5 | | 5 | | ns |
| Output Active from End of Write | t _{OW} ¹ | 5 | | 5 | | 5 | | 5 | | ns |
| Write Enable to Output in High Z | t _{WHZ} ¹ | | 25 | | 30 | | 35 | | 35 | ns |
| Data Hold Time | t _{DH} | 0 | | 0 | | 0 | | 0 | | ns |

1. This parameter is guaranteed by design but not tested.

AC TEST CIRCUIT



AC TEST CONDITIONS

| Parameter | Typ | Unit |
|----------------------------------|----------------------------|------|
| Input Pulse Levels | $V_{IL} = 0, V_{IH} = 3.0$ | V |
| Input Rise and Fall | 5 | ns |
| Input and Output Reference Level | 1.5 | V |
| Output Timing Reference Level | 1.5 | V |

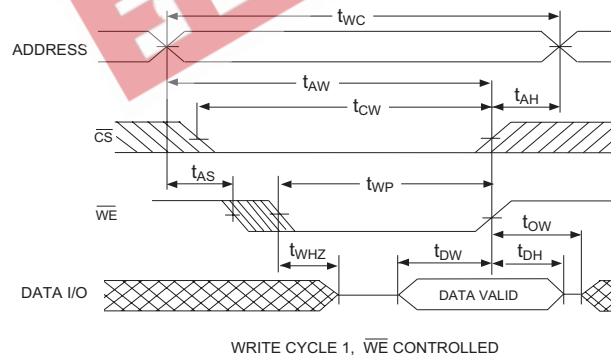
Notes:
 V_Z is programmable from -2V to +7V.
 I_{OL} & I_{OH} programmable from 0 to 16mA.
 Tester Impedance $Z_0 = 75\Omega$.
 V_Z is typically the midpoint of V_{OH} and V_{OL} .
 I_{OL} & I_{OH} are adjusted to simulate a typical resistive load circuit.
 ATE tester includes jig capacitance.



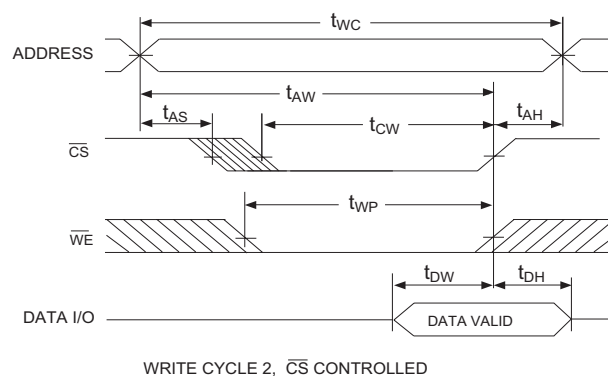
TIMING WAVEFORM - READ CYCLE



WRITE CYCLE - \overline{WE} CONTROLLED

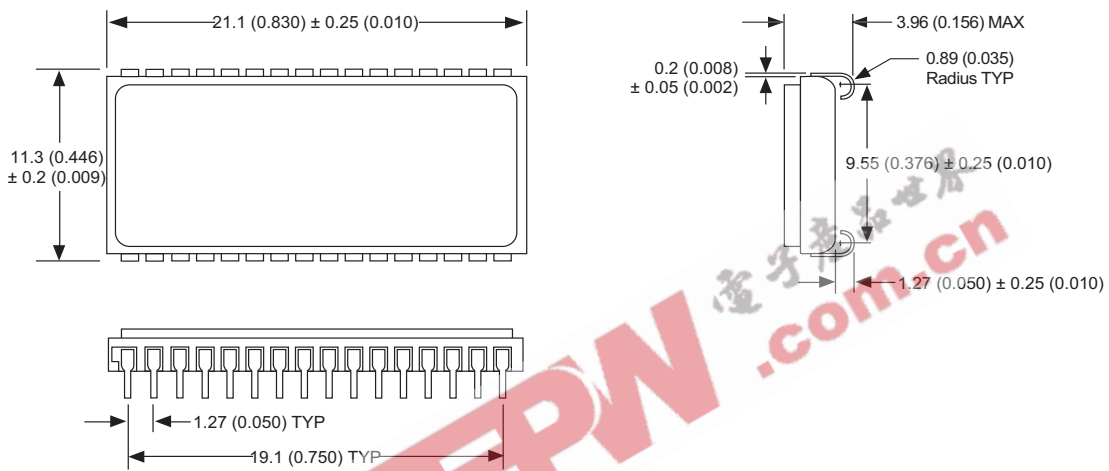


WRITE CYCLE - \overline{CS} CONTROLLED



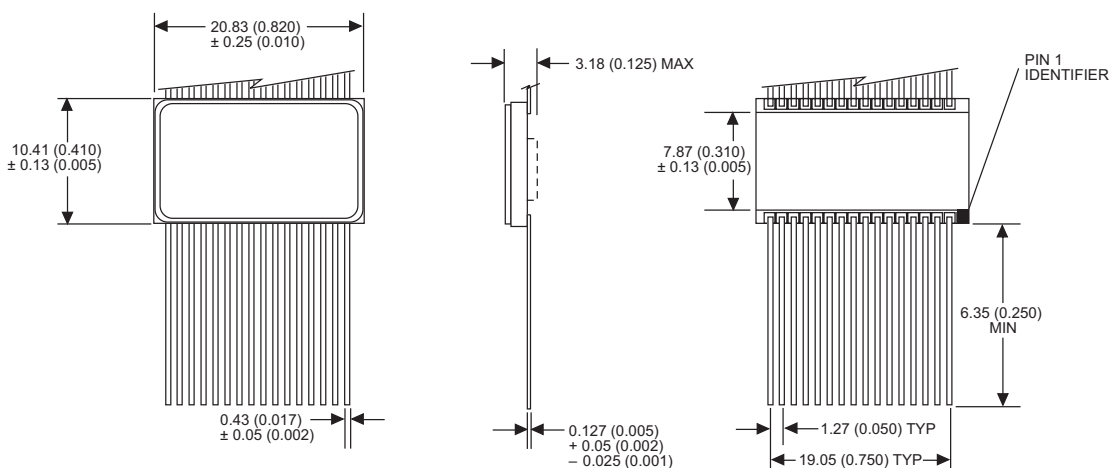


PACKAGE 101: 32 LEAD, CERAMIC SOJ



ALL LINEAR DIMENSIONS ARE MILLIMETERS AND PARENTHETICALLY IN INCHES

PACKAGE 206: 32 LEAD, CERAMIC FLAT PACK



ALL LINEAR DIMENSIONS ARE MILLIMETERS AND PARENTHETICALLY IN INCHES



PACKAGE 300: 32 PIN, CERAMIC DIP, SINGLE CAVITY SIDE BRAZED



ALL LINEAR DIMENSIONS ARE MILLIMETERS AND PARENTHETICALLY IN INCHES



**DATA RETENTION CHARACTERISTICS
(TA = -55°C TO +125°C)
LOW POWER VERSION ONLY**

| Parameter | Symbol | Conditions | | | Units |
|-------------------------------|--------|------------------------------------|-----|-----|---------|
| | | | Min | Max | |
| Data Retention Supply Voltage | VDR | $\overline{CS} \geq V_{CC} - 0.2V$ | 2.0 | 5.5 | V |
| Data Retention Current | ICCDR3 | VCC = 2V | | 750 | μA |

ORDERING INFORMATION

W M S 128K 8 X - XXX X X X

LEAD FINISH:

Blank = Gold plated leads
A = Solder clip leads

DEVICE GRADE:

M = Military Screened -55°C to +125°C
I = Industrial -40°C to +85°C
C = Commercial 0°C to +70°C

PACKAGE:

C = 32 Pin Ceramic .600" DIP (Package 300)
DE = 32 Lead Ceramic SOJ (Package 101) Evolutionary
DR = 32 Lead Ceramic SOJ (Package 101) Revolutionary
FE = 32 Lead Ceramic Flat Pack (Package 206)

ACCESS TIME (ns)

IMPROVEMENT MARK

L = Low Power for 2V Data Retention

ORGANIZATION, 128Kx8

SRAM

MONOLITHIC

WHITE ELECTRONIC DESIGNS CORP.



| DEVICE TYPE | SPEED | PACKAGE | SMD NO. |
|--------------------------|-------|------------------------|------------------|
| 128K x 8 SRAM Monolithic | 120ns | 32 lead SOJ Revol (DR) | 5962-96691 01HUX |
| 128K x 8 SRAM Monolithic | 100ns | 32 lead SOJ Revol (DR) | 5962-96691 02HUX |
| 128K x 8 SRAM Monolithic | 85ns | 32 lead SOJ Revol (DR) | 5962-96691 03HUX |
| 128K x 8 SRAM Monolithic | 70ns | 32 lead SOJ Revol (DR) | 5962-96691 04HUX |
| 128K x 8 SRAM Monolithic | 120ns | 32 lead SOJ Evol (DE) | 5962-96691 01HTX |
| 128K x 8 SRAM Monolithic | 100ns | 32 lead SOJ Evol (DE) | 5962-96691 02HTX |
| 128K x 8 SRAM Monolithic | 85ns | 32 lead SOJ Evol (DE) | 5962-96691 03HTX |
| 128K x 8 SRAM Monolithic | 70ns | 32 lead SOJ Evol (DE) | 5962-96691 04HTX |
| 128K x 8 SRAM Monolithic | 120ns | 32 pin DIP (C) | 5962-96691 01HYX |
| 128K x 8 SRAM Monolithic | 100ns | 32 pin DIP (C) | 5962-96691 02HYX |
| 128K x 8 SRAM Monolithic | 85ns | 32 pin DIP (C) | 5962-96691 03HYX |
| 128K x 8 SRAM Monolithic | 70ns | 32 pin DIP (C) | 5962-96691 04HYX |
| 128K x 8 SRAM Monolithic | 120ns | 32 pin Flatpack (FE) | 5962-96691 01HNX |
| 128K x 8 SRAM Monolithic | 100ns | 32 pin Flatpack (FE) | 5962-96691 02HNX |
| 128K x 8 SRAM Monolithic | 85ns | 32 pin Flatpack (FE) | 5962-96691 03HNX |
| 128K x 8 SRAM Monolithic | 70ns | 32 pin Flatpack (FE) | 5962-96691 04HNX |