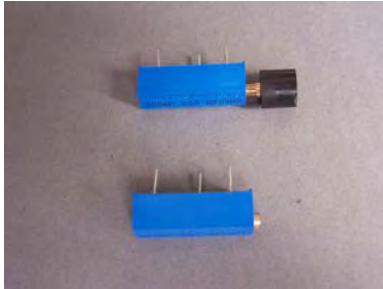


Sharma Potentiometers

WIW1012 (3006) Trimmer Potentiometer



Features

- 3/4" Rectangular / Multiturn
- Cermet / Industrial / Sealed
- Available with a knob for finger adjust
- Available with extended shaft

Electrical Characteristics

Standard Resistance Range
10 to 2.2 Megohms
(see standard resistance table)
Resistance Tolerance
± 10% std.
(tighter tolerance available)
Absolute Minimum Resistance
2 ohms max.
Contact Resistance Variation
3% or 3 ohms max.
(whichever is greater)
Adjustability
Voltage ± 0.05%
Resistance ± 0.15%
Resolution
Infinite
Insulation Resistance
500 vdc
1,000 Megohms min.
Dielectric Strength
101.3 kPa 600 vac
8.5 kPa 350 vac
Adjustment Angle: 22 turns min

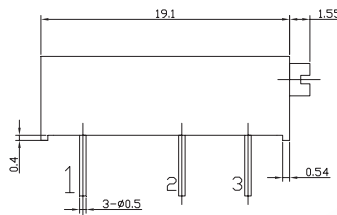
Environmental Characteristics

Power Rating (315 volts max.)
0.5 watt (70°C) , 0 watt (125°C)
Temperature Range
-55°C to +125°C
Temperature Coefficient
± 100ppm/°C
Vibration
98 m/s²
(1% Δ TR; 1% Δ VR)
Shock
390 m/s²
(1% Δ TR; 1% Δ VR)
Load Life
1,000 hours 0.5 watt @ 70°C
(3% Δ TR; 4% or 4 ohm)
Rotational Life: 200 cycles
(3% Δ TR; 4% or 4 ohm)

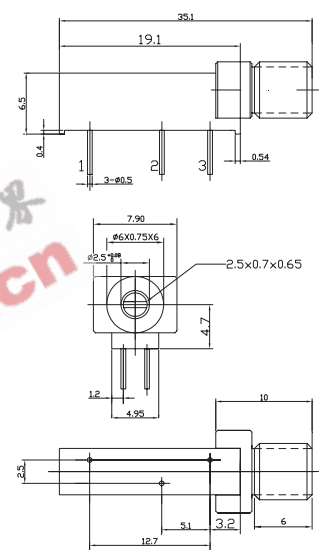
Physical Characteristics

Torque
15 mN • m max.
Standard Packaging
25 pcs. per tube

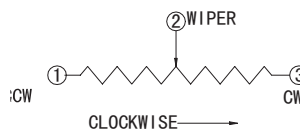
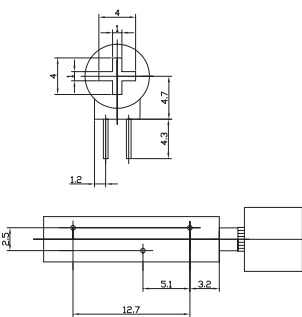
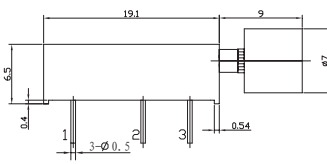
WIW1012-1



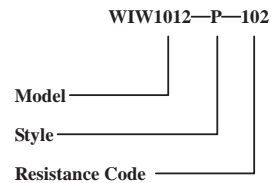
WIW1012-4



WIW1012-3



How to order



Standard Resistance Table

Resistance (Ohms)	Resistance Code
100	101
200	201
500	501
1,000	102
2,000	202
5,000	502
10,000	103
20,000	203
25,000	253
50,000	503
100,000	104
200,000	204
250,000	254
500,000	504
1,000,000	105
2,000,000	205

Special resistance available
Detail Specification: Q/R Y106-2002