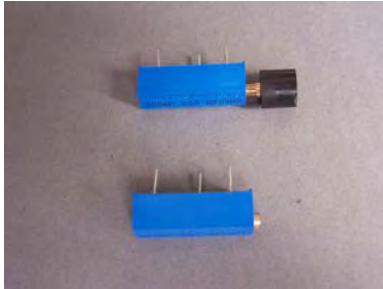


Sharma Potentiometers

WIW1012 (3006) Trimmer Potentiometer



Features

- 3/4" Rectangular / Multiturn
- Cermet / Industrial / Sealed
- Available with a knob for finger adjust
- Available with extended shaft

Electrical Characteristics

Standard Resistance Range
10 to 2.2 Megohms
(see standard resistance table)
Resistance Tolerance
± 10% std.
(tighter tolerance available)
Absolute Minimum Resistance
2 ohms max.
Contact Resistance Variation
3% or 3 ohms max.
(whichever is greater)
Adjustability
Voltage ± 0.05%
Resistance ± 0.15%
Resolution
Infinite
Insulation Resistance
500 vdc
1,000 Megohms min.
Dielectric Strength
101.3 kPa 600 vac
8.5 kPa 350 vac
Adjustment Angle: 22 turns min

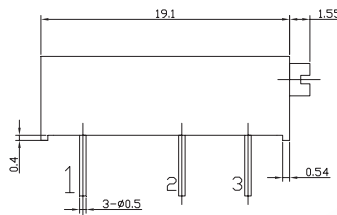
Environmental Characteristics

Power Rating (315 volts max.)
0.5 watt (70°C) , 0 watt (125°C)
Temperature Range
-55°C to +125°C
Temperature Coefficient
± 100ppm/°C
Vibration
98 m/s²
(1% Δ TR; 1% Δ VR)
Shock
390 m/s²
(1% Δ TR; 1% Δ VR)
Load Life
1,000 hours 0.5 watt @ 70°C
(3% Δ TR; 4% or 4 ohm)
Rotational Life: 200 cycles
(3% Δ TR; 4% or 4 ohm)

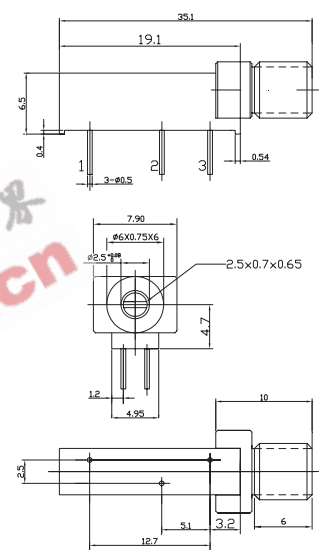
Physical Characteristics

Torque
15 mN • m max.
Standard Packaging
25 pcs. per tube

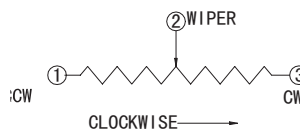
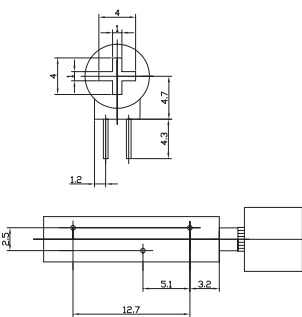
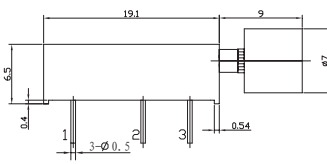
WIW1012-1



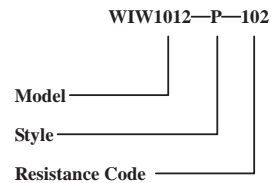
WIW1012-4



WIW1012-3



How to order



Standard Resistance Table

| Resistance (Ohms) | Resistance Code |
|-------------------|-----------------|
| 100 | 101 |
| 200 | 201 |
| 500 | 501 |
| 1,000 | 102 |
| 2,000 | 202 |
| 5,000 | 502 |
| 10,000 | 103 |
| 20,000 | 203 |
| 25,000 | 253 |
| 50,000 | 503 |
| 100,000 | 104 |
| 200,000 | 204 |
| 250,000 | 254 |
| 500,000 | 504 |
| 1,000,000 | 105 |
| 2,000,000 | 205 |

Special resistance available
Detail Specification: Q/R Y106-2002