

FEATURES:

- Switching capacity up to 10A
- Small size and light weight
- Low coil power consumption
- High contact load



18.2 x 10.6 x 14.7 mm

CONTACT DATA

| | |
|---------------------------|--|
| Contact Arrangement | 1A = SPST N.O 1C = SPDT |
| Contact Rating | 4.2A @ 277VAC; 5A @ 250VAC 10A @ 125VAC Resistive ¼ hp, 120/250/277VAC TV-5, 120VAC; Pilot Duty: C150 |
| Contact Resistance | < 50 milliohms initial |
| Contact Material | AgCdO |
| Maximum Switching Power | 150W 1250VA |
| Maximum Switching Voltage | 277VAC, 30VDC |
| Maximum Switching Current | 10A |

COIL DATA

| Coil Voltage VDC | | Coil Resistance $\Omega \pm 10\%$ | | Pick Up Voltage VDC (max) | Release Voltage VDC (min) | Coil Power W | Operate Time ms | Release Time ms |
|------------------|------|-----------------------------------|------|---------------------------|---------------------------|--------------|-----------------|-----------------|
| Rated | Max. | .20W | .45W | 75% of rated voltage | 10% of rated voltage | | | |
| 3 | 3.9 | 45 | 20 | 2.25 | 0.3 | .20 .45 | 10 | 10 |
| 5 | 6.5 | 125 | 55 | 3.75 | 0.5 | | | |
| 6 | 7.8 | 180 | 80 | 4.50 | 0.6 | | | |
| 9 | 11.7 | 400 | 180 | 6.75 | 0.9 | | | |
| 12 | 15.6 | 720 | 320 | 9.00 | 1.2 | | | |
| 18 | 22.8 | 1620 | 720 | 13.50 | 1.8 | | | |
| 24 | 31.2 | 2800 | 1280 | 18.00 | 2.4 | | | |
| 48 | 62.4 | 11520 | 5120 | 36.00 | 4.8 | | | |

CAUTION:

1. The use of any coil voltage less than the rated coil voltage may compromise the operation of the relay.
2. Pickup and release voltages are for test purposes only and are not to be used as design criteria.

GENERAL DATA

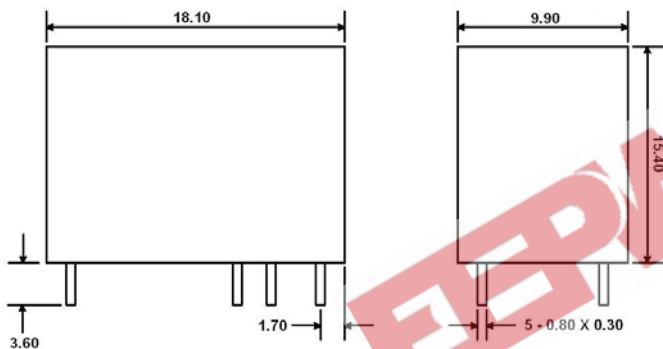
| | |
|--------------------------------------|-------------------------------------|
| Electrical Life @ rated load | 100K cycles, typical |
| Mechanical Life | 10M cycles, typical |
| Insulation Resistance | 100M Ω min @ 500VDC |
| Dielectric Strength, Coil to Contact | 1000V rms min. @ sea level |
| Contact to Contact | 4000V rms min. @ sea level |
| Shock Resistance | 100m/s ² for 11ms |
| Vibration Resistance | 1.50mm double amplitude 10-40Hz |
| Terminal (Copper Alloy) Strength | 10N |
| Operating Temperature | -40 °C to + 85 °C |
| Storage Temperature | -40 °C to + 155 °C |
| Solderability | 230 °C \pm 2 °C for 10 \pm 0.5s |
| Weight | 9.5g |

Distributor: Electro-Stock www.electrostock.com Tel: 630-682-1542 Fax: 630-682-1562

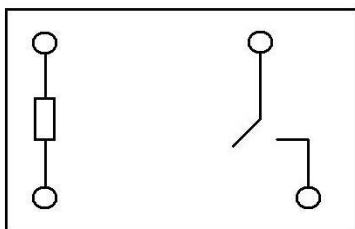
ORDERING INFORMATION

| | | | | |
|--|--------------|-----------|-------------|------------|
| 1. Series: | WJ105 | 1C | 9VDC | .45 |
| WJ105 | | | | |
| 2. Contact Arrangement: | | | | |
| 1A = SPST N.O. | | | | |
| 1C = SPDT | | | | |
| 3. Coil Voltage: | | | | |
| 3VDC | | | | |
| 5VDC | | | | |
| 6VDC | | | | |
| 9VDC | | | | |
| 12VDC | | | | |
| 18VDC | | | | |
| 24VDC | | | | |
| 48VDC | | | | |
| 4. Coil Power: | | | | |
| .20 = .20W (only available with 1A contacts) | | | | |
| .45 = .45W | | | | |

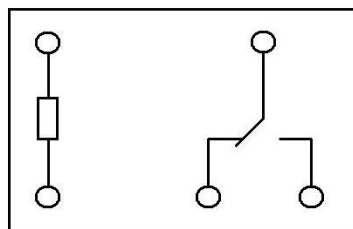
DIMENSIONS (Units = mm)



SCHEMATICS & PC LAYOUTS (BOTTOM VIEWS)



1A



1C

