



# 128Kx8 3.3V MONOLITHIC SRAM

PRELIMINARY\*

## FEATURES

- Access Times 15, 17, 20, 25, 35ns
- Revolutionary, Center Power/Ground Pinout JEDEC Approved
  - 32 lead Ceramic SOJ (Package 101)
  - 32 lead Ceramic Flat Pack (Package 220)\*\*
- Evolutionary, Corner Power/Ground Pinout JEDEC Approved
  - 32 pin Ceramic DIP (Package 300)
- 32 pin, Rectangular Ceramic Leadless Chip Carrier (Package 601)

- MIL-STD-883 Compliant Devices Available
- Commercial, Industrial and Military Temperature Range
- 3.3 Volt Power Supply
- Low Power CMOS
- TTL Compatible Inputs and Outputs

\* This data sheet describes a product under development, not fully characterized, and is subject to change without notice.

\*\* Package under development.

### REVOLUTIONARY PINOUT

### EVOLUTIONARY PINOUT

32 CSOJ (DR)  
32 FLATPACK (FR)\*\*

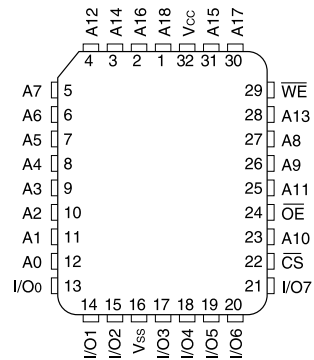
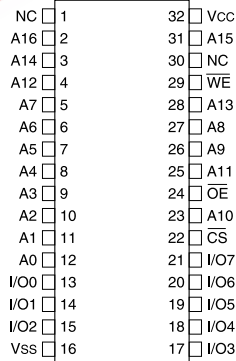
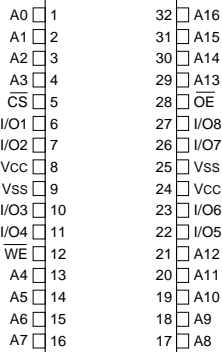
32 DIP (C)

32 CLCC

TOP VIEW

TOP VIEW

TOP VIEW



### PIN DESCRIPTION

|        |                    |
|--------|--------------------|
| A0-16  | Address Inputs     |
| I/O0-7 | Data Input/Outputs |
| CS     | Chip Select        |
| OE     | Output Enable      |
| WE     | Write Enable       |
| Vcc    | +3.3V Power        |
| Vss    | Ground             |
| NC     | Not Connected      |



**ABSOLUTE MAXIMUM RATINGS**

| Parameter                      | Symbol           | Min  | Max                  | Unit |
|--------------------------------|------------------|------|----------------------|------|
| Operating Temperature          | T <sub>A</sub>   | -55  | +125                 | °C   |
| Storage Temperature            | T <sub>STG</sub> | -65  | +150                 | °C   |
| Signal Voltage Relative to GND | V <sub>G</sub>   | -0.5 | V <sub>CC</sub> +0.5 | V    |
| Junction Temperature           | T <sub>J</sub>   |      | 150                  | °C   |
| Supply Voltage                 | V <sub>CC</sub>  | -0.5 | 5.5                  | V    |

**TRUTH TABLE**

| $\overline{CS}$ | $\overline{OE}$ | $\overline{WE}$ | Mode        | Data I/O | Power   |
|-----------------|-----------------|-----------------|-------------|----------|---------|
| H               | X               | X               | Standby     | High Z   | Standby |
| L               | L               | H               | Read        | Data Out | Active  |
| L               | X               | L               | Write       | Data In  | Active  |
| L               | H               | H               | Out Disable | High Z   | Active  |

**RECOMMENDED OPERATING CONDITIONS**

| Parameter              | Symbol          | Min  | Max                   | Unit |
|------------------------|-----------------|------|-----------------------|------|
| Supply Voltage         | V <sub>CC</sub> | 3.0  | 3.6                   | V    |
| Input High Voltage     | V <sub>IH</sub> | 2.2  | V <sub>CC</sub> + 0.3 | V    |
| Input Low Voltage      | V <sub>IL</sub> | -0.3 | +0.8                  | V    |
| Operating Temp. (Mil.) | T <sub>A</sub>  | -55  | +125                  | °C   |

**CAPACITANCE**  
(T<sub>A</sub> = +25°C)

| Parameter          | Symbol           | Condition                         | Max | Unit |
|--------------------|------------------|-----------------------------------|-----|------|
| Input capacitance  | C <sub>IN</sub>  | V <sub>IN</sub> = 0V, f = 1.0MHz  | 20  | pF   |
| Output capacitance | C <sub>OUT</sub> | V <sub>OUT</sub> = 0V, f = 1.0MHz | 20  | pF   |

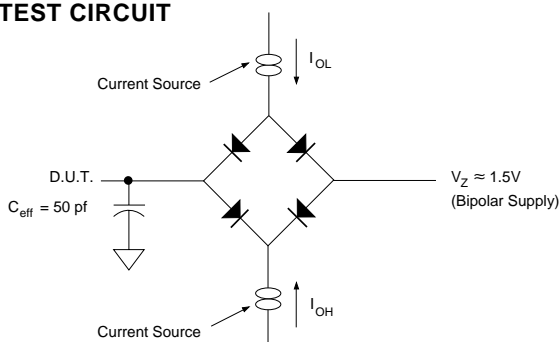
This parameter is guaranteed by design but not tested.

**DC CHARACTERISTICS**

(V<sub>CC</sub> = 3.3V ±0.3V, V<sub>SS</sub> = 0V, T<sub>A</sub> = -55°C to +125°C)

| Parameter                            | Sym             | Conditions  | Units |     |    |
|--------------------------------------|-----------------|---|-------|-----|----|
|                                      |                 |   | Min   | Max |    |
| Input Leakage Current                | I <sub>LI</sub> | V <sub>CC</sub> = 3.3, V <sub>IN</sub> = GND to V <sub>CC</sub>   |       | 10  | μA |
| Output Leakage Current               | I <sub>LO</sub> | $\overline{CS}$ = V <sub>IH</sub> , $\overline{OE}$ = V <sub>IH</sub> , V <sub>OUT</sub> = GND to V <sub>CC</sub> |       | 10  | μA |
| Operating Supply Current (x 32 Mode) | I <sub>CC</sub> | $\overline{CS}$ = V <sub>IL</sub> , $\overline{OE}$ = V <sub>IH</sub> , f = 5MHz, V <sub>CC</sub> = 3.3           |       | 120 | mA |
| Standby Current                      | I <sub>SB</sub> | $\overline{CS}$ = V <sub>IH</sub> , $\overline{OE}$ = V <sub>IH</sub> , f = 5MHz, V <sub>CC</sub> = 3.3           |       | 8   | mA |
| Output Low Voltage                   | V <sub>OL</sub> | I <sub>OL</sub> = 8mA   |       | 0.4 | V  |
| Output High Voltage                  | V <sub>OH</sub> | I <sub>OH</sub> = -4.0mA  | 2.4   |     | V  |

**AC TEST CIRCUIT**



**AC TEST CONDITIONS**

| Parameter                        | Typ  | Unit |
|----------------------------------|--|------|
| Input Pulse Levels               | V <sub>IL</sub> = 0, V <sub>IH</sub> = 2.5 | V    |
| Input Rise and Fall              | 5  | ns   |
| Input and Output Reference Level | 1.5  | V    |
| Output Timing Reference Level    | 1.5  | V    |

**NOTES:**

V<sub>Z</sub> is programmable from -2V to +7V.  
 I<sub>OL</sub> & I<sub>OH</sub> programmable from 0 to 16mA.  
 Tester Impedance Z<sub>0</sub> = 75 Ω.  
 V<sub>Z</sub> is typically the midpoint of V<sub>OH</sub> and V<sub>OL</sub>.  
 I<sub>OL</sub> & I<sub>OH</sub> are adjusted to simulate a typical resistive load circuit.  
 ATE tester includes jig capacitance.



**AC CHARACTERISTICS**  
(V<sub>CC</sub> = 3.3V, T<sub>A</sub> = -55°C to +125°C)

| Parameter                          | Symbol                        | -15 |     | -17 |     | -20 |     | -25 |     | -35 |     | Units |
|------------------------------------|-------------------------------|-----|-----|-----|-----|-----|-----|-----|-----|-----|-----|-------|
|                                    |                               | Min | Max | Min | Max | Min | Max | Min | Max | Min | Max |       |
| <b>Read Cycle</b>                  |                               |     |     |     |     |     |     |     |     |     |     |       |
| Read Cycle Time                    | t <sub>RC</sub>               | 15  |     | 17  |     | 20  |     | 25  |     | 35  |     | ns    |
| Address Access Time                | t <sub>AA</sub>               |     | 15  |     | 17  |     | 20  |     | 25  |     | 35  | ns    |
| Output Hold from Address Change    | t <sub>OH</sub>               | 0   |     | 0   |     | 0   |     | 0   |     | 0   |     | ns    |
| Chip Select Access Time            | t <sub>ACS</sub>              |     | 15  |     | 17  |     | 20  |     | 25  |     | 35  | ns    |
| Output Enable to Output Valid      | t <sub>OE</sub>               |     | 10  |     | 11  |     | 12  |     | 15  |     | 20  | ns    |
| Chip Select to Output in Low Z     | t <sub>CLZ</sub> <sup>1</sup> | 5   |     | 5   |     | 5   |     | 5   |     | 5   |     | ns    |
| Output Enable to Output in Low Z   | t <sub>OLZ</sub> <sup>1</sup> | 5   |     | 5   |     | 5   |     | 5   |     | 5   |     | ns    |
| Chip Disable to Output in High Z   | t <sub>CHZ</sub> <sup>1</sup> |     | 8   |     | 9   |     | 10  |     | 12  |     | 15  | ns    |
| Output Disable to Output in High Z | t <sub>OHZ</sub> <sup>1</sup> |     | 8   |     | 9   |     | 10  |     | 12  |     | 15  | ns    |

1. This parameter is guaranteed by design but not tested.

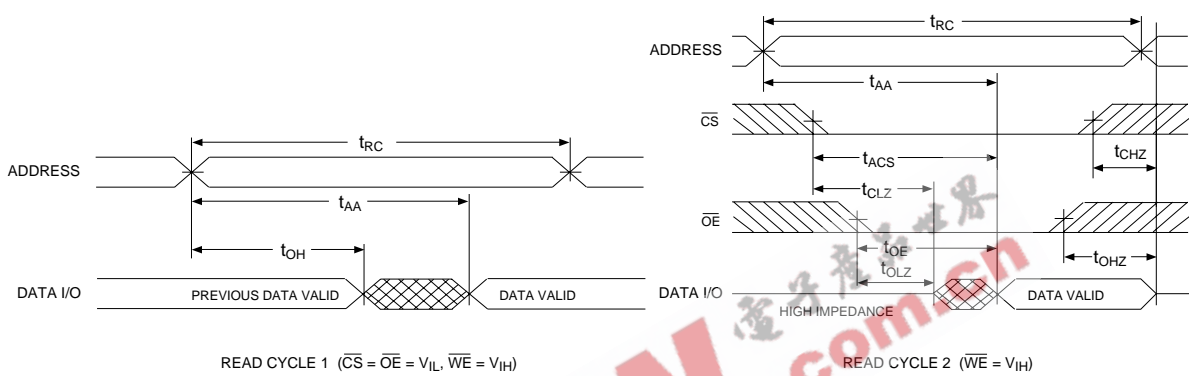
**AC CHARACTERISTICS**  
(V<sub>CC</sub> = 3.3V, T<sub>A</sub> = -55°C to +125°C)

| Parameter                        | Symbol                        | -15 |     | -17 |     | -20 |     | -25 |     | -35 |     | Units |
|----------------------------------|-------------------------------|-----|-----|-----|-----|-----|-----|-----|-----|-----|-----|-------|
|                                  |                               | Min | Max | Min | Max | Min | Max | Min | Max | Min | Max |       |
| <b>Write Cycle</b>               |                               |     |     |     |     |     |     |     |     |     |     |       |
| Write Cycle Time                 | t <sub>WC</sub>               | 15  |     | 17  |     | 20  |     | 25  |     | 35  |     | ns    |
| Chip Select to End of Write      | t <sub>CW</sub>               | 13  |     | 14  |     | 15  |     | 20  |     | 30  |     | ns    |
| Address Valid to End of Write    | t <sub>AW</sub>               | 13  |     | 14  |     | 15  |     | 20  |     | 30  |     | ns    |
| Data Valid to End of Write       | t <sub>DW</sub>               | 10  |     | 11  |     | 12  |     | 15  |     | 18  |     | ns    |
| Write Pulse Width                | t <sub>WP</sub>               | 13  |     | 14  |     | 15  |     | 20  |     | 30  |     | ns    |
| Address Setup Time               | t <sub>AS</sub>               | 0   |     | 0   |     | 0   |     | 0   |     | 0   |     | ns    |
| Address Hold Time                | t <sub>AH</sub>               | 0   |     | 0   |     | 0   |     | 0   |     | 0   |     | ns    |
| Output Active from End of Write  | t <sub>OW</sub> <sup>1</sup>  | 5   |     | 5   |     | 5   |     | 5   |     | 5   |     | ns    |
| Write Enable to Output in High Z | t <sub>WHZ</sub> <sup>1</sup> |     | 8   |     | 9   |     | 10  |     | 10  |     | 15  | ns    |
| Data Hold Time                   | t <sub>DH</sub>               | 0   |     | 0   |     | 0   |     | 0   |     | 0   |     | ns    |

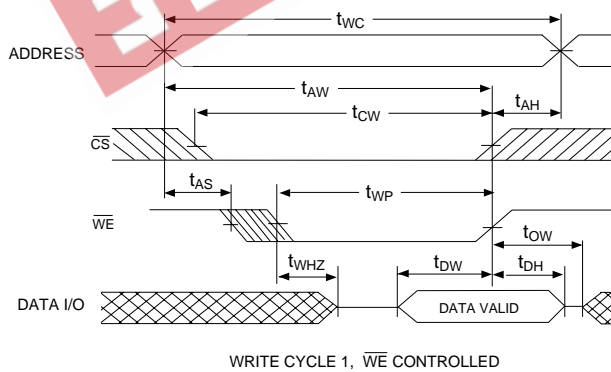
1. This parameter is guaranteed by design but not tested.



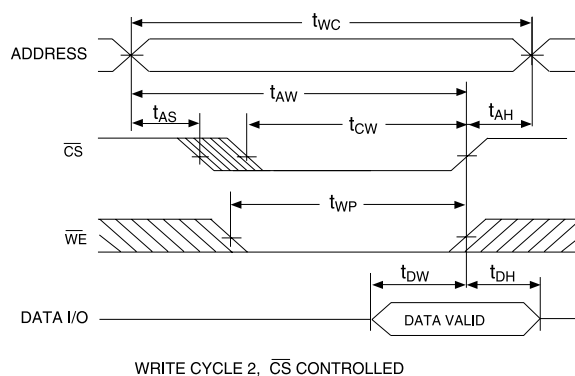
**TIMING WAVEFORM - READ CYCLE**



**WRITE CYCLE -  $\overline{WE}$  CONTROLLED**



**WRITE CYCLE -  $\overline{CS}$  CONTROLLED**



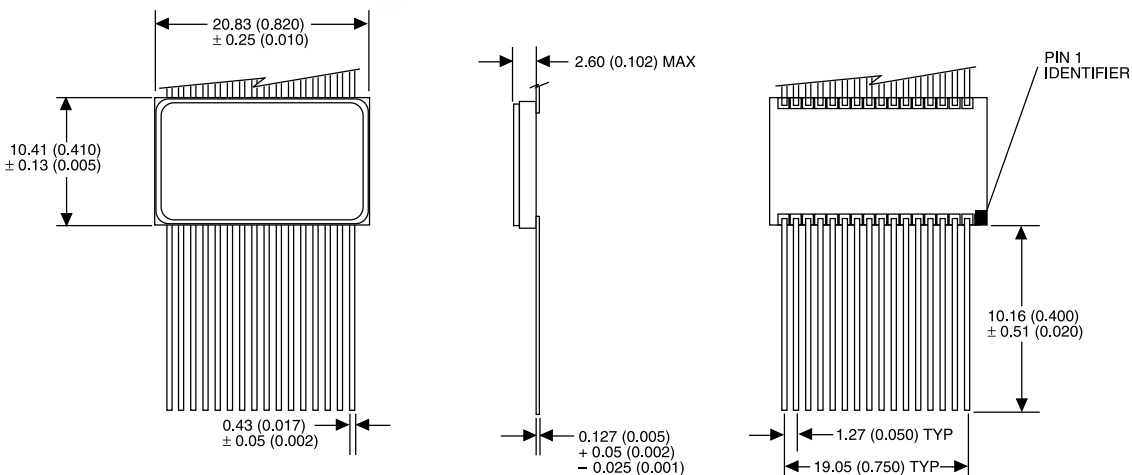


**PACKAGE 101: 32 LEAD, CERAMIC SOJ**



ALL LINEAR DIMENSIONS ARE MILLIMETERS AND PARENTHETICALLY IN INCHES

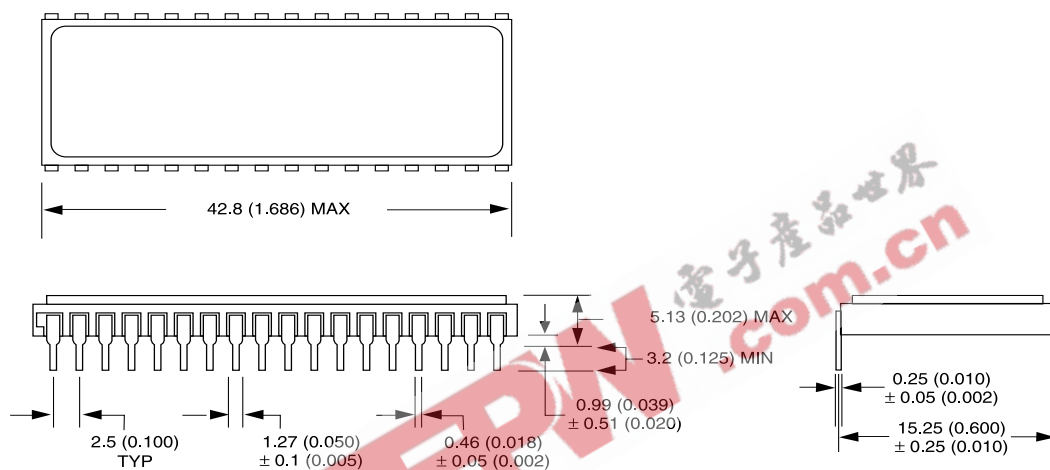
**PACKAGE 220: 32 LEAD, CERAMIC FLAT PACK**



ALL LINEAR DIMENSIONS ARE MILLIMETERS AND PARENTHETICALLY IN INCHES



**PACKAGE 300: 32 PIN, CERAMIC DIP, SINGLE CAVITY SIDE BRAZED**



ALL LINEAR DIMENSIONS ARE MILLIMETERS AND PARENTHETICALLY IN INCHES



**PACKAGE 601: 32 PIN, RECTANGULAR CERAMIC LEADLESS CHIP CARRIER**



ALL LINEAR DIMENSIONS ARE MILLIMETERS AND PARENTHETICALLY IN INCHES



**ORDERING INFORMATION**

W M S 128K8 V - XXX X X X

**LEAD FINISH:**

- Blank = Gold plated leads
- A = Solder dip leads

**DEVICE GRADE:**

- M = Military Screened -55°C to +125°C
- I = Industrial -40°C to +85°C
- C = Commercial 0°C to +70°C

**PACKAGE:**

- C = 32 Pin Ceramic .600" DIP (Package 300)
- CL = 32 Pin Rectangular Ceramic Leadless Chip Carrier (Package 601)
- DR = 32 Lead Ceramic SOJ (Package 101) Revolutionary
- FR = 32 Lead Ceramic Flat Pack (Package 220\*\*) Revolutionary

**ACCESS TIME (ns)**

**IMPROVEMENT MARK:**

- Low Voltage Supply 3.3V ± 10%

**ORGANIZATION, 128K x 8**

**SRAM**

**MONOLITHIC**

**WHITE ELECTRONIC DESIGNS CORP.**

\*\* Package under development.