

Distributor: Electro-Stock www.electrostock.com Tel: 630-682-1542 Fax: 630-682-1562

FEATURES:

- Low coil power consumption
- High Sensitivity
- Conforms to FCC part 68
- PC board mounting
- Small size, light weight

UL US **E197851**



12.5 x 7.5 x 10.0 mm

CONTACT DATA

| | |
|---------------------------|---|
| Contact Arrangement | 1A = SPST N.O. 1C = SPDT |
| Contact Rating | 0.5A @ 125VAC, Resistive, 100K Cycles 1A @ 30VDC, Resistive, 100K Cycles 0.3A @ 60VDC, Resistive, 100K Cycles |
| Contact Resistance | < 50 milliohms initial |
| Contact Material | Ag + Au |
| Maximum Switching Power | 30W |
| Maximum Switching Voltage | 125VAC, 60VDC |
| Maximum Switching Current | 2 Amps |

COIL DATA

| Coil Voltage VDC | | Coil Resistance $\Omega \pm 10\%$ | | Pick Up Voltage VDC (max) | Release Voltage VDC (min) | Coil Power W | Operate Time ms | Release Time ms |
|------------------|------|-----------------------------------|------|---------------------------|---------------------------|--------------|-----------------|-----------------|
| Rated | Max. | .15W | .20W | 75% of rated voltage | 10% of rated voltage | | | |
| 3 | 3.9 | 60 | 45 | 2.25 | 0.3 | .15 .20 | 4.5 | 1.5 |
| 5 | 6.5 | 167 | 125 | 3.75 | 0.5 | | | |
| 6 | 7.8 | 240 | 180 | 4.50 | 0.6 | | | |
| 9 | 11.7 | 540 | 405 | 6.75 | 0.9 | | | |
| 12 | 15.6 | 960 | 720 | 9.00 | 1.2 | | | |
| 24 | 31.2 | 3840 | 2880 | 18.00 | 2.4 | | | |

CAUTION:

1. The use of any coil voltage less than the rated coil voltage may compromise the operation of the relay.
2. Pickup and release voltages are for test purposes only and are not to be used as design criteria.

GENERAL DATA

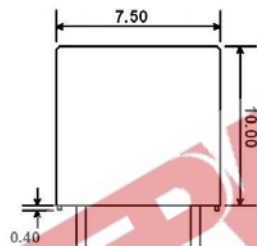
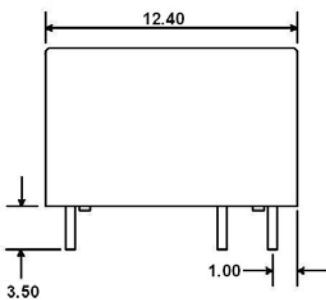
| | |
|--------------------------------------|-------------------------------------|
| Electrical Life @ rated load | 100K cycles, typical |
| Mechanical Life | 5M cycles, typical |
| Insulation Resistance | 100M Ω min @ 500VDC |
| Dielectric Strength, Coil to Contact | 1500V rms min. @ sea level |
| Contact to Contact | 1000V rms min. @ sea level |
| Shock Resistance | 100m/s ² for 11ms |
| Vibration Resistance | 3.30mm double amplitude 10-40Hz |
| Terminal (Copper Alloy) Strength | 5N |
| Operating Temperature | -40 °C to + 85 °C |
| Storage Temperature | -40 °C to + 155 °C |
| Solderability | 230 °C \pm 2 °C for 10 \pm 0.5s |
| Weight | 2.2g |

Distributor: [Electro-Stock www.electrostock.com](http://www.electrostock.com) Tel: 630-682-1542 Fax: 630-682-1562

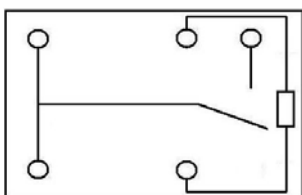
ORDERING INFORMATION

| | | | | | |
|--------------------------------|-------|----|-------|-----|---|
| 1. Series: | WJ103 | 1C | 12VDC | .20 | S |
| WJ103 | | | | | |
| 2. Contact Arrangement: | | | | | |
| 1A = SPST N.O. | | | | | |
| 1C = SPDT | | | | | |
| 3. Coil Voltage: | | | | | |
| 3VDC | | | | | |
| 5VDC | | | | | |
| 6VDC | | | | | |
| 9VDC | | | | | |
| 12VDC | | | | | |
| 24VDC | | | | | |
| 4. Coil Power: | | | | | |
| .15 = .15 W | | | | | |
| .20 = .20 W | | | | | |
| 5. Sealed: | | | | | |
| S = Sealed (standard) | | | | | |

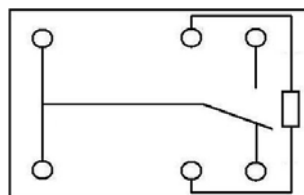
DIMENSIONS (Units = mm)



SCHEMATICS & PC LAYOUT (BOTTOM VIEWS)



1A



1C

