

10-15Watts Single Output Wallmount adapter WMA series



Feature:

- 90 to 264Vac universal input range.
- Meet UL/CUL ,TUV ,T-Mark.
- EMI/RFI meet VDE & FCC limit B.
- Low cost & compact size.
- International AC Plug available.
- 2 Year Warranty.

Specifications: typical at nominal line, full load at 25°C.

| Input Specifications: | General Specifications: |
|--|--|
| Input voltage: 90 to 264Vac | Efficiency: 65% typical at full load |
| Input Frequency: 47 Hz to 63Hz | Hold-up time: 10ms @ 115Vac full load |
| Input inrush current: 20A at 115Vac 40A at 230Vac | EMI/RFI: VDE & FCC Class B limits |
| Earth leakage: 0.2mA max @ 115Vac 0.4mA max @ 230Vac | Dielectric Withstand: Input/output: 3000Vac Input/Ground: 1500Vac |
| Output Specifications: | * Safety Meet: UL/CUL UL60950 TUV EN60950 T-Mark. |
| Output Rating: See Selection Table | |
| Output Voltage Accuracy : ± 5% max. | |
| Line Regulation: ± 1% max | Switching frequency: 50kHz |
| Load Regulation: ± 5% max. (Full to half load) | Weight: 170g |
| Transient Response: ± 1% max.dev. (Full to half load) 1mS recovery | MTBF: 100,000hours(MIL-HDBK-217F) |
| Temperature Coefficient: ± 0.04% / °C | Environmental Specifications: |
| Ripple & Noise: 2% P-P max. | Operating temperature: 0 to +40°C |
| Protections: a. Over current protection b. Over power protection c. Short circuit protection | Storage temperature: -20 to +85°C |
| | Humidity: 5 to 95 % RH non-condensing |
| | Vibration: 2.4G , 5 to 500Hz |
| | Cooling: Free air convection |

Note:

1. Vibration test: Three orthogonal axes, random vibration, 10 minutes for each axis.
 2. Maximum output power is 15W.
 3. Ripple & noise test method is measured at output terminal across a 0.1uF ceramic cap & a 10uF tantalum or electrolytic cap in parallel with a 20MHz bandwidth oscilloscope directly.
- * Please refer the safety approval status on appendix 1, For latest safety approval status Please consult YCL or visit" www.ycl.com.tw

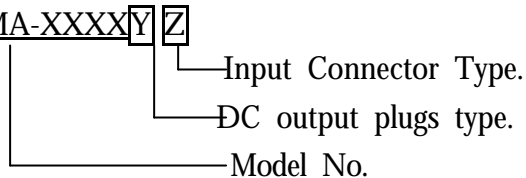
10-15Watts Single Output Wallmount adapter WMA series



Model Selection Table:

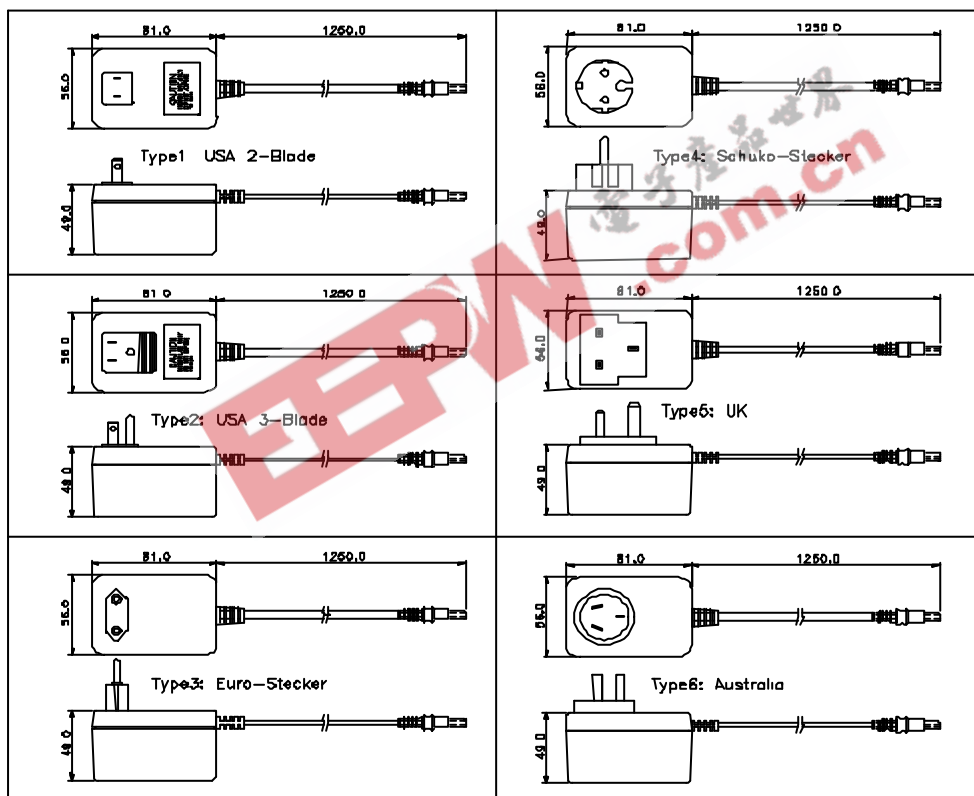
| Model No. | Output Voltage | Output Current Minimum | Output Current Maximum | Max. Power |
|-------------|----------------|------------------------|------------------------|------------|
| WMA-1201 YZ | 5V | 0mA | 2500mA | 12.5W |
| WMA-1005 YZ | 3.3V | 0mA | 3000mA | 10W |

□ Order information: WMA-XXXXY Z



□ Others output voltage or output cord versions are available. Please consult factory for details.

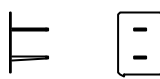
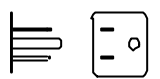
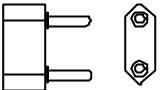
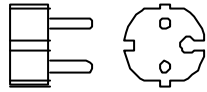
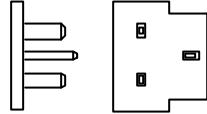
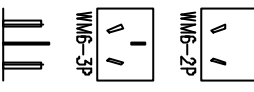
Dimensions: mm ± 1.0mm



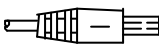
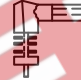
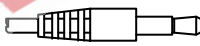
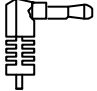

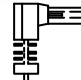
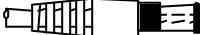
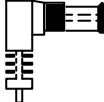
10-15Watts Single Output Wallmount adapter WMA series



AC INPUT PLUGS (CONNECTORS)

| | | |
|--|---|---|
| <p>1 : USA/JAPAN 2-Blade type.</p>  | <p>2 : USA 3-Blade type.</p>  | <p>3 : Euro-Stecker 2-Prong, 4.0mm Diameter</p>  |
| <p>4 : Schuko-Stecker, Option : 4.0 or 48 mm Diameter.</p>  | <p>5 : UK Type, 3-Blade, Option : Isolated or Non-Isolated.</p>  | <p>6 : Australia Type, Option : 2 or 3-Blade.</p>  |

DC OUTPUT PLUGS(CONNECTOR) SINGLE OUTPUT PLUG

| | | | |
|--|--|---|--|
| <p>A : Plug S-Female</p>  | <p>B : Plug L-Female</p>  | <p>C : Plug S-Male</p>  | <p>D : Plug S-Male</p>  |
| <p>E : Plug EIAJ RC-5320</p>  | <p>F : Plug L-EIAJ RC-5320</p>  | <p>G : Plug S-Female I shape</p>  | <p>H : Plug L-Female I shape</p>  |