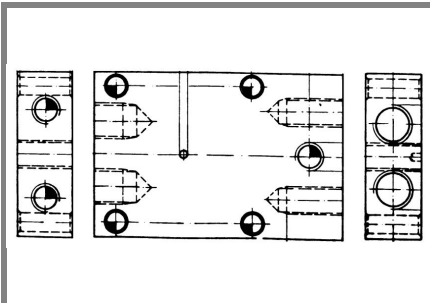


WK 31



Heatsinks

Standard lengths	n	b / d Ø mm	$R_{thcw} (H_2O)$		w kg
			$R_{th(case - cooling water)}$ K/W	$R_{thmw} (H_2O)$ $R_{th(thermal trip - cooling water)}$ K/W	
WK 31 + WK 32 $V_w/t: 2 \text{ l/min}$ $\Delta p: 45 \text{ mbar}$		19	0,150	0,015	1,44
		25	0,106	0,015	
		33	0,096	0,015	
WK 31 + WK 32 $V_w/t: 4 \text{ l/min}$ $\Delta p: 180 \text{ mbar}$		19	0,128	0,012	1,44
		25	0,084	0,012	
		33	0,066	0,012	

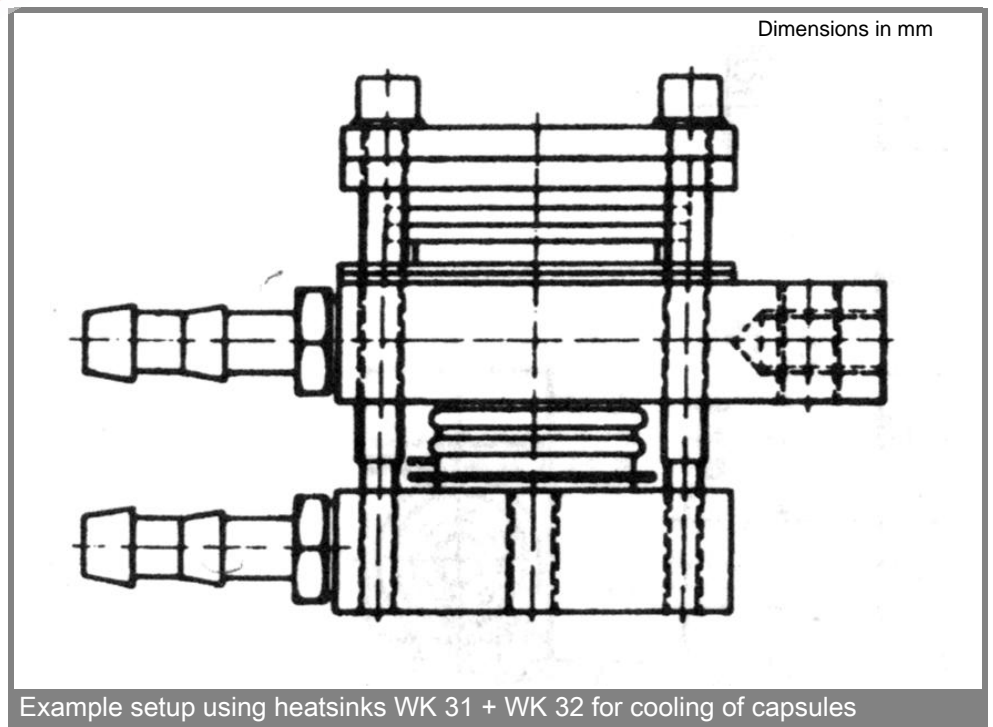
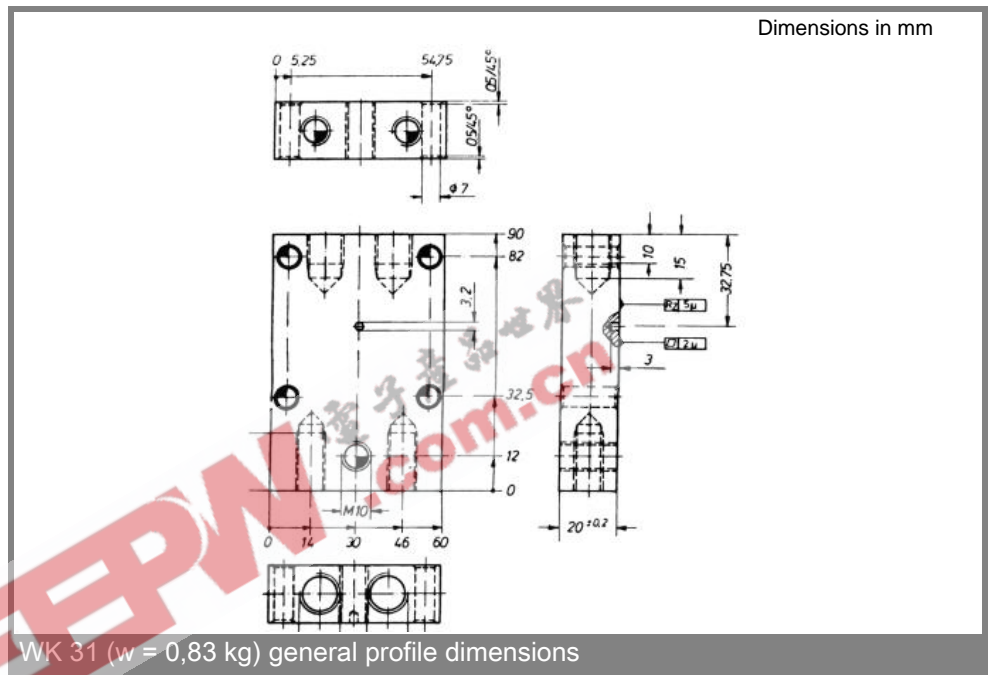
Liquid cooling for capsule devices

WK 31

Publish Data

Features

- Intended for capsule devices
- Designed for water/liquid cooling



EEPW 电子产品世界
.com.cn