

# 10-15Watts Single Output Wallmount adapter WMA series



## Feature:

- 90 to 264Vac universal input range.
- Meet UL/CUL ,TUV ,T-Mark.
- EMI/RFI meet VDE & FCC limit B.
- Low cost & compact size.
- International AC Plug available.
- 2 Year Warranty.

## Specifications: typical at nominal line, full load at 25°C.

Input Specifications:	General Specifications:
<b>Input voltage:</b> 90 to 264Vac	<b>Efficiency:</b> 65% typical at full load
<b>Input Frequency:</b> 47 Hz to 63Hz	<b>Hold-up time:</b> 10ms @ 115Vac full load
<b>Input inrush current:</b> 20A at 115Vac 40A at 230Vac	<b>EMI/RFI:</b> VDE & FCC Class B limits
<b>Earth leakage:</b> 0.2mA max @ 115Vac 0.4mA max @ 230Vac	<b>Dielectric Withstand:</b> Input/output: 3000Vac Input/Ground: 1500Vac
<b>Output Specifications:</b>	* <b>Safety Meet:</b> UL/CUL UL60950 TUV EN60950 T-Mark.
<b>Output Rating:</b> See Selection Table	
<b>Output Voltage Accuracy :</b> ± 5% max.	
<b>Line Regulation:</b> ± 1% max	<b>Switching frequency:</b> 50kHz
<b>Load Regulation:</b> ± 5% max. (Full to half load)	<b>Weight:</b> 170g
<b>Transient Response:</b> ± 1% max.dev. (Full to half load) 1mS recovery	<b>MTBF:</b> 100,000hours(MIL-HDBK-217F)
<b>Temperature Coefficient:</b> ± 0.04% / °C	<b>Environmental Specifications:</b>
<b>Ripple &amp; Noise:</b> 2% P-P max.	<b>Operating temperature:</b> 0 to +40°C
<b>Protections:</b> a. Over current protection b. Over power protection c. Short circuit protection	<b>Storage temperature:</b> -20 to +85°C
	<b>Humidity:</b> 5 to 95 % RH non-condensing
	<b>Vibration:</b> 2.4G , 5 to 500Hz
	<b>Cooling:</b> Free air convection

## Note:

1. Vibration test: Three orthogonal axes, random vibration, 10 minutes for each axis.
  2. Maximum output power is 15W.
  3. Ripple & noise test method is measured at output terminal across a 0.1uF ceramic cap & a 10uF tantalum or electrolytic cap in parallel with a 20MHz bandwidth oscilloscope directly.
- \* Please refer the safety approval status on appendix 1, For latest safety approval status Please consult YCL or visit" [www.ycl.com.tw](http://www.ycl.com.tw)

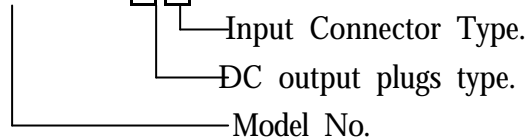
# 10-15Watts Single Output Wallmount adapter WMA series



## Model Selection Table:

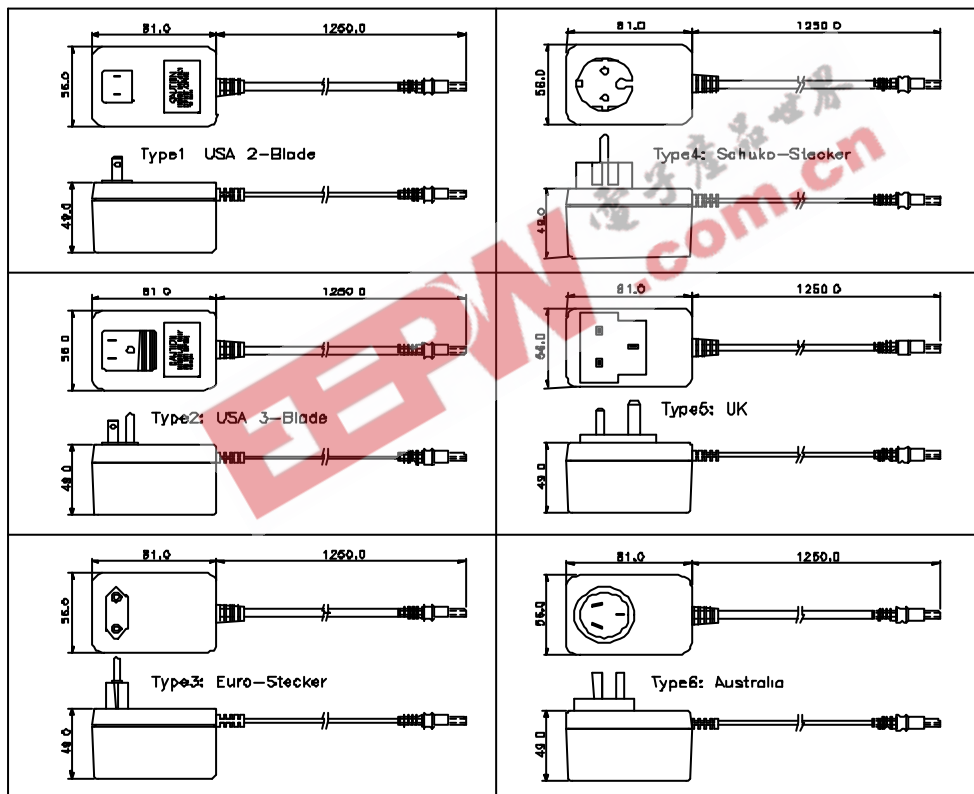
Model No.	Output Voltage	Output Current Minimum	Output Current Maximum	Max. Power
WMA-1201 YZ	5V	0mA	2500mA	12.5W
WMA-1005 YZ	3.3V	0mA	3000mA	10W

□ Order information: WMA-XXXXY Z



□ Others output voltage or output cord versions are available. Please consult factory for details.

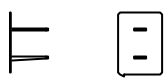

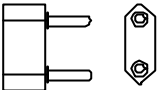
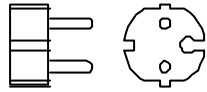
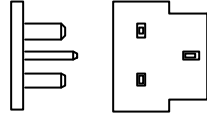
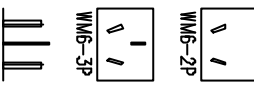
## Dimensions: mm ± 1.0mm



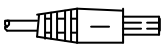
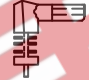
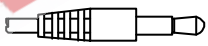
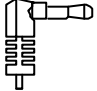
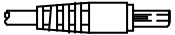
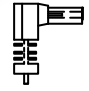
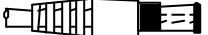
# 10-15Watts Single Output Wallmount adapter WMA series



## AC INPUT PLUGS (CONNECTORS)

<p>1 : USA/JAPAN 2-Blade type.</p> 	<p>2 : USA 3-Blade type.</p> 	<p>3 : Euro-Stecker 2-Prong, 4.0mm Diameter</p> 
<p>4 : Schuko-Stecker, Option : 4.0 or 4B mm Diameter.</p> 	<p>5 : UK Type, 3-Blade, Option : Isolated or Non-Isolated.</p> 	<p>6 : Australia Type, Option : 2 or 3-Blade.</p> 

## DC OUTPUT PLUGS(CONNECTOR) SINGLE OUTPUT PLUG

<p>A : Plug S-Female</p> 	<p>B : Plug L-Female</p> 	<p>C : Plug S-Male</p> 	<p>D : Plug S-Male</p> 
<p>E : Plug EIAJ RC-5320</p> 	<p>F : Plug L-EIAJ RC-5320</p> 	<p>G : Plug S-Female I shape</p> 	<p>H : Plug L-Female I shape</p> 