

## 99dB Stereo DAC

### DESCRIPTION

WM8725 is a high-performance stereo DAC designed for use in portable audio equipment, video CD players and similar applications. It comprises selectable normal or I<sup>2</sup>S compatible serial data interfaces for 16 to 24-bit digital inputs, high performance digital filters, and sigma-delta output DACs, achieving an excellent 99dB signal-to-noise performance.

The device is available in a 14-pin SOIC package that offers selectable mute and de-emphasis functions using a minimum of external components.

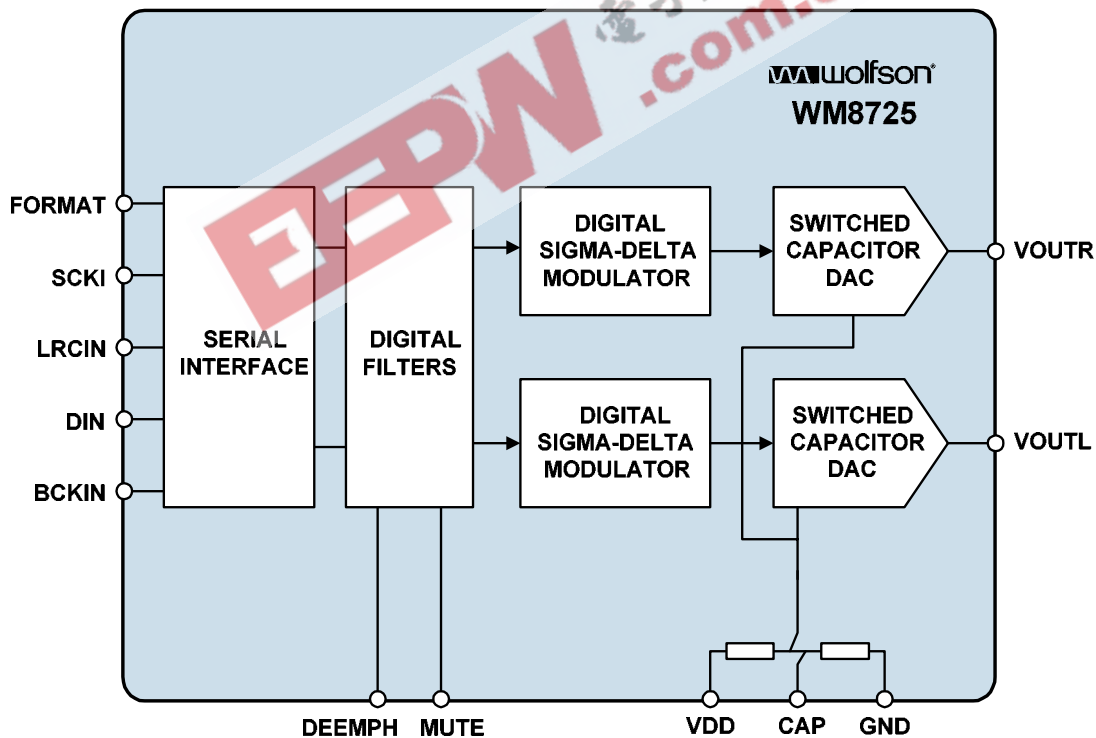
### FEATURES

- 99dB SNR performance
- Stereo DAC with input sampling from 8kHz to 96kHz
- Additional mute feature
- Normal or I<sup>2</sup>S compatible data format
- Sigma-delta design with 64x oversampling
- System clock 256fs or 384fs
- Supply range 3V to 5V
- 14-pin SOIC package

### APPLICATIONS

- Portable audio equipment
- Video CD players

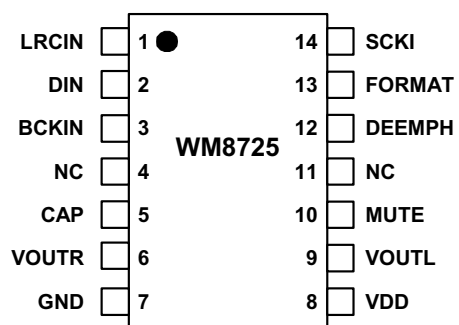
### BLOCK DIAGRAM



## TABLE OF CONTENTS

<b>DESCRIPTION</b> .....	<b>1</b>
<b>FEATURES</b> .....	<b>1</b>
<b>APPLICATIONS</b> .....	<b>1</b>
<b>BLOCK DIAGRAM</b> .....	<b>1</b>
<b>TABLE OF CONTENTS</b> .....	<b>2</b>
<b>PIN CONFIGURATION</b> .....	<b>3</b>
<b>ORDERING INFORMATION</b> .....	<b>3</b>
<b>ABSOLUTE MAXIMUM RATINGS</b> .....	<b>4</b>
<b>RECOMMENDED OPERATING CONDITIONS</b> .....	<b>4</b>
<b>ELECTRICAL CHARACTERISTICS</b> .....	<b>5</b>
<b>PIN DESCRIPTION</b> .....	<b>6</b>
<b>DEVICE DESCRIPTION</b> .....	<b>7</b>
INTRODUCTION .....	7
DAC CIRCUITS .....	7
SERIAL DATA INTERFACE .....	8
SYSTEM CLOCK .....	9
<b>RECOMMENDED EXTERNAL COMPONENTS</b> .....	<b>10</b>
DETAIL OF RECOMMENDED EXTERNAL COMPONENTS SHOWING THE EXTERNAL	
LOW PASS FILTER .....	10
PCB LAYOUT .....	10
<b>PACKAGE DIMENSIONS</b> .....	<b>11</b>
<b>IMPORTANT NOTICE</b> .....	<b>12</b>
ADDRESS:.....	12

## PIN CONFIGURATION



## ORDERING INFORMATION

DEVICE	TEMPERATURE RANGE	PACKAGE	MOISTURE SENSITIVITY LEVEL	PEAK BODY TEMPERATURE
WM8725ED	-25°C to +85°C	14-pin SOIC	MSL1	240°C
WM8725ED/R	-25°C to +85°C	14-pin SOIC (tape and reel)	MSL1	240°C
WM8725GED/V	-25°C to +85°C	14-pin SOIC (lead free)	MSL2	260°C
WM8725GED/RV	-25°C to +85°C	14-pin SOIC (lead free tape and reel)	MSL2	260°C

**Note:**

Reel quantity: 3,000

## ABSOLUTE MAXIMUM RATINGS

Absolute Maximum Ratings are stress ratings only. Permanent damage to the device may be caused by continuously operating at or beyond these limits. Device functional operating limits and guaranteed performance specifications are given under Electrical Characteristics at the test conditions specified.



ESD Sensitive Device. This device is manufactured on a CMOS process. It is therefore generically susceptible to damage from excessive static voltages. Proper ESD precautions must be taken during handling and storage of this device.

Wolfson tests its package types according to IPC/JEDEC J-STD-020B for Moisture Sensitivity to determine acceptable storage conditions prior to surface mount assembly. These levels are:

MSL1 = unlimited floor life at <30°C / 85% Relative Humidity. Not normally stored in moisture barrier bag.

MSL2 = out of bag storage for 1 year at <30°C / 60% Relative Humidity. Supplied in moisture barrier bag.

MSL3 = out of bag storage for 168 hours at <30°C / 60% Relative Humidity. Supplied in moisture barrier bag.

The Moisture Sensitivity Level for each package type is specified in Ordering Information.

CONDITION	MIN	MAX
Supply voltage	-0.3V	+7.0V
Reference input		VCC+0.3V
Operating temperature range, T <sub>A</sub>	-25°C	+85°C
Storage temperature	-65°C	+150°C
Lead temperature (soldering, 10 seconds)		+240°C
Lead temperature (soldering, 2 minutes)		+183°C

## RECOMMENDED OPERATING CONDITIONS

PARAMETER	SYMBOL	TEST CONDITIONS	MIN	TYP	MAX	UNIT
Supply Range	VDD		-10%	3.0 to 5.0	+10%	V
Ground	GND			0		V
Supply Current		VDD = 5V		15	25	mA
		VDD = 3V		7.5		mA

## ELECTRICAL CHARACTERISTICS

## Test Conditions

$V_{DD} = 5V$ ,  $GND = 0V$ ,  $T_A = +25^{\circ}C$ ,  $f_s = 48kHz$ ,  $SCKI = 256fs$  unless otherwise stated.

PARAMETER	SYMBOL	TEST CONDITIONS	MIN	TYP	MAX	UNIT
<b>Digital Logic Levels</b>						
Input LOW level	$V_{IL}$				0.8	V
Input HIGH level	$V_{IH}$		2.0			V
<b>Analogue Output Levels</b>						
Load Resistance		To midrail or AC coupled (5V supply)	1			k $\Omega$
		To midrail or AC coupled (3V supply)	1			k $\Omega$
Maximum capacitance load		5V or 3V		100		pF
Output DC level				$V_{DD}/2$		V
<b>Reference Levels</b>						
Potential divider resistance		$V_{DD}$ to CAP and CAP to GND	80	100	120	k $\Omega$
Voltage at CAP		VDD = 5V	2.3	2.5	2.7	V
<b>DAC Circuit Specifications</b>						
SNR (Note 1)		VDD = 5V	90	99		dB
		VDD = 3V		97		dB
Full scale output voltage		Into 10kohm VDD = 5V, 0dB	0.9	1.0	1.1	$V_{RMS}$
		Into 10kohm VDD = 3V, 0dB		0.6		$V_{RMS}$
THD (Full scale)		0dB		0.01	0.02	%
THD+N (Dynamic range)		-60dB		92		dB
Frequency response			0		20,000	Hz
Transition band			20,000			Hz
Out of band rejection				-40		dB
Channel Separation				90		dB
Gain mismatch channel-to-channel				$\pm 1$	$\pm 5$	%FSR
<b>Audio Data Input and System Clock Timing Information</b>						
BCKIN pulse cycle time	$t_{BCY}$		100			ns
BCKIN pulse width high	$t_{BCH}$		50			ns
BCKIN pulse width low	$t_{BCL}$		50			ns
BCKIN rising edge to LRCIN edge	$t_{BL}$		30			ns
LRCIN rising edge to BCKIN rising edge	$t_{LB}$		30			ns
DIN setup time	$t_{DS}$		30			ns
DIN hold time	$t_{DH}$		30			ns
System clock pulse width high	$t_{SCKIH}$		13			ns
System clock pulse width low	$t_{SCKIL}$		13			ns

## Notes:

- Ratio of output level with 1kHz full scale input, to the output level with all zeros into the digital input, measured "A" weighted over a 20Hz to 20kHz bandwidth.
- All performance measurements done with 20kHz low pass filter. Failure to use such a filter will result in higher THD+N and lower SNR and Dynamic Range readings than are found in the Electrical Characteristics. The low pass filter removes out of band noise; although it is not audible, it may affect dynamic specification values.

## PIN DESCRIPTION

PIN	NAME	TYPE	DESCRIPTION
1	LRCIN	Digital input	Sample rate clock input
2	DIN	Digital input	Serial data input
3	BCKIN	Digital input	Bit clock input
4	NC	No connect	No internal connection
5	CAP	Analogue output	Analogue internal reference
6	VOUTR	Analogue output	Right channel DAC output
7	GND	Supply	0V supply
8	VDD	Supply	Positive supply
9	VOUTL	Analogue output	Left channel DAC output
10	MUTE	Digital input	Mute control, high = muted. Internal pull-down
11	NC	No connect	No internal connection
12	DEEMPH	Digital input	De-emphasis select, high = de-emphasis ON. Internal pull-up
13	FORMAT	Digital input	Data input format select, low = normal, high = I <sup>2</sup> S. Internal pull-up
14	SCKI	Digital input	System clock input (256fs or 384fs)

EEPW 电子产品世界  
.com.cn

## DEVICE DESCRIPTION

### INTRODUCTION

WM8725 is a complete stereo audio 16-24 bit digital-to-analogue converter, including digital interpolation filter, multibit sigma-delta with dither, and switched capacitor multibit stereo DAC and output smoothing filters.

Special functions of mute and de-emphasis are provided, and operation using system clock of 256fs or 384fs is provided, selection between either clock rate being automatically controlled. Sample rates (fs) from less than 8ks/s to 96ks/s are allowed, provided the appropriate system clock is input.

MUTE	DESCRIPTION
0	Mute is OFF
1	Mute is ON

**Table 1 Mute Control**

A novel multi bit sigma-delta DAC design is used, utilising a 64x oversampling rate, to optimise signal to noise performance and offer increased clock jitter tolerance.

Internally generated midrail references are used to DC bias output signals, requiring only a single external capacitor for decoupling purposes.

Single 3V to 5V supplies may be used, the output amplitude scaling with absolute supply level. Low supply voltage operation and low current consumption, and the low pin count small package, make the WM8725 attractive for many consumer type applications.

### DAC CIRCUITS

The WM8725 DACs are designed to allow playback of 16-bit PCM audio or similar data with high resolution and low noise and distortion. Sample rates up to 96ks/s may be used, with much lower sample rates acceptable provided that the ratio of sample rate (LRCIN) to system clock is maintained at the required 256fs or 384fs times.

The DACs on WM8725 are implemented using sigma-delta oversampled conversion techniques. These require that the PCM samples are digitally filtered and interpolated to generate a set of samples at a much higher rate than the 96ks/s input rate. This sample stream is then digitally modulated to generate a digital pulse stream that is then converted to analogue signals in a switched capacitor DAC. The advantage of this technique is that the DAC is linearised using noise shaping techniques, allowing the full performance to be met using non-critical analogue components. A further advantage is that the high sample rate at the DAC output means that smoothing filters on the output of the DAC need only have fairly crude characteristics in order to remove the characteristic steps, or images, on the output of the DAC. To ensure that generation of tones characteristic to sigma-delta converters is not a problem, dithering is used in the digital modulator and a higher order modulator is used. The switched capacitor technique used in the DAC reduces sensitivity to clock jitter compared to switched current techniques used in other implementations.

De-emphasis of 44.1kHz signals may be applied if required.

DEEMPH	DESCRIPTION
0	De-emphasis is OFF
1	De-emphasis is ON

**Table 2 De-emphasis Control**

The voltage on the CAP pin is used as the reference for the DACs, therefore the amplitude of the signals at the DAC outputs will scale with the amplitude of the voltage at the CAP. An external reference could be used to drive into the CAP pin if desired, but a value typically of about midrail should be used for optimum performance.

The outputs of the 2 DACs are buffered out of the device by buffer amplifiers. These amplifiers will source load current of several mA and sink current up to 1.5mA, so allowing significant loads to be driven. The output source is active and the sink is Class A, i.e. fixed value, so greater loads might be driven if an external 'pull-down' resistor is connected at the output.

Typically an external low pass filter circuit will be used to remove residual sampling noise of the 64x oversampling used and if desired adjust the signal amplitude and device strength.

### SERIAL DATA INTERFACE

WM8725 has serial interface formats that are fully compatible with both normal (MSB first, right-justified) and I<sup>2</sup>S interfaces. The data format is selected with the FORMAT pin. When FORMAT is LOW, normal data format is selected. When the format is HIGH, I<sup>2</sup>S format is selected. It must be noted that in "packed" mode operation (exactly 32 BCLKs per LRCIN period), the data word must align exactly with LRCIN clock edges (effectively both left and right justified at the same time). This is true in both normal and I<sup>2</sup>S modes.

FORMAT	DESCRIPTION
0	Normal format (MSB-first, right justified)
1	I <sup>2</sup> S format (Philips serial data protocol)

Table 3 Serial Interface Formats

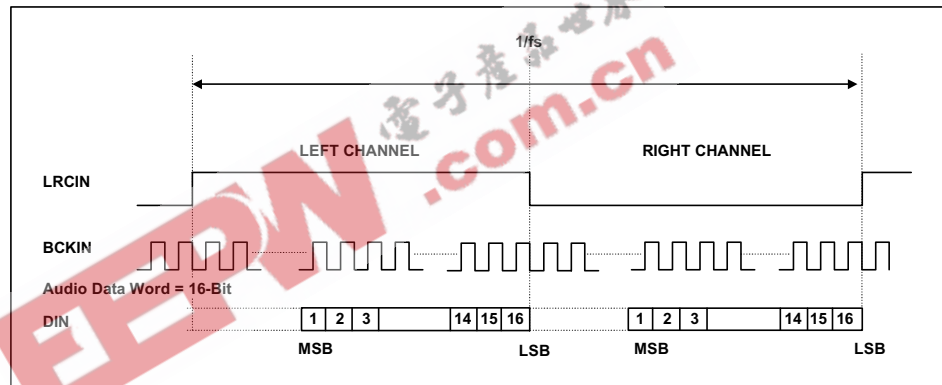


Figure 1 'Normal' Data Input Timing

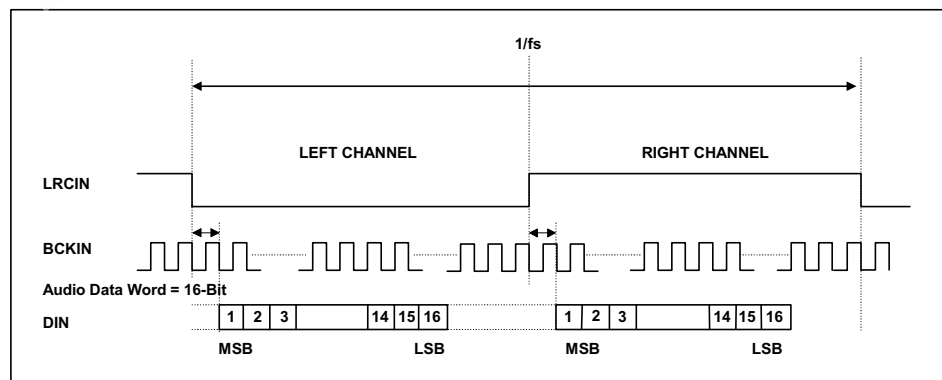


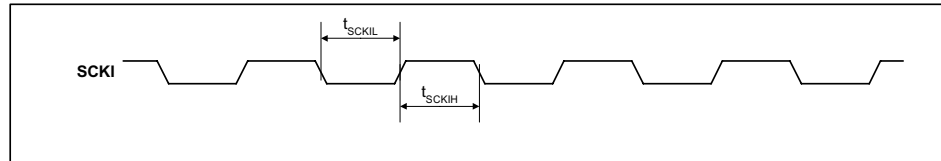
Figure 2 I<sup>2</sup>S Data Input Timing



**SYSTEM CLOCK**

The system clock is used to operate the digital filters and the noise shaping circuits. The system clock input is at pin 14 (SCKI). The frequency of WM8725's system clock should be set to 256fs or 384fs, (where fs is the audio sampling frequency). The sample rate is typically: 32 kHz, 44.1 kHz, 48 kHz or 96kHz.

WM8725 has a system clock detection circuit that automatically determines whether the system clock being supplied is at 256fs or 384fs. The system clock should be synchronised with LRCIN, but WM8725 is tolerant of phase differences. Severe distortion in the phase difference between LRCIN and the system clock will be detected, and cause the device to automatically resynchronise. During resynchronisation, the output of the device will either repeat the previous sample, or drop the next sample, depending on the nature of the phase slip. This will ensure minimal "click" at the analogue outputs during resynchronisation.



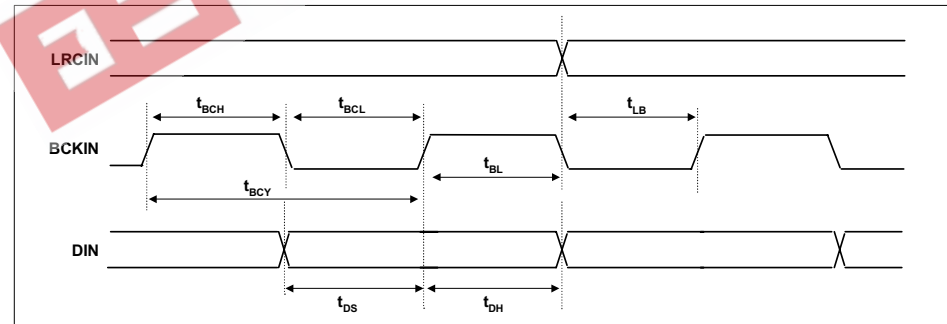
**Figure 3 System Clock Timing Requirements**

SAMPLING RATE (LRCIN)	SYSTEM CLOCK FREQUENCY (MHz)	
	256fs	384fs
32 kHz	8.192	12.288
44.1 kHz	11.2896	16.9340
48 kHz	12.288	18.432
96kHz	24.576 <sup>1</sup>	36.864 <sup>1</sup>

**Table 4 System Clock Frequencies Versus Sampling Rate**

**Notes:**

1. 96kHz sample rate at either 256fs or 384fs are only supported with 5V supplies.



**Figure 4 Audio Data Input Timing**

## RECOMMENDED EXTERNAL COMPONENTS

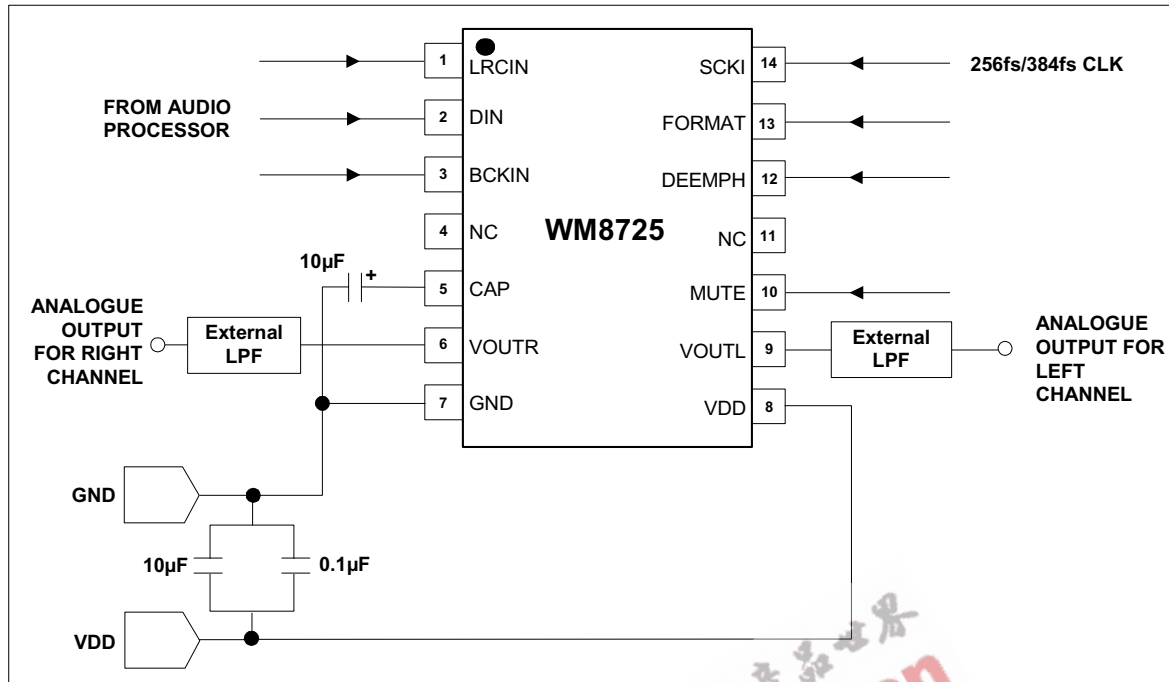


Figure 5 Recommended External Components

## DETAIL OF RECOMMENDED EXTERNAL COMPONENTS SHOWING THE EXTERNAL LOW PASS FILTER

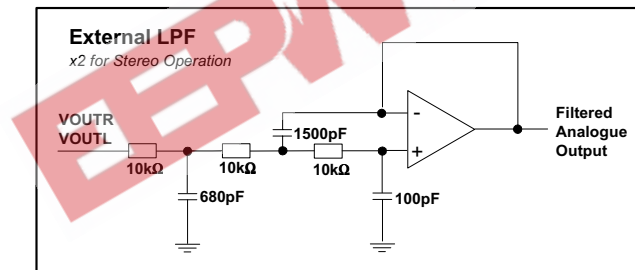


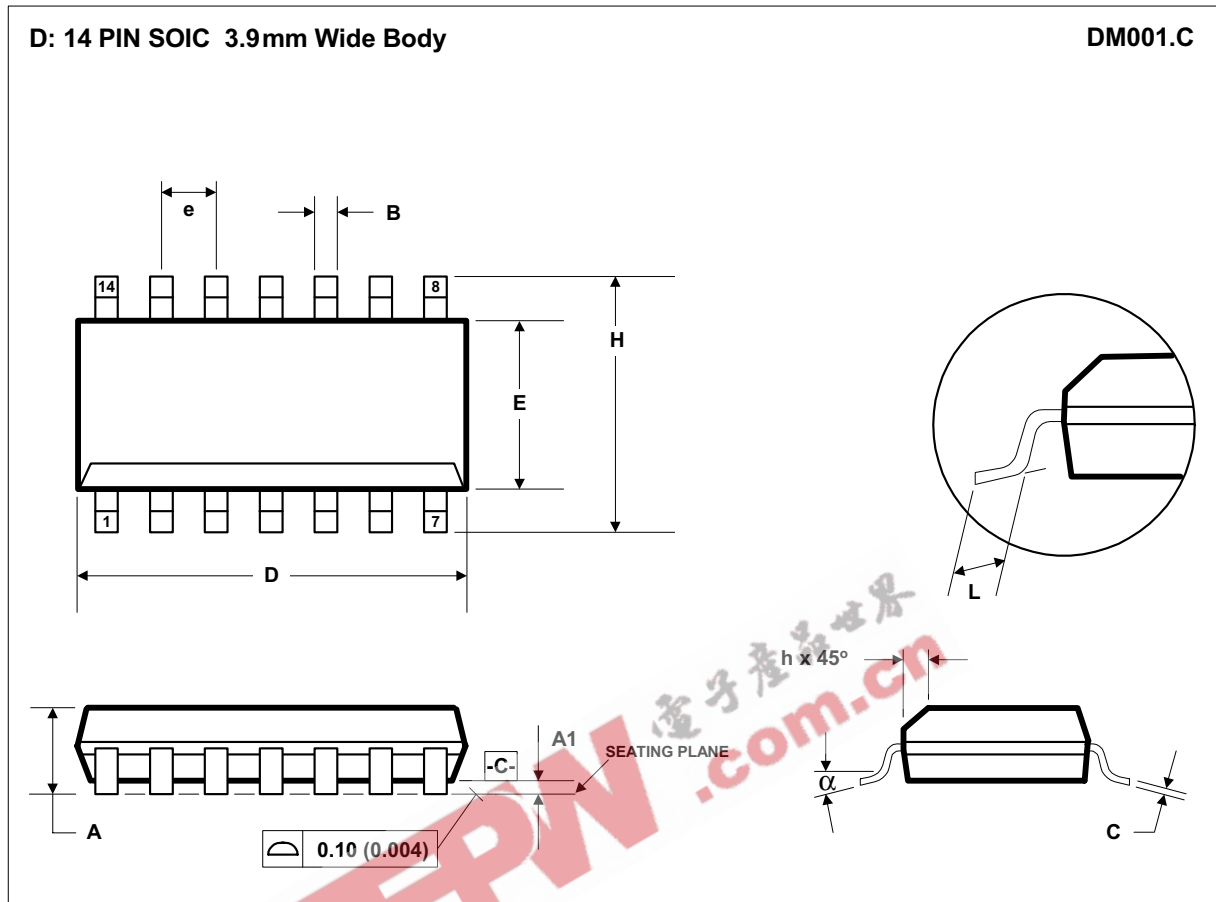
Figure 6 Third-Order Low Pass Filter (LPF) Example

An external low pass filter is recommended (see Figure 6) if the device is driving a wideband amplifier. In some applications, second-order or passive RC filter may be adequate.

## PCB LAYOUT

1. Place all supply decoupling capacitors as close as possible to their respective supply pins and provide a low impedance path from the capacitors to the appropriate ground.
2. Separate analogue and digital ground planes should be situated under respective analogue and digital device pins.
3. Avoid noise on the CAP reference pin. The decoupling capacitor should be placed as close to this pin as possible with a low impedance path from the capacitor to analogue ground.
4. Digital input signals should be screened from each other and from other sources of noise to avoid cross-talk and interference. They should also run over the digital ground plane to avoid introducing unwanted noise into the analogue ground plane.
5. Analogue output signal tracks should be kept as short as possible and over the analogue ground plane reducing the possibility of losing signal quality.

PACKAGE DIMENSIONS



Symbols	Dimensions (MM)		Dimensions (Inches)	
	MIN	MAX	MIN	MAX
<b>A</b>	1.35	1.75	0.0532	0.0688
<b>A1</b>	0.10	0.25	0.0040	0.0098
<b>B</b>	0.33	0.51	0.0130	0.0200
<b>C</b>	0.19	0.25	0.0075	0.0098
<b>D</b>	8.55	8.75	0.3367	0.3444
<b>E</b>	3.80	4.00	0.1497	0.1574
<b>e</b>	1.27 BSC		0.05 BSC	
<b>H</b>	5.80	6.20	0.2284	0.2440
<b>h</b>	0.25	0.50	0.0099	0.0196
<b>L</b>	0.40	1.27	0.0160	0.0500
$\alpha$	0°	8°	0°	8°
<b>REF:</b>	JEDEC.95, MS-012			

- NOTES:  
 A. ALL LINEAR DIMENSIONS ARE IN MILLIMETERS (INCHES).  
 B. THIS DRAWING IS SUBJECT TO CHANGE WITHOUT NOTICE.  
 C. BODY DIMENSIONS DO NOT INCLUDE MOLD FLASH OR PROTRUSION, NOT TO EXCEED 0.25MM (0.010IN).  
 D. MEETS JEDEC.95 MS-012, VARIATION = AB. REFER TO THIS SPECIFICATION FOR FURTHER DETAILS.

## IMPORTANT NOTICE

Wolfson Microelectronics plc (WM) reserve the right to make changes to their products or to discontinue any product or service without notice, and advise customers to obtain the latest version of relevant information to verify, before placing orders, that information being relied on is current. All products are sold subject to the WM terms and conditions of sale supplied at the time of order acknowledgement, including those pertaining to warranty, patent infringement, and limitation of liability.

WM warrants performance of its products to the specifications applicable at the time of sale in accordance with WM's standard warranty. Testing and other quality control techniques are utilised to the extent WM deems necessary to support this warranty. Specific testing of all parameters of each device is not necessarily performed, except those mandated by government requirements.

In order to minimise risks associated with customer applications, adequate design and operating safeguards must be used by the customer to minimise inherent or procedural hazards. Wolfson products are not authorised for use as critical components in life support devices or systems without the express written approval of an officer of the company. Life support devices or systems are devices or systems that are intended for surgical implant into the body, or support or sustain life, and whose failure to perform when properly used in accordance with instructions for use provided, can be reasonably expected to result in a significant injury to the user. A critical component is any component of a life support device or system whose failure to perform can be reasonably expected to cause the failure of the life support device or system, or to affect its safety or effectiveness.

WM assumes no liability for applications assistance or customer product design. WM does not warrant or represent that any license, either express or implied, is granted under any patent right, copyright, mask work right, or other intellectual property right of WM covering or relating to any combination, machine, or process in which such products or services might be or are used. WM's publication of information regarding any third party's products or services does not constitute WM's approval, license, warranty or endorsement thereof.

Reproduction of information from the WM web site or datasheets is permissible only if reproduction is without alteration and is accompanied by all associated warranties, conditions, limitations and notices. Representation or reproduction of this information with alteration voids all warranties provided for an associated WM product or service, is an unfair and deceptive business practice, and WM is not responsible nor liable for any such use.

Resale of WM's products or services with statements different from or beyond the parameters stated by WM for that product or service voids all express and any implied warranties for the associated WM product or service, is an unfair and deceptive business practice, and WM is not responsible nor liable for any such use.

### ADDRESS:

Wolfson Microelectronics plc  
Westfield House  
26 Westfield Road  
Edinburgh  
EH11 2QB  
United Kingdom

Tel :: +44 (0)131 272 7000

Fax :: +44 (0)131 272 7001

Email :: [sales@wolfsonmicro.com](mailto:sales@wolfsonmicro.com)