

Heatsinks

Liquid cooling for capsule devices

WK 31

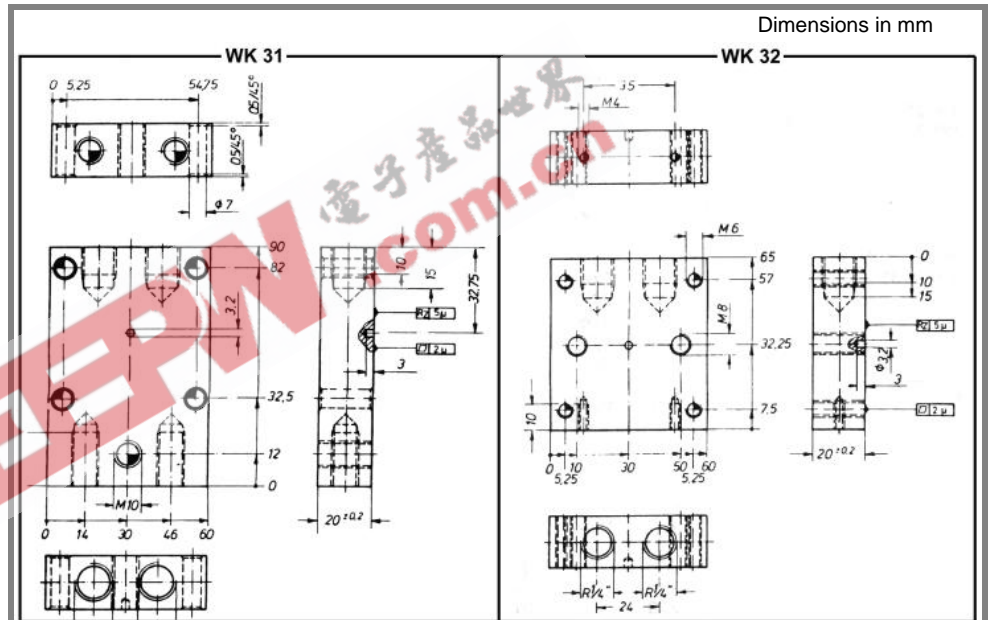
WK 32

WK 33

Features

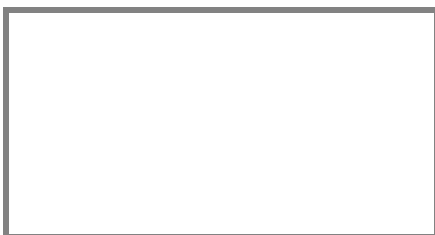
- Intended for capsule devices
- Designed for water/liquid cooling

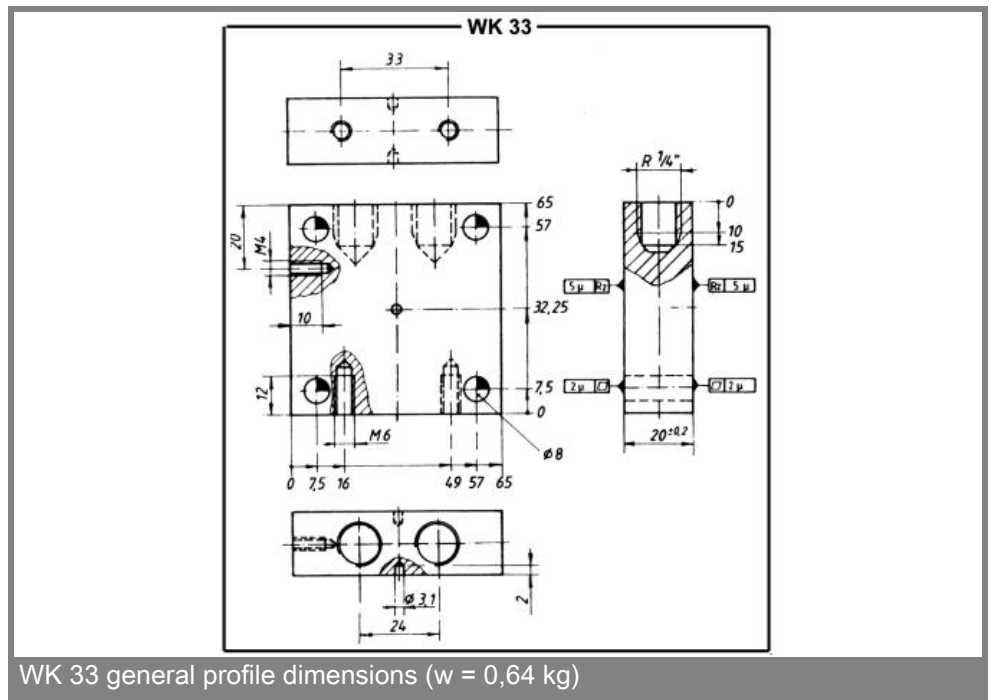
Standard lengths	n	b / d Ø mm	R_{thcw} (H ₂ O: V _W /t; Δp)	R_{thmw} (H ₂ O: V _W /t; Δp)	w kg
			R_{th} (case - cooling water) K/W	R_{th} (thermal trip - cooling water) K/W	
WK 31+WK 32		19	0,150 (2 l/min;45 mbar)	0,015 (2 l/min;45 mbar)	1,44
		25	0,106 (2 l/min;45 mbar)	0,015 (2 l/min;45 mbar)	
		33	0,096 (2 l/min;45 mbar)	0,015 (2 l/min;45 mbar)	
WK 31+WK 32		19	0,128 (4 l/min;180 mbar)	0,012 (4 l/min;180 mbar)	1,44
		25	0,084 (4 l/min;180 mbar)	0,012 (4 l/min;180 mbar)	
		33	0,066 (4 l/min;180 mbar)	0,012 (4 l/min;180 mbar)	
WK 33		2x 19	0,134 (4 l/min; 45 mbar)	0,012 (4 l/min;180 mbar)	0,64
		2x 25	0,105 (4 l/min; 45 mbar)		



WK 31 (w = 0,83 kg) / WK 32 (w = 0,61 kg) general profile dimensions

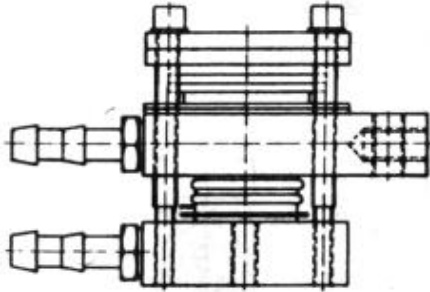
Dimensions in mm



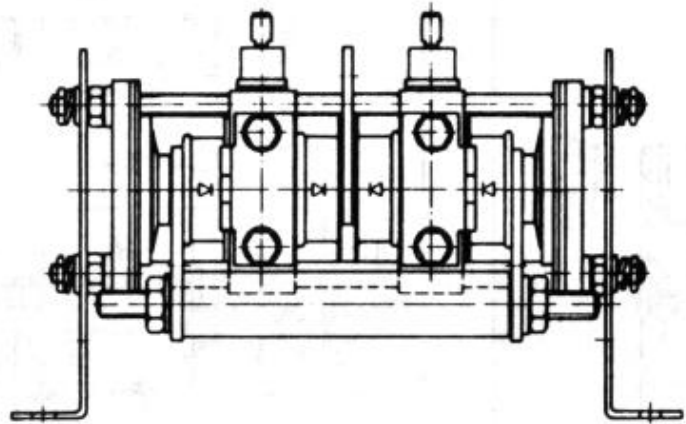


EEPW.com.cn 电子产品世界

WK 31 + WK 32



2 x WK 33



1. Example setups using combinations of heatsinks WK 31, WK 32, WK 33 for cooling of capsule devices

电子产品世界
EEPW.com.cn