

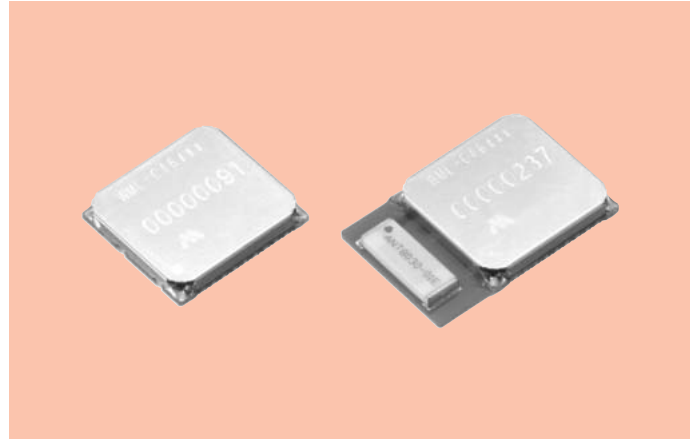
Bluetooth® Module WML-C46 Class 2

Telecommunication component

OUTLINE

This is a wireless communications module that conforms to Bluetooth® Ver.2.0+EDR. Applications include headsets, digital cameras, PC peripheral devices, PDA, etc.

*The Bluetooth® word mark and logos are owned by the Bluetooth SIG, Inc.



FEATURES

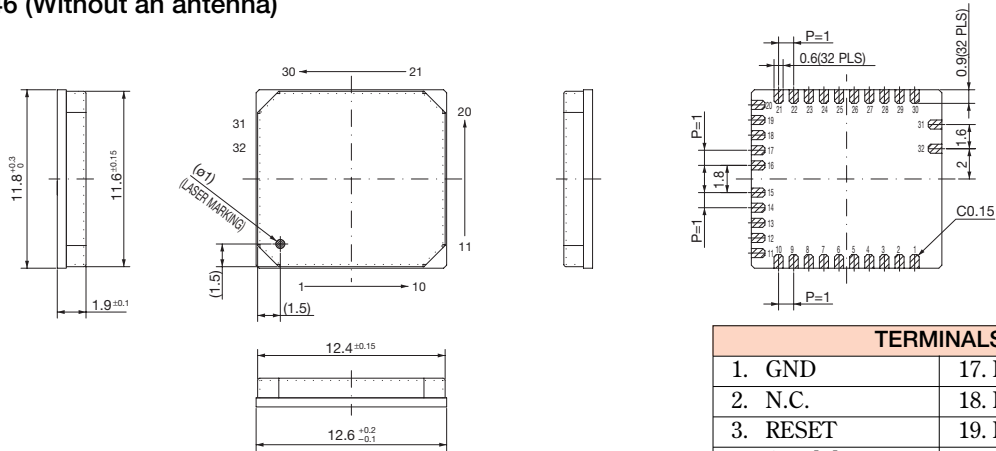
1. Equipped with multiple programmable I/O pins to meet various application needs.
2. RFCOMM Stack enables mounting of Headset Profile, Serial Port Profile, etc.
3. Ultra-small size and thinness achieved through use of high density mounting technology.
4. UART and PCM interfaces allow realization of a wide variety of applications.
5. 8Mbits of Flash-ROM allow realization of a wide variety of applications.
6. Conforms to EMI standards worldwide, including FCC and CE.
7. Supports Bluetooth® Class 2.
8. Operating temperature range: -40~+85°C.

SPECIFICATIONS

Item		Specifications
Frequency		2402 ~ 2480MHz
Modulation		FHSS/GFSK, $\pi/4$ DPSK, 8 DPSK
Channel intervals		1MHz
Number of channels		79CH
Power supply voltage		2.8V~3.4V
Current consumption		50mA typ.
Transmission rate		2178kbps
Receive sensitivity		-82dBm typ.
Output level(Class2)		+4dBm max.
Dimensions	Without an antenna	11.8(W)×12.6(L)×1.9(H)mm
	With an antenna	11.8(W)×17.6(L)×1.9(H)mm

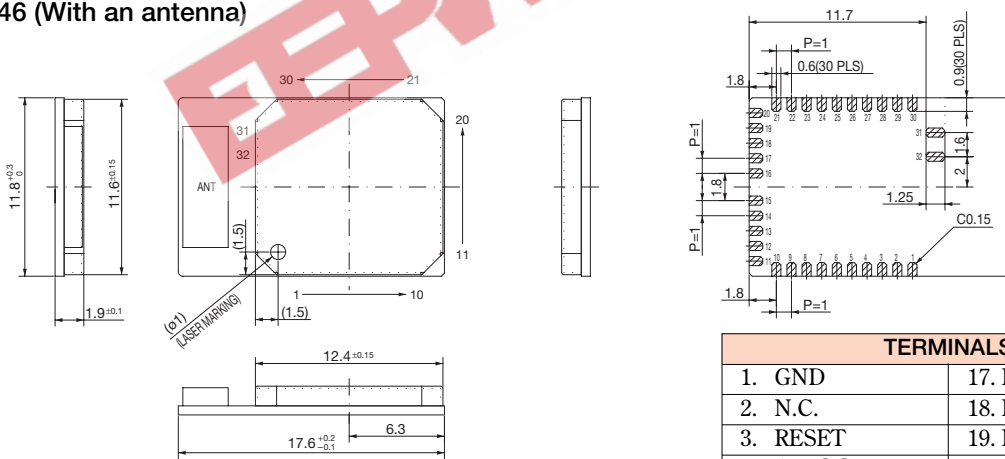
DIMENSIONS

● WML-C46 (Without an antenna)



TERMINALS	
1. GND	17. PCM_SYNC
2. N.C.	18. PCM_OUT
3. RESET	19. N.C.
4. AIO [1]	20. GND
5. SPI_MISO	21. AIO [0]
6. SPI_CSB	22. PIO [9]
7. PCM_CLK	23. PIO [2]
8. SPI_MOSI	24. PIO [5]
9. VDD	25. PIO [6]
10. GND	26. PIO [3]
11. UART_CTS	27. PIO [8]
12. UART_RTS	28. PIO [4]
13. UART_TX	29. PIO [7]
14. UART_RX	30. GND
15. PCM_CLK	31. ANT
16. PCM_IN	32. GND

● WML-C46 (With an antenna)



TERMINALS	
1. GND	17. PCM_SYNC
2. N.C.	18. PCM_OUT
3. RESET	19. N.C.
4. AIO [1]	20. GND
5. SPI_MISO	21. AIO [0]
6. SPI_CSB	22. PIO [9]
7. SPI_CLK	23. PIO [2]
8. SPI_MOSI	24. PIO [5]
9. VDD	25. PIO [6]
10. GND	26. PIO [3]
11. UART_CTS	27. PIO [8]
12. UART_RTS	28. PIO [4]
13. UART_TX	29. PIO [7]
14. UART_RX	30. GND
15. PCM_CLK	31. N.C (RF_TEST: ANT)
16. PCM_IN	32. N.C (RF_TEST: GND)

Unit : mm