

Heatsinks

Standard lengths	n	b / d Ø mm	$R_{thcw} (H_2O)$		w kg
			$R_{th(case - cooling water)}$ K/W	$R_{th(thermal trip - cooling water)}$ K/W	
WK 31 + WK 32 $V_{W/t}: 2 \text{ l/min}$ $\Delta p: 45 \text{ mbar}$			0,150	0,015	1,44
			0,106	0,015	
			0,096	0,015	
WK 31 + WK 32 $V_{W/t}: 4 \text{ l/min}$ $\Delta p: 180 \text{ mbar}$			0,128	0,012	1,44
			0,084	0,012	
			0,066	0,012	

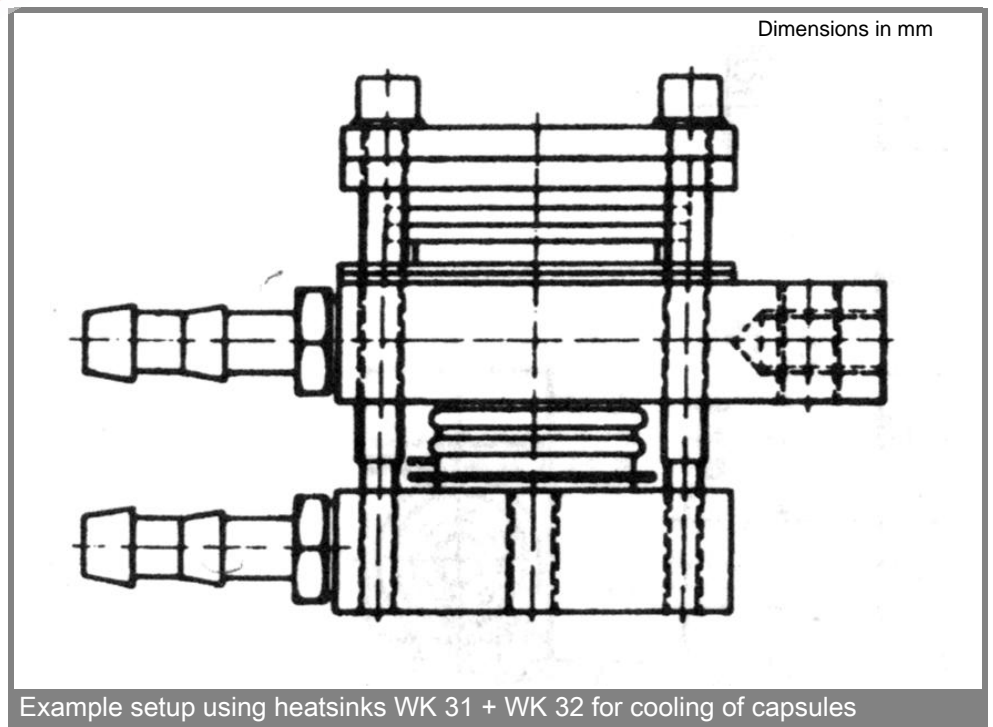
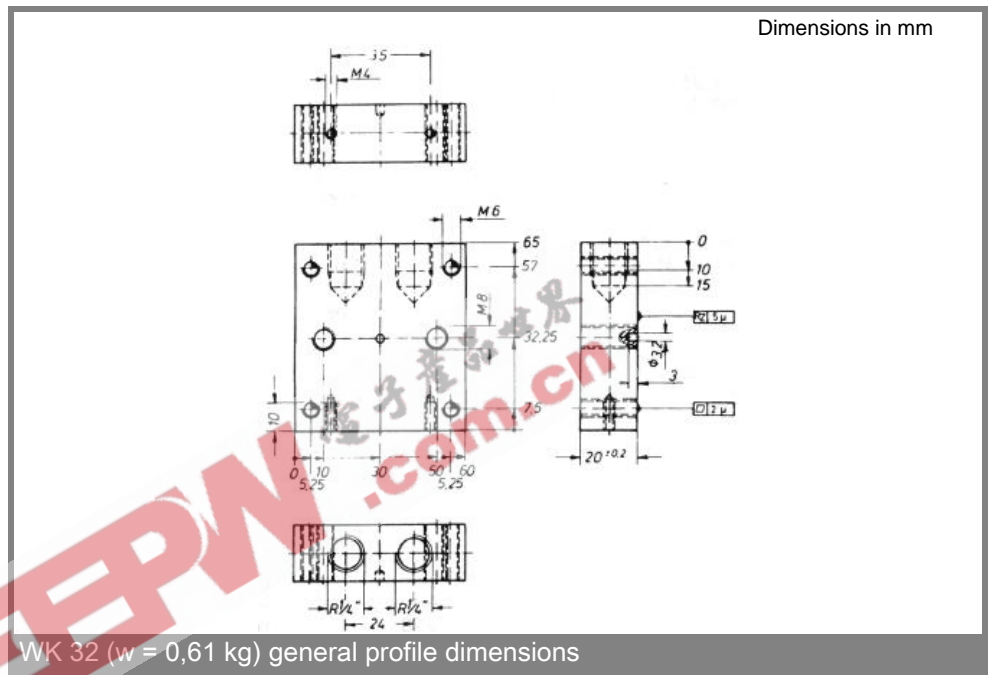
Liquid cooling for capsule devices

WK 32

Publish Data

Features

- Intended for capsule devices
- Designed for water/liquid cooling



EEPW 电子产品世界
.com.cn