

Basic Information



Model No **WS1-020S**

Weight 5 g

Dimension $\Phi 20.05 \times 12.15 \times \Phi 8.50$ mm

Technical Information

20 mm Spot Lens

Up to 90% efficiency

10° viewing angle

Works with all Luxeon products

Optical grade Acrylic plastic

Application

Reading lights(car, bus, aircraft)

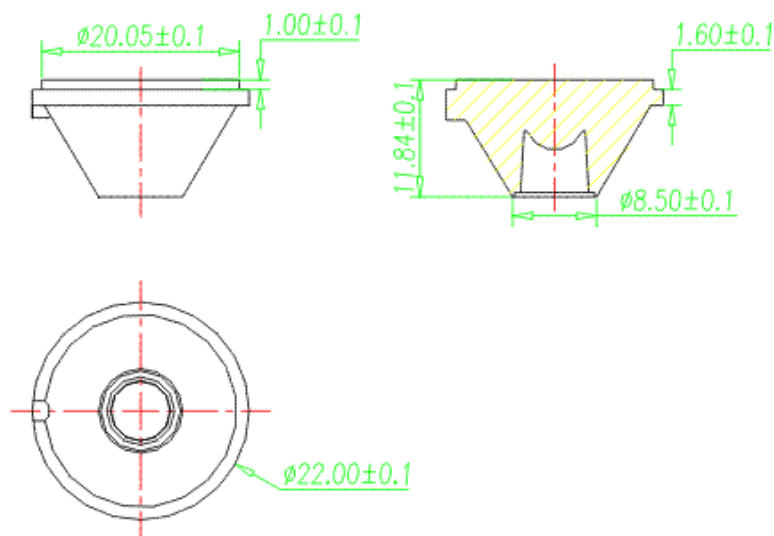
Portable (flashlight, bicycle)

Mimi-accent / Decorative / Fiber Optics Alternative

Undershelf / Task Lighting

Indoor and Outdoor Commercial and Residential Architectural lighting

Mechanical Dimensions



ROITHNER LASERTECHNIK GmbH

WIEDNER HAUPTSTRASSE 76 1040 VIENNA AUSTRIA
TEL. +43 1 586 52 43 -0. FAX. -44. OFFICE@ROITHNER-LASER.COM

