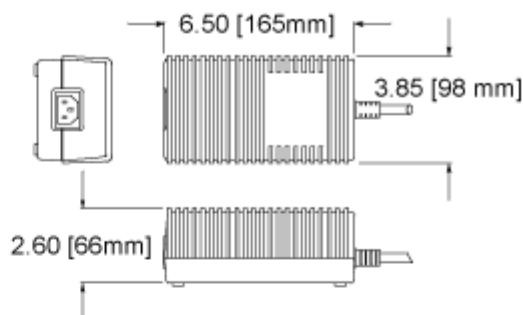


WRI

Wide Range Input Regulated Power Supplies



Features

- Wide range AC input
- Fully enclosed plastic case
- Fully regulated output
- High efficiency
- Shielded DC cable
- 5 year warranty

Environmental

- Operating temperature.....0°C to 40°C
- Storage temperature.....-55°C to 85°C
- Weight: 2.1 lbs.

EMI

Meets FCC class B, CISPR 22 class B

Safety

- CSA NRTL certified to UL 1950
- CSA 950
- TUV to EN60950
- CE mark

Polarity

| | Pin1 | Pin2 | Pin3 | Pin4 | Pin5 |
|------------|------|------|------|------|------|
| Single O/P | Com | Com | V+ | Com | V+ |
| Dual O/P | Com | Com | V1 | Com | V2 |
| Triple O/P | Com | Com | V1 | V3 | V2 |



Electrical specifications

Input

- Voltage.....95-250 VAC (90-264)
- Current.....1A @ 115 VAC
- Frequency.....47-63 Hz
- A/C cord.....Included-6 foot cord
- Input connector.....3 Pin IEC 320 receptacle

Output

- Line regulation.....TYP +/- 1%
- Load regulation.....TYP +/- 5%
- Set point.....+/- 3% at 60% load
- Hold up time.....20 ms min. at full load 115 VAC
- Over voltage protection.....Built-in
- Over current protection.....Built-in
- Short circuit protection.....Pulsing Mode, auto recovery
- Ripple/noise (Vp-p).....+/- 1% (20 MHz bandwidth)
- Output connector.....D5 (5 PIN DIN)
- Efficiency.....75% minimum at full load and 115 VAC

Output Electrical Specifications

| Model No. | Output 1 | | Output 2 | | Output 3 | | Power |
|------------|----------|------|----------|------|----------|------|-------|
| | Volts | Amps | Volts | Amps | Volts | Amps | |
| WRI3012-D5 | 12 | 2.5 | | | | | 30 |
| WRI4212-D5 | 12 | 3.5 | | | | | 42 |
| WRI4214-D5 | 24 | 1.75 | | | | | 42 |
| WRI5215-D5 | 30 | 1.75 | | | | | 52 |
| WRI2721-D5 | 5 | 4 | 12 | 0.5 | | | 27 |
| WRI2731-D5 | 5 | 3 | 12 | 0.5 | -12 | 0.5 | 27 |
| WRI3031-D5 | 5 | 2 | 12 | 1.5 | -12 | 0.5 | 30 |
| WRI4232-D5 | 5 | 4.8 | 12 | 1.5 | -12 | 0.5 | 42 |
| WRI4231-D5 | 5 | 3 | 12 | 2.5 | -12 | 0.5 | 42 |



ELPAC Power Systems, 1562 Reynolds Ave, Irvine CA 92614
 Phone (949) 476-6070 Fax (949) 476-6075 Toll free # (888) ELPAC-80
 E-mail: sales@elpac.com or engr@elpac.com

[Quality Power Supplies](#) | [Agency Certifications](#) | [Output Connectors](#) | [Custom Requests](#) | [About Us](#) | [Quality Management Team](#) | [Job Opportunities](#) | [Elpac News](#) | [Sales Representatives](#) | [Distributors](#) | [Catalog Request](#)
[Power Supplies](#) | [External Power Supplies](#) | [Open Frame Power Supplies](#) | [Medical Power Supplies](#) | [Customer Support](#)

Copyright © 2003, Elpac Power Supplies

