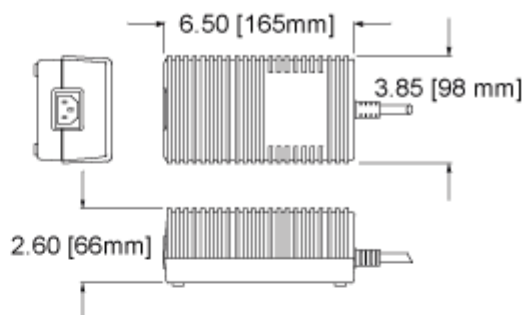


WRI

Wide Range Input Regulated Power Supplies



Features

- Wide range AC input
- Fully enclosed plastic case
- Fully regulated output
- High efficiency
- Shielded DC cable
- 5 year warranty

Environmental

- Operating temperature.....0°C to 40°C
- Storage temperature.....-55°C to 85°C
- Weight: 2.1 lbs.

EMI

Meets FCC class B, CISPR 22 class B

Safety

- CSA NRTL certified to UL 1950
- CSA 950
- TUV to EN60950
- CE mark

Polarity

	Pin1	Pin2	Pin3	Pin4	Pin5
Single O/P	Com	Com	V+	Com	V+
Dual O/P	Com	Com	V1	Com	V2
Triple O/P	Com	Com	V1	V3	V2



Electrical specifications

Input

- Voltage.....95-250 VAC (90-264)
- Current.....1A @ 115 VAC
- Frequency.....47-63 Hz
- A/C cord.....Included-6 foot cord
- Input connector.....3 Pin IEC 320 receptacle

Output

- Line regulation.....TYP +/- 1%
- Load regulation.....TYP +/- 5%
- Set point.....+/- 3% at 60% load
- Hold up time.....20 ms min. at full load 115 VAC
- Over voltage protection.....Built-in
- Over current protection.....Built-in
- Short circuit protection.....Pulsing Mode, auto recovery
- Ripple/noise (Vp-p).....+/- 1% (20 MHz bandwidth)
- Output connector.....D5 (5 PIN DIN)
- Efficiency.....75% minimum at full load and 115 VAC

Output Electrical Specifications

Model No.	Output 1		Output 2		Output 3		Power
	Volts	Amps	Volts	Amps	Volts	Amps	
WRI3012-D5	12	2.5					30
WRI4212-D5	12	3.5					42
WRI4214-D5	24	1.75					42
WRI5215-D5	30	1.75					52
WRI2721-D5	5	4	12	0.5			27
WRI2731-D5	5	3	12	0.5	-12	0.5	27
WRI3031-D5	5	2	12	1.5	-12	0.5	30
WRI4232-D5	5	4.8	12	1.5	-12	0.5	42
WRI4231-D5	5	3	12	2.5	-12	0.5	42



ELPAC Power Systems, 1562 Reynolds Ave, Irvine CA 92614
 Phone (949) 476-6070 Fax (949) 476-6075 Toll free # (888) ELPAC-80
 E-mail: sales@elpac.com or engr@elpac.com

[Quality Power Supplies](#) | [Agency Certifications](#) | [Output Connectors](#) | [Custom Requests](#) | [About Us](#) | [Quality Management Team](#) | [Job Opportunities](#) | [Elpac News](#) | [Sales Representatives](#) | [Distributors](#) | [Catalog Request](#)
[Power Supplies](#) | [External Power Supplies](#) | [Open Frame Power Supplies](#) | [Medical Power Supplies](#) | [Customer](#)

Copyright © 2003, Elpac Power Supply

EEPW 电子產品世界
.com.cn