



Features

- Carbon composition/Industrial/Sealed
- Locking-Bushing/Standard-Bushing
- Meet MIL-R-94

WS Series Hot-Molded Carbon Composition Potentiometer

Electrical Characteristics

Standard Resistance Range..... A: 100 to 4700K ohms
B/C: 1K to 1000K ohms
 Resistance Tolerance..... $\pm 5\%$, $\pm 10\%$, $\pm 20\%$
 Absolute Minimum Resistance..... 15 ohms
 (for total resistance values of 100 to 820 ohms inclusive)
1%
 (for total resistance values of 1K to 4700K ohms inclusive)
 Contact Resistance Variation.....5%
 Insulation Resistance (100 VDC)....1,000 megohms minimum
 Power Rating.....
 70°CA: 0.5 watt
B/C: 0.25 watt
 125°C0 watt

Environmental Characteristics

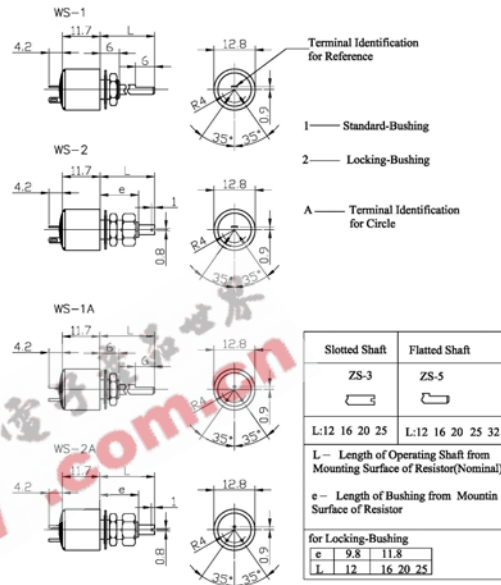
Temperature Range.....-55°C to +125°C
 Vibration.....15G
 Shock.....100G
 Load Life.....
 1,000 hours, 70°CA: 0.5 watt
B/C: 0.25 watt
 Total Resistance Shift..... $\pm 10\%$
 Rotational Life.....
 WS-1/1A (Standard-Bushing Type).....10,000 cycles
 Total Resistance Shift..... $\pm 10\%$
 WS-2/2A(Locking-Bushing Type).....500 cycles
 Total Resistance Shift..... $\pm 10\%$

Mechanical Characteristics

Total Mechanical Angle.....270° minimum
 Torque.....
 Starting Torque.....0.8 to 5 N•cm
 Lock Torque(Locking-Bushing Type).....8 N•cm
 Weight.....Approximately 8G

How To Order

Model _____ WS - 2A - 0.5 - 4K7 - 16ZS-3 - M
 Style _____
 Power Rating _____
 Standard Resistance _____
 Length of Operating Shaft
 (from Mounting Surface) _____
 Slotted Shaft _____
 Resistance Tolerance _____
 M=20%; K=10%



Standard Resistance Table (ohms)

| | | | | |
|-----|-----|-----|------|-----|
| 100 | 1K | 10K | 100K | 1M |
| 120 | 1K2 | 12K | 120K | 1M2 |
| 150 | 1K5 | 15K | 150K | 1M5 |
| 180 | 1K8 | 18K | 180K | 1M8 |
| 220 | 2K2 | 22K | 220K | 2M2 |
| 270 | 2K7 | 27K | 270K | 2M7 |
| 330 | 3K3 | 33K | 330K | 3M3 |
| 390 | 3K9 | 39K | 390K | 3M9 |
| 470 | 4K7 | 47K | 470K | 4M7 |
| 560 | 5K6 | 56K | 560K | |
| 680 | 6K5 | 68K | 680K | |
| 820 | 8K2 | 82K | 820K | |

Popular values listed in boldface. Special resistance available.

Derating Curve P.

