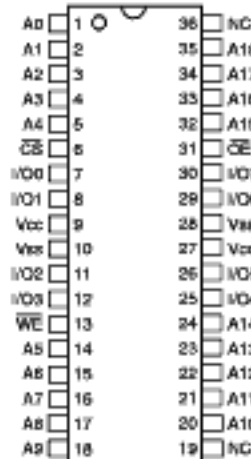




512Kx8 SRAM

PRELIMINARY *

PIN CONFIGURATION
TOP VIEW



PIN DESCRIPTION

| | |
|--------|-------------------|
| A0-13 | Address Inputs |
| I/O0-7 | Data Input/Output |
| CS | Chip Select |
| OE | Output Enable |
| WE | Write Enable |
| Vcc | +5.0V Power |
| Vss | Ground |
| NC | No Connect |

PLASTIC PLUS™ FEATURES

- Access Times of 15, 20, 25ns
- Standard Commercial Off-The-Shelf (COTS) Memory Devices for Extended Temperature Range
- JEDEC Standard 36 pin Plastic SOJ Package
- Electrical and Speed Characteristics for:
 - Military Temperature (-55°C to +125°C)
 - Industrial Temperature (-40°C to +85°C)
- Burn-in and Temperature Cycling Available
- Organized as 512K x 8
- Center Power/Ground Pins (Revolutionary)
- 5 Volt Power Supply
- Low Power (Low) Version Available
- Battery Back-Up Operation
- Reliability Test Data Available:
 - High Temperature Operating Life
 - High Temperature Storage
 - Pressure Cooker Test
 - Wet High Temperature Operating Life
 - Thermal Shock
 - Temperature Cycling

* This data sheet describes a product under development, not fully characterized, and is subject to change without notice.



ABSOLUTE MAXIMUM RATINGS

| Parameter | Symbol | Min | Max | Unit |
|--|------------------|------|-----------------------|------|
| Operating Temperature (Mil.) | T _A | -55 | +125 | °C |
| Operating Temperature (Ind.) | T _A | -40 | +85 | °C |
| Storage Temperature | T _{STG} | -65 | +150 | °C |
| Signal Voltage Relative to V _{SS} | V _G | -0.5 | V _{CC} + 0.5 | V |
| Supply Voltage | V _{CC} | -0.5 | 7.0 | V |

TRUTH TABLE

| \overline{CS} | \overline{WE} | \overline{OE} | Mode | I/O Pin | V _{CC} Current |
|-----------------|-----------------|-----------------|-------------|------------------|-------------------------|
| H | X | X | Power Down | High-Z | I _{SB} |
| L | H | H | Out Disable | High-Z | I _{CC} |
| L | H | L | Read | D _{OUT} | I _{CC} |
| L | L | X | Write | D _{IN} | I _{CC} |

RECOMMENDED OPERATING CONDITIONS

| Parameter | Symbol | Min | Max | Unit |
|------------------------------|-----------------|------|-----------------------|------|
| Supply Voltage | V _{CC} | 4.5 | 5.5 | V |
| Input High Voltage | V _{IH} | 2.2 | V _{CC} + 0.5 | V |
| Input Low Voltage | V _{IL} | -0.3 | +0.8 | V |
| Operating Temperature (Mil.) | T _A | -55 | +125 | °C |
| Operating Temperature (Ind.) | T _A | -40 | +85 | °C |

CAPACITANCE

(T_A = +25°C)

| Parameter | Symbol | Condition | Max | Unit |
|--------------------|------------------|-----------------------------------|-----|------|
| Input capacitance | C _{IN} | V _{IN} = 0V, f = 1.0MHz | 6 | pF |
| Output capacitance | C _{OUT} | V _{OUT} = 0V, f = 1.0MHz | 8 | pF |

This parameter is guaranteed by design but not tested.

DC CHARACTERISTICS

(V_{CC} = 5V, V_{SS} = 0V, T_A = -55°C to +125°C)

| Parameter | Symbol | Conditions | Units | |
|--------------------------|-----------------|---|-------|-----------|
| | | | Min | Max |
| Input Leakage Current | I _{LI} | V _{CC} = 5.5, V _{IN} = V _{SS} to V _{CC} | | 10 μA |
| Output Leakage Current | I _{LO} | $\overline{CS} = V_{IH}, \overline{OE} = V_{IH}, V_{OUT} = V_{SS} \text{ to } V_{CC}$ | | 10 μA |
| Operating Supply Current | I _{CC} | $\overline{CS} = V_{IL}, \overline{OE} = V_{IH}, f = 5\text{MHz}, V_{CC} = 5.5$ | | 180 mA |
| Standby Current | I _{SB} | $\overline{CS} = V_{IH}, \overline{OE} = V_{IH}, f = 5\text{MHz}, V_{CC} = 5.5$ | | 15 mA |
| Output Low Voltage | V _{OL} | I _{OL} = 8.0mA, V _{CC} = 4.5 | | 0.4 V |
| Output High Voltage | V _{OH} | I _{OH} = -4.0mA, V _{CC} = 4.5 | 2.4 | V |

NOTE: DC test conditions: V_{IL} = 0.3V, V_{IH} = V_{CC} - 0.3V

DATA RETENTION CHARACTERISTICS

(T_A = -55°C to +125°C)

| Parameter | Symbol | Conditions | Units | | |
|-------------------------------|--------------------|------------------------------------|-------|-----|-----------|
| | | | Min | Typ | Max |
| Data Retention Supply Voltage | V _{DR} | $\overline{CS} \geq V_{CC} - 0.2V$ | 2.0 | | 5.5 V |
| Data Retention Current | I _{CCDR1} | V _{CC} = 3V | | 0.5 | 8 mA |
| Low Power Data Retention (L) | I _{CCDR1} | V _{CC} = 3V | | 300 | 800 μA |

**AC CHARACTERISTICS**(V_{CC} = 5.0V, V_{SS} = 0V, T_A = -55°C to +125°C)

| Parameter | Symbol | -15* | | -20 | | -25 | | Units |
|------------------------------------|--------------------|------|-----|-----|-----|-----|-----|-------|
| | | Min | Max | Min | Max | Min | Max | |
| Read Cycle | | | | | | | | |
| Read Cycle Time | t _{RC} | 15 | | 20 | | 25 | | ns |
| Address Access Time | t _{AA} | | 15 | | 20 | | 25 | ns |
| Output Hold from Address Change | t _{OH} | 0 | | 0 | | 0 | | ns |
| Chip Select Access Time | t _{ACS} | | 15 | | 20 | | 25 | ns |
| Output Enable to Output Valid | t _{OE} | | 8 | | 10 | | 12 | ns |
| Chip Select to Output in Low Z | t _{CLZ} ' | 3 | | 3 | | 3 | | ns |
| Output Enable to Output in Low Z | t _{OLZ} ' | 0 | | 0 | | 0 | | ns |
| Chip Disable to Output in High Z | t _{CHZ} ' | | 7 | | 8 | | 10 | ns |
| Output Disable to Output in High Z | t _{OHZ} ' | | 7 | | 8 | | 10 | ns |

* 15ns not available in the lower power option.

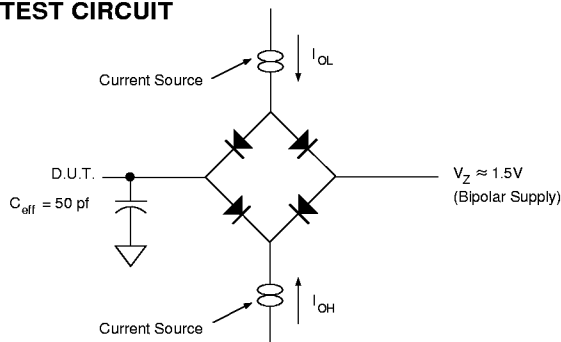
1. This parameter is guaranteed by design but not tested.

AC CHARACTERISTICS(V_{CC} = 5.0V, T_A = -55°C to +125°C)

| Parameter | Symbol | -15* | | -20 | | -25 | | Units |
|----------------------------------|--------------------|------|-----|-----|-----|-----|-----|-------|
| | | Min | Max | Min | Max | Min | Max | |
| Write Cycle | | | | | | | | |
| Write Cycle Time | t _{WC} | 15 | | 20 | | 25 | | ns |
| Chip Select to End of Write | t _{CW} | 12 | | 13 | | 15 | | ns |
| Address Valid to End of Write | t _{AW} | 12 | | 13 | | 15 | | ns |
| Data Valid to End of Write | t _{DW} | 8 | | 9 | | 10 | | ns |
| Write Pulse Width | t _{WP} | 12 | | 13 | | 15 | | ns |
| Address Setup Time | t _{AS} | 0 | | 0 | | 0 | | ns |
| Address Hold Time | t _{AH} | 0 | | 0 | | 0 | | ns |
| Output Active from End of Write | t _{OW} ' | 0 | | 0 | | 0 | | ns |
| Write Enable to Output in High Z | t _{WHZ} ' | | 8 | | 8 | | 10 | ns |
| Data Hold Time | t _{DH} | 0 | | 0 | | 0 | | ns |

* 15ns not available in the lower power option.

1. This parameter is guaranteed by design but not tested.

AC TEST CIRCUIT**AC TEST CONDITIONS**

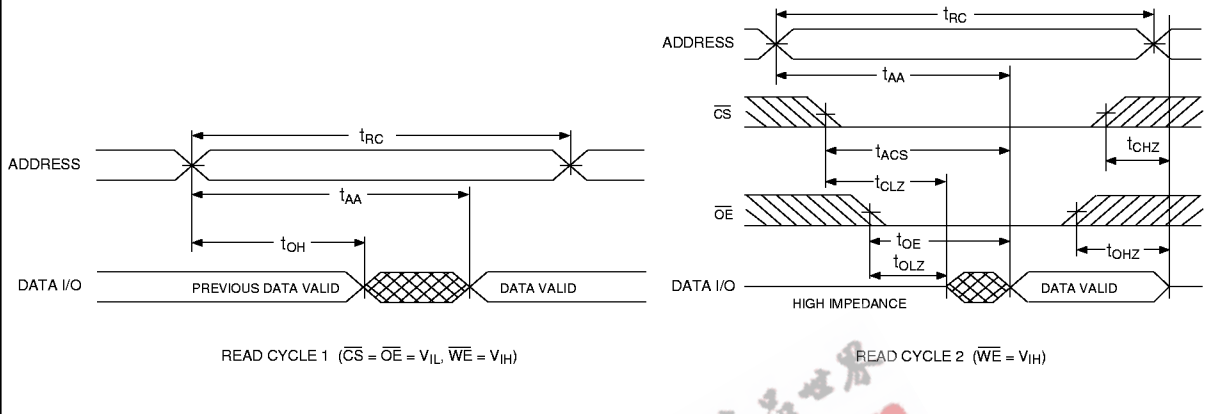
| Parameter | Typ | Unit |
|----------------------------------|--|------|
| Input Pulse Levels | V _{IL} = 0, V _{IH} = 3.0 | V |
| Input Rise and Fall | 5 | ns |
| Input and Output Reference Level | 1.5 | V |
| Output Timing Reference Level | 1.5 | V |

NOTES:V_Z is programmable from -2V to +7V.I_{OL} & I_{OH} programmable from 0 to 16mA.Tester Impedance Z₀ = 75 Ω.V_Z is typically the midpoint of V_{OH} and V_{OL}.I_{OL} & I_{OH} are adjusted to simulate a typical resistive load circuit.

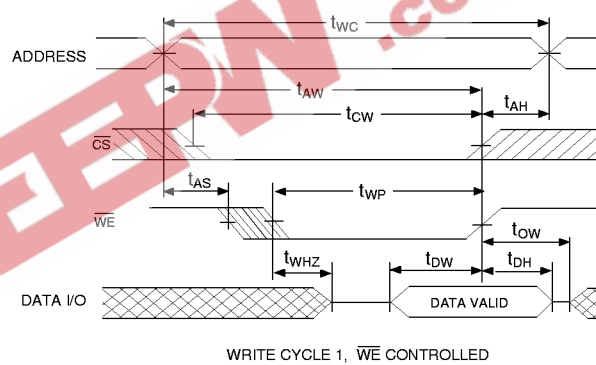
ATE tester includes jig capacitance.



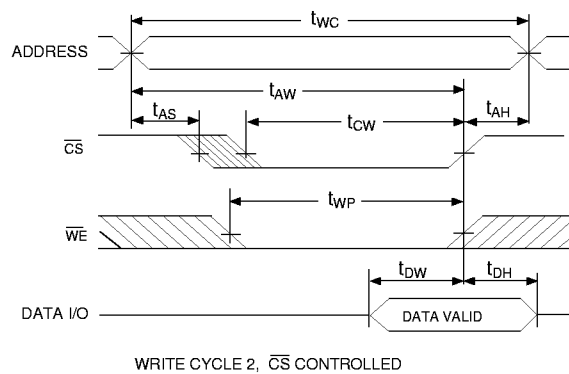
TIMING WAVEFORM - READ CYCLE



WRITE CYCLE - \overline{WE} CONTROLLED

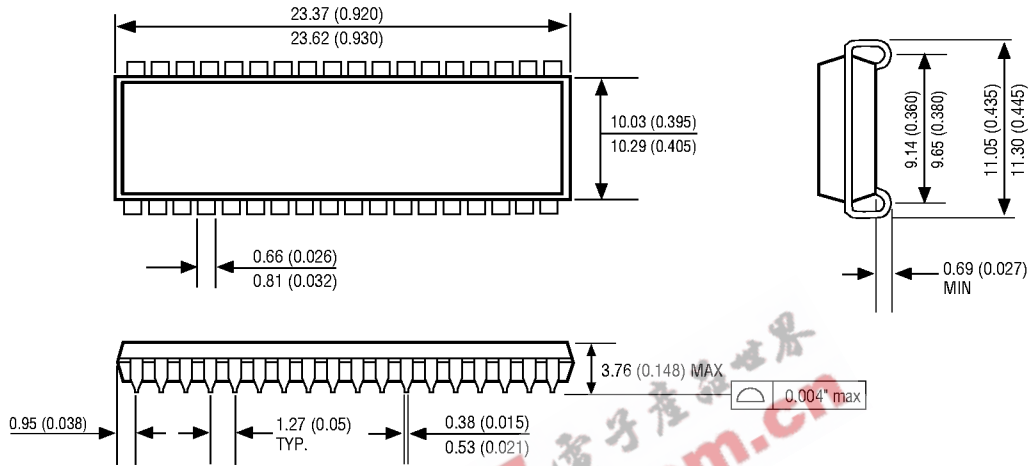


WRITE CYCLE - \overline{CS} CONTROLLED





PACKAGE DIMENSION



DIMENSIONS IN MILLIMETERS AND (INCHES)

ORDERING INFORMATION

W P S 512K 8 X X - XXX R J X X

SPECIAL PROCESS:

- Blank = CMOS
- B = Bi CMOS

DEVICE GRADE:

- M = Military Temperature -55°C to +125°C
- I = Industrial Temperature -40°C to +85°C

PACKAGE:

- RJ = Revolutionary SOJ

ACCESS TIME (ns)

IMPROVEMENT MARK

- B = Burn-in
- T = Temperature Cycling
- C = Burn-in and Temperature Cycle

- Blank = Standard Power
- L = Low Power

ORGANIZATION, 512K x 8

SRAM

PLASTIC PLUS™

WHITE MICROELECTRONICS