

# X5083

## CPU Supervisor with 8Kbit SPI EEPROM

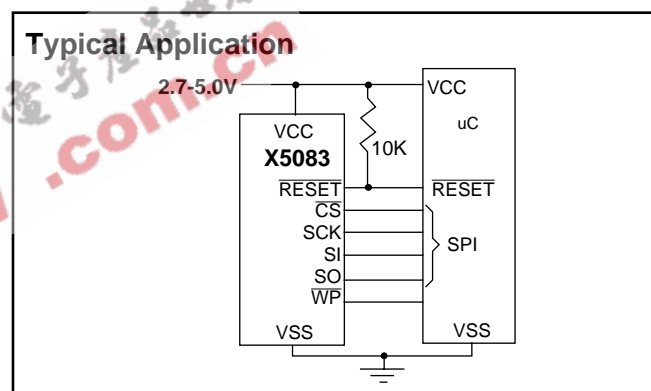
### FEATURES

- Low  $V_{CC}$  detection and reset assertion
  - Four standard reset threshold voltages  
4.63V, 4.38V, 2.93V, 2.63V
  - Re-program low  $V_{CC}$  reset threshold voltage using special programming sequence.
  - Reset signal valid to  $V_{CC} = 1V$
- Selectable time out watchdog timer
- Long battery life with low power consumption
  - $<50\mu A$  max standby current, watchdog on
  - $<1\mu A$  max standby current, watchdog off
  - $<400\mu A$  max active current during read
- 8Kbits of EEPROM
- Save critical data with Block Lock™ memory
  - Block lock first or last page, any 1/4 or lower 1/2 of EEPROM array
- Built-in inadvertent write protection
  - Write enable latch
  - Write protect pin
- SPI Interface - 3.3MHz clock rate
- Minimize programming time
  - 16 byte page write mode
  - 5ms write cycle time (typical)
- SPI modes (0,0 & 1,1)
- Available packages
  - 8-lead TSSOP, 8-lead SOIC, 8-Lead PDIP

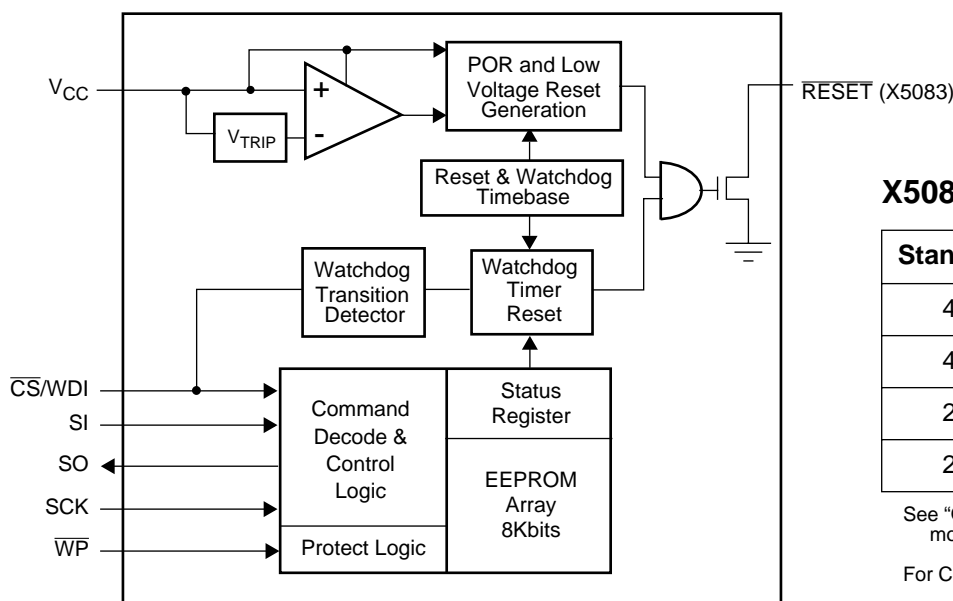
### APPLICATIONS

- Communications Equipment
  - Routers, Hubs, Switches
  - Set Top Boxes
- Industrial Systems
  - Process Control
  - Intelligent Instrumentation
- Computer Systems
  - Desktop Computers
  - Network Servers
- Battery Powered Equipment

### Typical Application



### BLOCK DIAGRAM



### X5083

Standard $V_{TRIP}$ Level	Suffix
4.63V (+/-2.5%)	-4.5A
4.38V (+/-2.5%)	-4.5
2.93V (+/-2.5%)	-2.7A
2.63V (+/-2.5%)	-2.7

See "Ordering Information" on page 21 for more details

For Custom Settings, call Xicor.

# X5083

## DESCRIPTION

This device combines four popular functions, Power-on Reset Control, Watchdog Timer, Supply Voltage Supervision, and Block Lock Serial EEPROM Memory in one package. This combination lowers system cost, reduces board space requirements, and increases reliability.

Applying power to the device activates the power on reset circuit which holds  $\overline{\text{RESET}}$  active for a period of time. This allows the power supply and oscillator to stabilize before the processor can execute code.

The Watchdog Timer provides an independent protection mechanism for microcontrollers. When the microcontroller

fails to restart a timer within a selectable time out interval, the device activates the  $\overline{\text{RESET}}$  signal. The user selects the interval from three preset values. Once selected, the interval does not change, even after cycling the power.

The device's low  $V_{CC}$  detection circuitry protects the user's system from low voltage conditions, resetting the system when  $V_{CC}$  falls below the minimum  $V_{CC}$  trip point.  $\overline{\text{RESET}}$  is asserted until  $V_{CC}$  returns to the proper operating level and stabilizes. Five industry standard  $V_{TRIP}$  thresholds are available, however, Xicor's unique circuits allow the threshold to be reprogrammed to meet custom requirements or to fine-tune the threshold for applications requiring higher precision.

## PIN CONFIGURATION



## PIN DESCRIPTION

Pin (SOIC/PDIP)	Pin TSSOP	Name	Function
1	3	$\overline{\text{CS/WDI}}$	<b>Chip Select Input.</b> $\overline{\text{CS}}$ HIGH, deselects the device and the SO output pin is at a high impedance state. Unless a nonvolatile write cycle is underway, the device will be in the standby power mode. $\overline{\text{CS}}$ LOW enables the device, placing it in the active power mode. Prior to the start of any operation after power up, a HIGH to LOW transition on $\overline{\text{CS}}$ is required. <b>Watchdog Input.</b> A HIGH to LOW transition on the WDI pin restarts the Watchdog timer. The absence of a HIGH to LOW transition within the watchdog time out period results in $\overline{\text{RESET}}$ going active.
2	4	SO	<b>Serial Output.</b> SO is a push/pull serial data output pin. A read cycle shifts data out on this pin. The falling edge of the serial clock (SCK) clocks the data out.
5	7	SI	<b>Serial Input.</b> SI is a serial data input pin. Input all opcodes, byte addresses, and memory data on this pin. The rising edge of the serial clock (SCK) latches the input data. Send all opcodes (Table 1), addresses and data MSB first.
6	8	SCK	<b>Serial Clock.</b> The Serial Clock controls the serial bus timing for data input and output. The rising edge of SCK latches in the opcode, address, or data bits present on the SI pin. The falling edge of SCK changes the data output on the SO pin.
3	5	$\overline{\text{WP}}$	<b>Write Protect.</b> When $\overline{\text{WP}}$ is LOW, nonvolatile write operations to the memory are prohibited. This "Locks" the memory to protect it against inadvertent changes when $\overline{\text{WP}}$ is HIGH, the device operates normally.
4	6	$V_{SS}$	<b>Ground</b>
8	2	$V_{CC}$	<b>Supply Voltage</b>
7	1	$\overline{\text{RESET}}$	<b>Reset Output.</b> $\overline{\text{RESET}}$ is an active LOW, open drain output which goes active whenever $V_{CC}$ falls below the minimum $V_{CC}$ sense level. It will remain active until $V_{CC}$ rises above the minimum $V_{CC}$ sense level for 250ms. $\overline{\text{RESET}}$ goes active if the watchdog timer is enabled and $\overline{\text{CS}}$ remains either HIGH or LOW longer than the selectable watchdog time out period. A falling edge of $\overline{\text{CS}}$ will reset the watchdog timer. $\overline{\text{RESET}}$ goes active on power up at about 1V and remains active for 250ms after the power supply stabilizes.

# X5083

## PRINCIPLES OF OPERATION

### Power On Reset

Application of power to the X5083 activates a power on reset circuit. This circuit goes LOW at 1V and pulls the  $\overline{\text{RESET}}$  pin active. This signal prevents the system microprocessor from starting to operate with insufficient voltage or prior to stabilization of the oscillator.  $\overline{\text{RESET}}$  active also blocks communication to the device through the SPI interface. When  $V_{CC}$  exceeds the device  $V_{TRIP}$  value for 200ms (nominal) the circuit releases  $\overline{\text{RESET}}$ , allowing the processor to begin executing code. While  $V_{CC} < V_{TRIP}$  communications to the device are inhibited.

### Low Voltage Monitoring

During operation, the X5083 monitors the  $V_{CC}$  level and asserts  $\overline{\text{RESET}}$  if supply voltage falls below a pre-set minimum  $V_{TRIP}$ . The  $\overline{\text{RESET}}$  signal prevents the microprocessor from operating in a power fail or brownout condition and terminates any SPI communication in progress. The  $\overline{\text{RESET}}$  signal remains active until the voltage drops below 1V. It also remains active until  $V_{CC}$  returns and exceeds  $V_{TRIP}$  for 200ms.

When  $V_{CC}$  falls below  $V_{TRIP}$ , any communications in progress are terminated and communications are inhibited until  $V_{CC}$  exceeds  $V_{TRIP}$  for  $t_{PURST}$ .

### Watchdog Timer

The watchdog timer circuit monitors the microprocessor activity by monitoring the WDI input. The microprocessor must toggle the  $\overline{\text{CS}}/\text{WDI}$  pin periodically to prevent a  $\overline{\text{RESET}}$  signal. The  $\overline{\text{CS}}/\text{WDI}$  pin must be toggled from

HIGH to LOW prior to the expiration of the watchdog time out period. The state of two nonvolatile control bits in the status register determine the watchdog timer period. The microprocessor can change these watchdog bits with no action taken by the microprocessor these bits remain unchanged, even after total power failure.

### $V_{CC}$ Threshold Reset Procedure

The X5083 is shipped with a standard  $V_{CC}$  threshold ( $V_{TRIP}$ ) voltage. This value will not change over normal operating and storage conditions. However, in applications where the standard  $V_{TRIP}$  is not exactly right, or if higher precision is needed in the  $V_{TRIP}$  value, the X5083 threshold may be adjusted. The procedure is described below, and uses the application of a high voltage control signal.

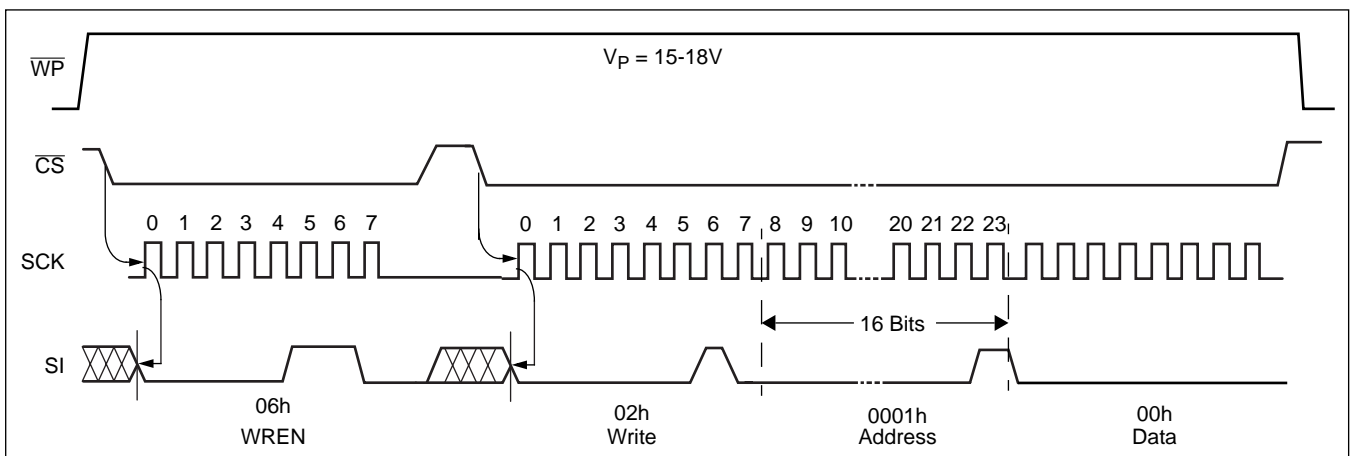
### Setting the $V_{TRIP}$ Voltage

This procedure is used to set the  $V_{TRIP}$  to a higher voltage value. For example, if the current  $V_{TRIP}$  is 4.4V and the new  $V_{TRIP}$  is 4.6V, this procedure will directly make the change. If the new setting is to be lower than the current setting, then it is necessary to reset the trip point before setting the new value.

To set the new  $V_{TRIP}$  voltage, apply the desired  $V_{TRIP}$  threshold voltage to the  $V_{CC}$  pin and tie the  $\overline{\text{WP}}$  pin to the programming voltage  $V_P$ . Then send a WREN command, followed by a write of Data 00h to address 01h.  $\overline{\text{CS}}$  going HIGH on the write operation initiates the  $V_{TRIP}$  programming sequence. Bring  $\overline{\text{WP}}$  LOW to complete the operation.

**Note:** This operation also writes 00h to array address 01h.

**Figure 1. Set  $V_{TRIP}$  Level Sequence ( $V_{CC}$  = desired  $V_{TRIP}$  value)**



# X5083

## Resetting the $V_{TRIP}$ Voltage

This procedure is used to set the  $V_{TRIP}$  to a “native” voltage level. For example, if the current  $V_{TRIP}$  is 4.4V and the new  $V_{TRIP}$  must be 4.0V, then the  $V_{TRIP}$  must be reset. When  $V_{TRIP}$  is reset, the new  $V_{TRIP}$  is something less than 1.7V. This procedure must be used to set the voltage to a lower value.

To reset the new  $V_{TRIP}$  voltage, apply the desired  $V_{TRIP}$  threshold voltage to the  $V_{CC}$  pin and tie the  $WP$  pin to the programming voltage  $V_P$ . Then send a WREN command, followed by a write of data 00h to address 03h. CS going HIGH on the write operation initiates the  $V_{TRIP}$  programming sequence. Bring  $WP$  LOW to complete the operation.

**Note:** This operation also writes 00h to array address 03h.

Figure 2. Reset  $V_{TRIP}$  Level Sequence ( $V_{CC} > 3V$ ,  $\overline{WP} = 15-18V$ )

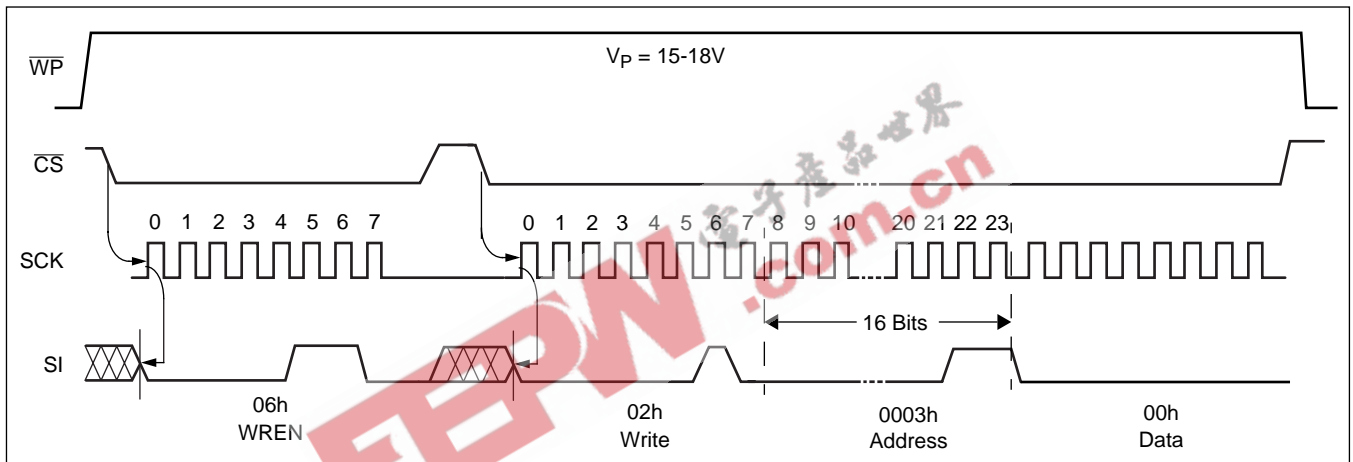


Figure 3. Sample  $V_{TRIP}$  Reset Circuit

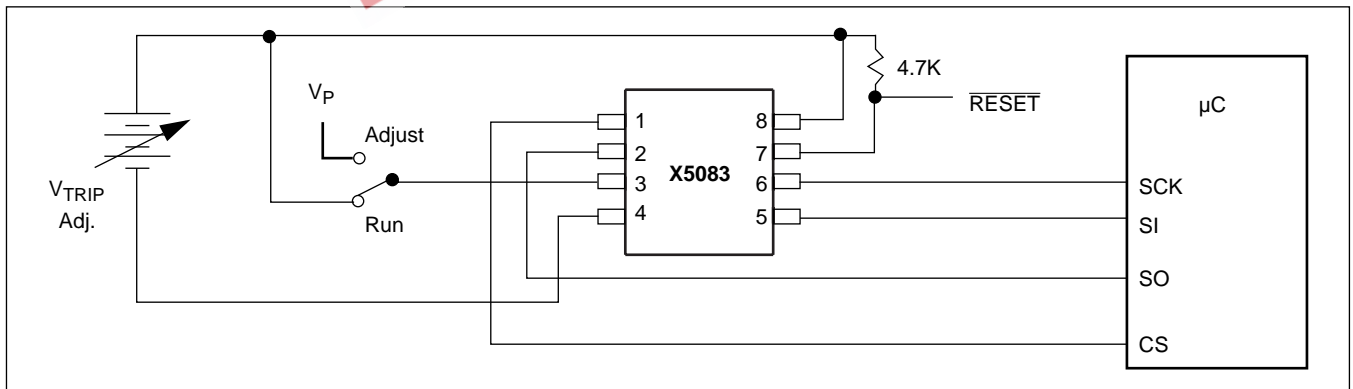
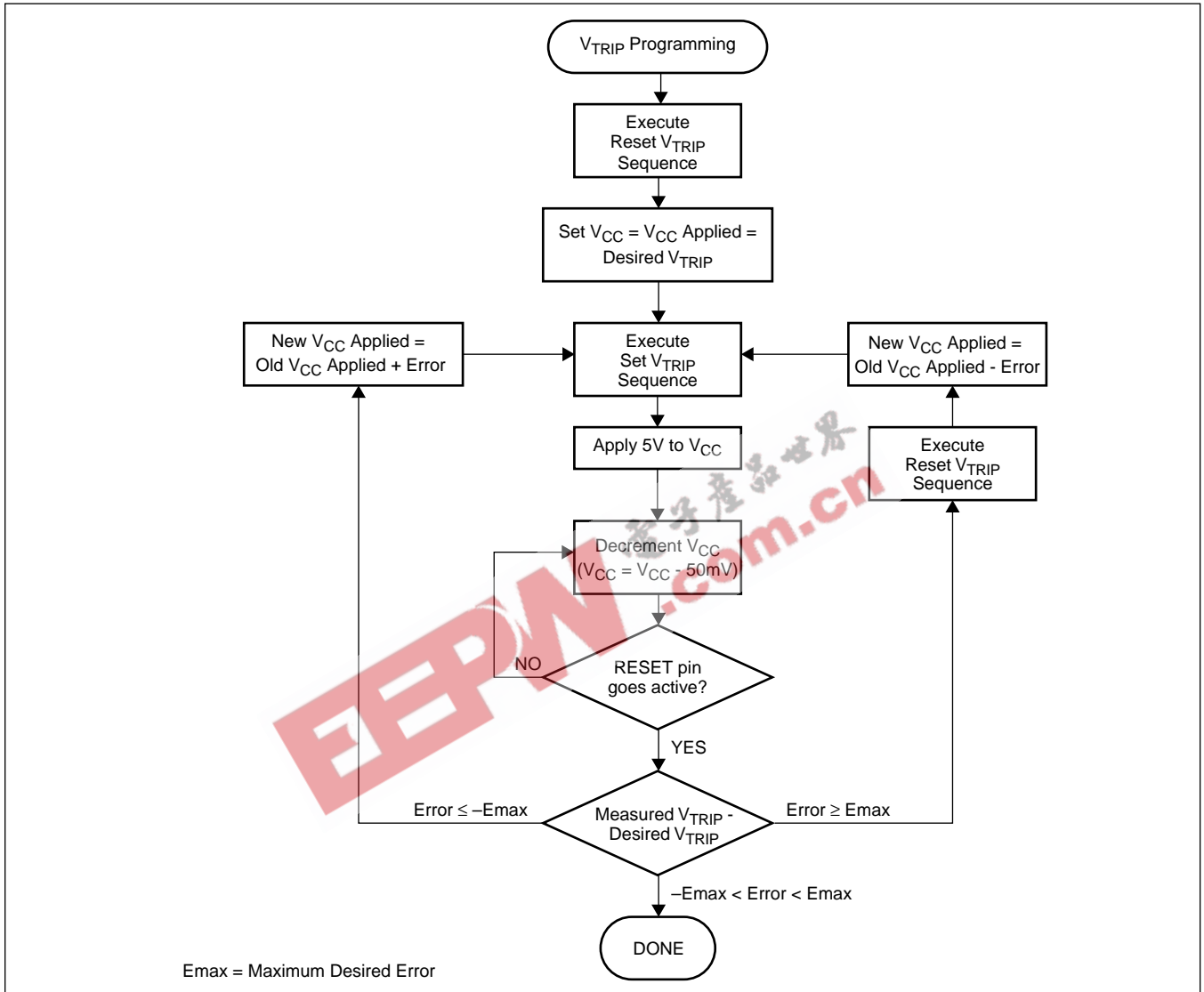


Figure 4.  $V_{TRIP}$  Programming Sequence



**SPI Serial Memory**

The memory portion of the device is a CMOS serial EEPROM array with Xicor's block lock protection. The array is internally organized as x 8. The device features a Serial Peripheral Interface (SPI) and software protocol allowing operation on a simple four-wire bus.

The device utilizes Xicor's proprietary Direct Write™ cell, providing a minimum endurance of 100,000 cycles and a minimum data retention of 100 years.

The device is designed to interface directly with the synchronous Serial Peripheral Interface (SPI) of many popular microcontroller families.

The device monitors the bus and asserts  $\overline{RESET}$  output if the watchdog timer is enabled and there is no bus

activity within the user selectable time out period or the supply voltage falls below a preset minimum  $V_{TRIP}$

The device contains an 8-bit instruction register. It is accessed via the SI input, with data being clocked in on the rising edge of SCK.  $\overline{CS}$  must be LOW during the entire operation.

All instructions (Table 1), addresses and data are transferred MSB first. Data input on the SI line is latched on the first rising edge of SCK after  $\overline{CS}$  goes LOW. Data is output on the SO line by the falling edge of SCK. SCK is static, allowing the user to stop the clock and then start it again to resume operations where left off.

# X5083

## Write Enable Latch

The device contains a Write Enable Latch. This latch must be SET before a Write Operation is initiated. The WREN instruction will set the latch and the WRDI instruction will reset the latch (Figure 7). This latch is automatically reset upon a power-up condition and after the completion of a valid Write Cycle.

## Status Register

The RDSR instruction provides access to the status register. The status register may be read at any time, even during a write cycle. The status register is formatted as follows.

### Status Register/Block Lock/WDT Byte

7	6	5	4	3	2	1	0
0	0	0	WD1	WD0	BL2	BL1	BL0

**Table 1. Instruction Set and Block Lock Protection Byte Definition**

Instruction Format	Instruction Name and Operation
0000 0110	WREN: set the write enable latch (write enable operation)
0000 0100	WRDI: reset the write enable latch (write disable operation)
0000 0001	<b>Write status instruction—followed by:</b> <b>Block lock/WDT byte: (See Figure 1)</b> 000WD <sub>1</sub> WD <sub>2</sub> 000 --->no block lock: 00h-00h --->none of the array 000WD <sub>1</sub> WD <sub>2</sub> 001 --->block lock Q1: 0000h-00FFh --->lower quadrant (Q1) 000WD <sub>1</sub> WD <sub>2</sub> 010 --->block lock Q2: 0100h-01FFh --->Q2 000WD <sub>1</sub> WD <sub>2</sub> 011 --->block lock Q3: 0200h-02FFh --->Q3 000WD <sub>1</sub> WD <sub>2</sub> 100 --->block lock Q4: 0300h-03FFh --->upper quadrant (Q4) 000WD <sub>1</sub> WD <sub>2</sub> 101 --->block lock H1: 0000h-01FFh --->lower half of the array (H1) 000WD <sub>1</sub> WD <sub>2</sub> 110 --->block lock P0: 0000h-000Fh --->lower page (P0) 000WD <sub>1</sub> WD <sub>2</sub> 111 --->block lock Pn: 03F0h-03FFh --->upper page (PN)
0000 0101	READ STATUS: reads status register & provides write in progress status on SO pin
0000 0010	WRITE: write operation followed by address and data
0000 0011	READ: read operation followed by address

## Watchdog Timer

The watchdog timer bits, WD0 and WD1, select the watchdog time out period. These nonvolatile bits are programmed with the WRSR instruction. A change to the Watchdog Timer, either setting a new time out period or turning it off or on, takes effect, following either the next command (read or write) or cycling the power to the device.

The recommended procedure for changing the Watchdog Timer settings is to do a WREN, followed by a write status register command. Then execute a software loop to read the status register until the MSB of the status byte is zero. A valid alternative is to do a

## Block Lock Memory

Xicor's block lock memory provides a flexible mechanism to store and lock system ID and parametric information. There are seven distinct block lock memory areas within the array which vary in size from one page to as much as half of the entire array. These areas and associated address ranges are block locked by writing the appropriate two byte block lock instruction to the device as described in Table 1 and Figure 9. Once a block lock instruction has been completed, that block lock setup is held in the nonvolatile status register until the next block lock instruction is issued. The sections of the memory array that are block locked can be read but not written until block lock is removed or changed.

WREN, followed by a write status register command. Then wait 10ms and do a read status command.

**Table 2. Watchdog Timer Definition**

Status Register Bits		Watchdog Time Out (Typical)
WD1	WD0	
0	0	1.4 seconds
0	1	600 milliseconds
1	0	200 milliseconds
1	1	disabled (factory default)

## Read Sequence

When reading from the EEPROM memory array,  $\overline{CS}$  is first pulled low to select the device. The 8-bit READ instruction is transmitted to the device, followed by the 16-bit address. After the READ opcode and address are sent, the data stored in the memory at the selected address is shifted out on the SO line. The data stored in memory at the next address can be read sequentially by continuing to provide clock pulses. The address is automatically incremented to the next higher address after each byte of data is shifted out. When the highest address is reached, the address counter rolls over to address \$0000 allowing the read cycle to be continued indefinitely. The read operation is terminated by taking  $\overline{CS}$  high. Refer to the read EEPROM array sequence (Figure 5).

To read the status register, the  $\overline{CS}$  line is first pulled low to select the device followed by the 8-bit RDSR instruction. After the RDSR opcode is sent, the contents of the status register are shifted out on the SO line. Refer to the read status register sequence (Figure 6).

## Write Sequence

Prior to any attempt to write data into the device, the "Write Enable" Latch (WEL) must first be set by issuing the WREN instruction (Figure 7).  $\overline{CS}$  is first taken LOW, then the WREN instruction is clocked into the device. After all eight bits of the instruction are transmitted,  $\overline{CS}$  must then be taken HIGH. If the user continues the write operation without taking  $\overline{CS}$  HIGH after issuing the WREN instruction, the write operation will be ignored.

To write data to the EEPROM memory array, the user then issues the WRITE instruction followed by the 16 bit address and then the data to be written. Any unused address bits are specified to be "0's". The WRITE operation minimally takes 32 clocks.  $\overline{CS}$  must go low and remain low for the duration of the operation. If the address counter reaches the end of a page and the clock continues, the counter will roll back to the first address of the same page and overwrite any data that may have been previously written.

For a write operation (byte or page write) to be completed,  $\overline{CS}$  can only be brought HIGH after bit 0 of the last data byte to be written is clocked in. If it is brought HIGH at any other time, the write operation will not be completed (Figure 8).

To write to the status register, the WRSR instruction is followed by the data to be written (Figure 9). Data bits 5, 6 and 7 must be "0".

## Read Status Operation

If there is not a nonvolatile write in progress, the read status instruction returns the block lock setting from the status register which contains the watchdog timer bits WD1, WD0, and the block lock bits IDL2-IDL0 (Figure 6). The block lock bits define the block lock condition (Table 1). The watchdog timer bits set the operation of the watchdog timer (Table 2). The other bits are reserved and will return '0' when read. See Figure 6.

During an internal nonvolatile write operation, the Read Status Instruction returns a HIGH on SO in the first bit following the RDSR instruction (the MSB). The remaining bits in the output status byte are undefined. Repeated Read Status Instructions return the MSB as a '1' until the nonvolatile write cycle is complete. When the nonvolatile write cycle is completed, the RDSR instruction returns a '0' in the MSB position with the remaining bits of the status register undefined. Subsequent RDSR instructions return the Status Register Contents. See Figure 10.

## RESET Operation

The  $\overline{RESET}$  output is designed to go LOW whenever  $V_{CC}$  has dropped below the minimum trip point and/or the watchdog timer has reached its programmable time out limit.

The  $\overline{RESET}$  output is an open drain output and requires a pull up resistor.

## Operational Notes

The device powers-up in the following state:

- The device is in the low power standby state.
- A HIGH to LOW transition on  $\overline{CS}$  is required to enter an active state and receive an instruction.
- SO pin is high impedance.
- The write enable latch is reset.
- Reset signal is active for  $t_{PURST}$ .

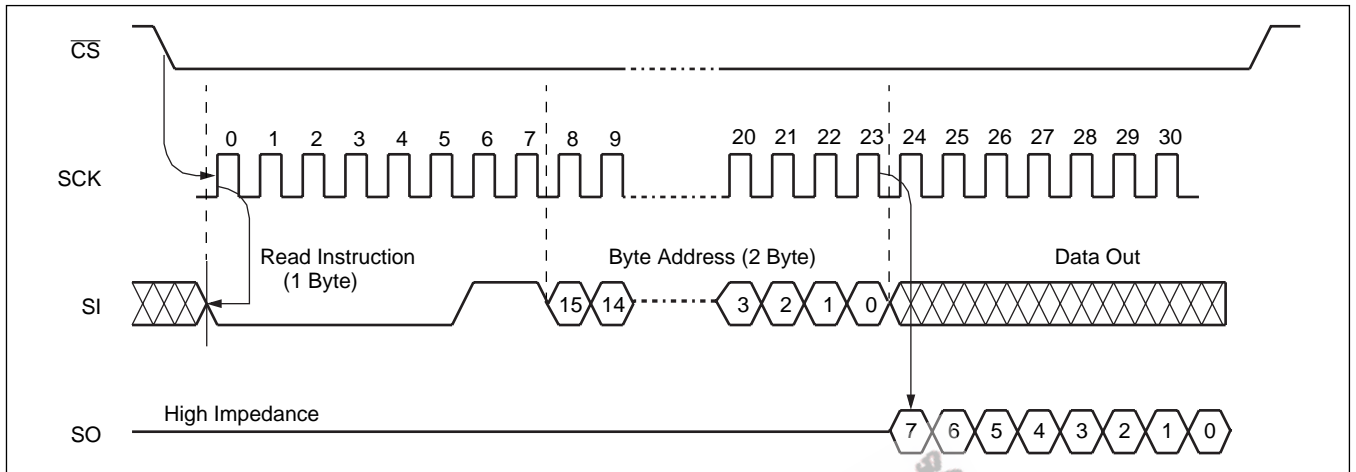
## Data Protection

The following circuitry has been included to prevent inadvertent writes:

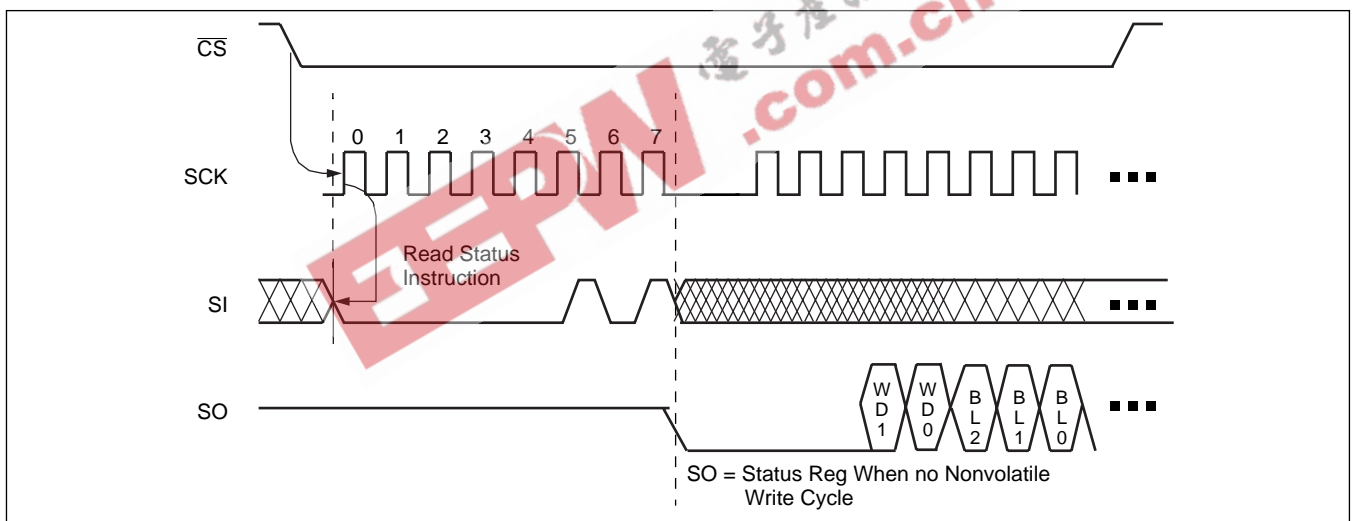
- A WREN instruction must be issued to set the write enable latch.
- $\overline{CS}$  must come HIGH at the proper clock count in order to start a nonvolatile write cycle.
- When  $V_{CC}$  is below  $V_{TRIP}$ , communications to the device are inhibited.

# X5083

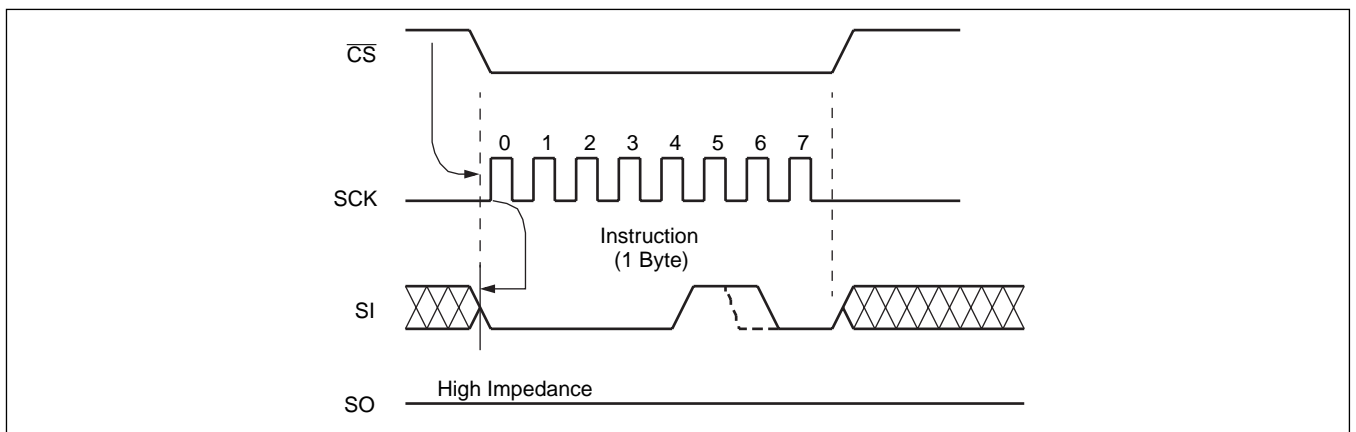
**Figure 5. Read Operation Sequence**



**Figure 6. Read Status Operation Sequence**



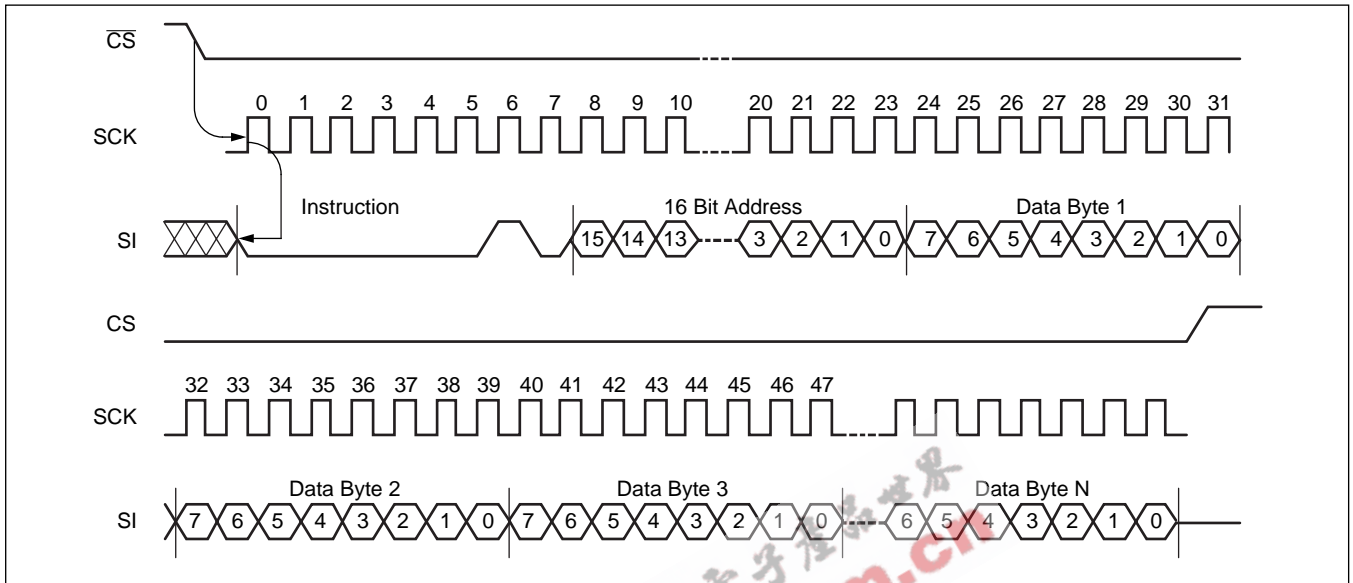
**Figure 7. WREN/WRDI Sequence**



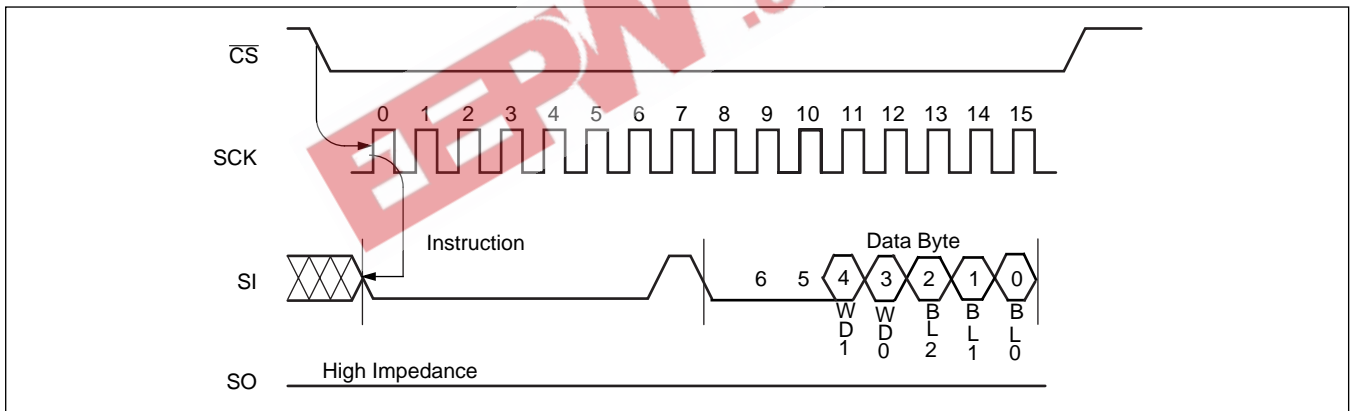


# X5083

**Figure 8. EEPROM Array Write Sequence**

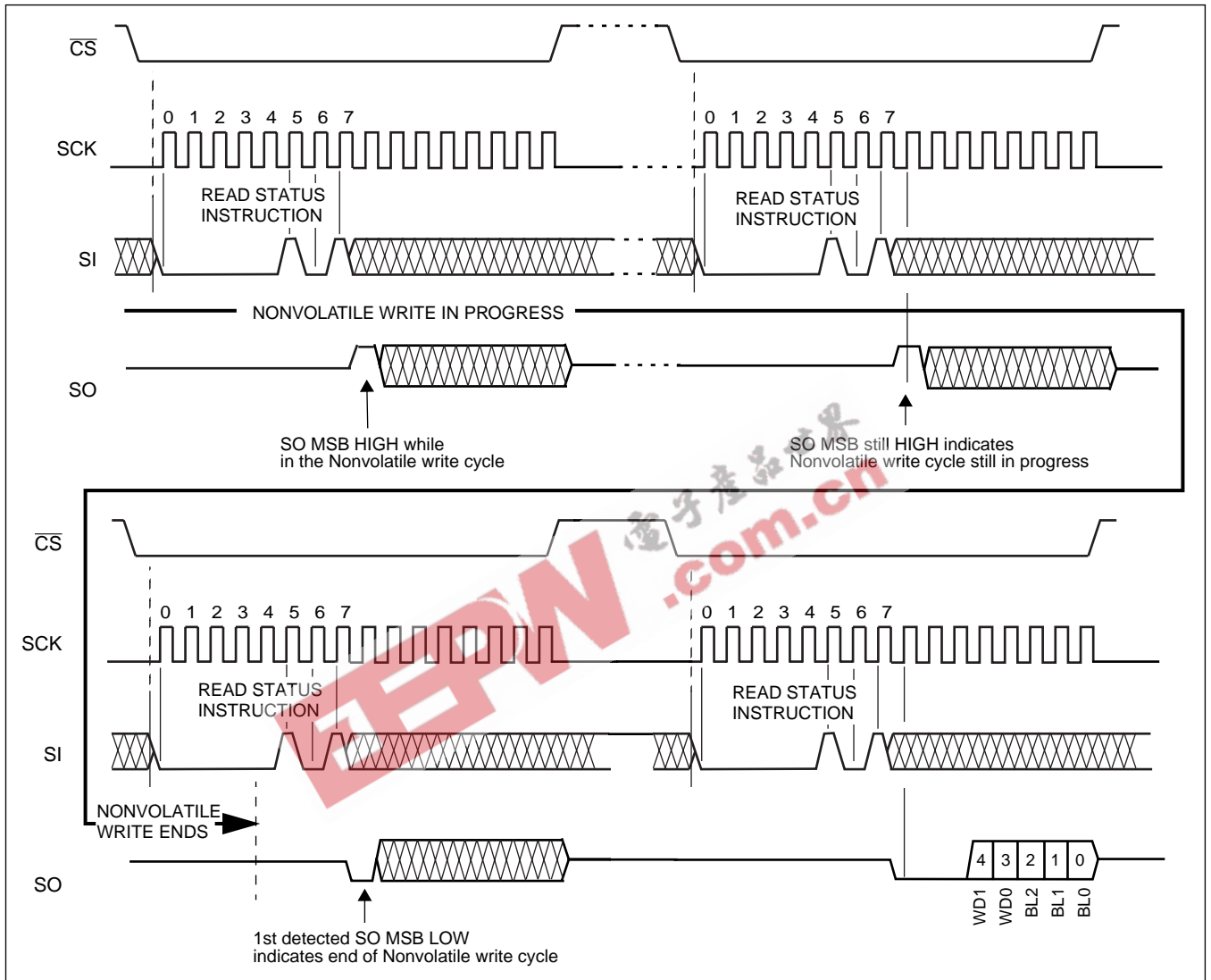


**Figure 9. Status Register Write Sequence**



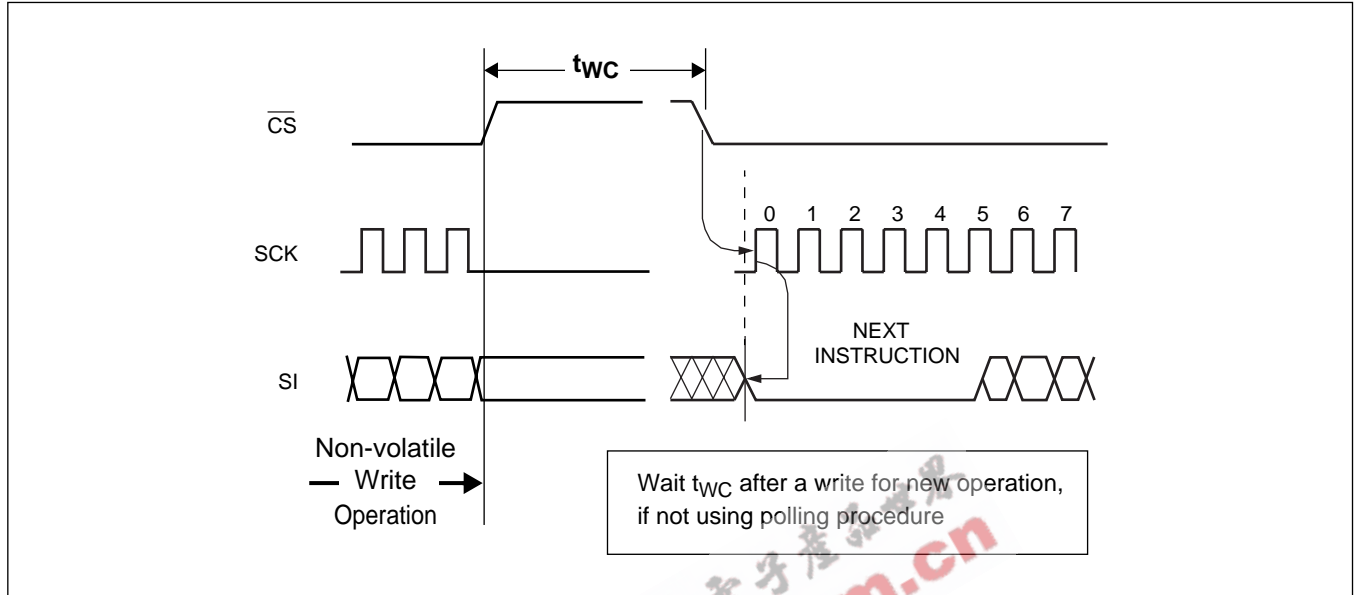
# X5083

Figure 10. Read Nonvolatile Write Status



# X5083

Figure 11. End of Nonvolatile Write (no Polling)



## SYMBOL TABLE

WAVEFORM	INPUTS	OUTPUTS
	Must be steady	Will be steady
	May change from LOW to HIGH	Will change from LOW to HIGH
	May change from HIGH to LOW	Will change from HIGH to LOW
	Don't Care: Changes Allowed	Changing: State Not Known
	N/A	Center Line is High Impedance

# X5083

## ABSOLUTE MAXIMUM RATINGS

Temperature under bias ..... -65°C to +135°C  
 Storage temperature ..... -65°C to +150°C  
 Voltage on any pin with  
 respect to  $V_{SS}$  ..... -1.0V to +7V  
 D.C. output current ..... 5mA  
 Lead temperature (soldering, 10 seconds)..... 300°C

## COMMENT

Stresses above those listed under “Absolute Maximum Ratings” may cause permanent damage to the device. This is a stress rating only; the functional operation of the device (at these or any other conditions above those listed in the operational sections of this specification) is not implied. Exposure to absolute maximum rating conditions for extended periods may affect device reliability.

## RECOMMENDED OPERATING CONDITIONS

Temperature	Min.	Max.
Commercial	0°C	70°C
Industrial	-40°C	+85°C

Voltage Option	Limits
-2.7	2.7V to 5.5V
Blank	4.5V-5.5V

## D.C. OPERATING CHARACTERISTICS (Over the recommended operating conditions unless otherwise specified.)

Symbol	Parameter	Limits			Unit	Test Conditions
		Min.	Typ.	Max.		
$I_{CC1}$	$V_{CC}$ write current (active)			5	mA	$SCK = V_{CC} \times 0.1 / V_{CC} \times 0.9$ @ 5MHz, SO = Open
$I_{CC2}$	$V_{CC}$ read current (active)			0.4	mA	$SCK = V_{CC} \times 0.1 / V_{CC} \times 0.9$ @ 5MHz, SO = Open
$I_{SB1}$	$V_{CC}$ standby current WDT = OFF			1	$\mu$ A	$\overline{CS} = V_{CC}$ , $V_{IN} = V_{SS}$ or $V_{CC}$ , $V_{CC} = 5.5V$
$I_{SB2}$	$V_{CC}$ standby current WDT = ON			50	$\mu$ A	$\overline{CS} = V_{CC}$ , $V_{IN} = V_{SS}$ or $V_{CC}$ , $V_{CC} = 5.5V$
$I_{SB3}$	$V_{CC}$ standby current WDT = ON			20	$\mu$ A	$\overline{CS} = V_{CC}$ , $V_{IN} = V_{SS}$ or $V_{CC}$ , $V_{CC} = 3.6V$
$I_{LI}$	Input leakage current		0.1	10	$\mu$ A	$V_{IN} = V_{SS}$ to $V_{CC}$
$I_{LO}$	Output leakage current		0.1	10	$\mu$ A	$V_{OUT} = V_{SS}$ to $V_{CC}$
$V_{IL}^{(1)}$	Input LOW voltage	-0.5		$V_{CC} \times 0.3$	V	
$V_{IH}^{(1)}$	Input HIGH voltage	$V_{CC} \times 0.7$		$V_{CC} + 0.5$	V	
$V_{OL1}$	Output LOW voltage			0.4	V	$V_{CC} > 3.3V$ , $I_{OL} = 2.1mA$
$V_{OL2}$	Output LOW voltage			0.4	V	$2V < V_{CC} \leq 3.3V$ , $I_{OL} = 1mA$
$V_{OL3}$	Output LOW voltage			0.4	V	$V_{CC} \leq 2V$ , $I_{OL} = 0.5mA$
$V_{OH1}$	Output HIGH voltage	$V_{CC} - 0.8$			V	$V_{CC} > 3.3V$ , $I_{OH} = -1.0mA$
$V_{OH2}$	Output HIGH voltage	$V_{CC} - 0.4$			V	$2V < V_{CC} \leq 3.3V$ , $I_{OH} = -0.4mA$
$V_{OH3}$	Output HIGH voltage	$V_{CC} - 0.2$			V	$V_{CC} \leq 2V$ , $I_{OH} = -0.25mA$
$V_{OLRS}$	Reset output LOW voltage			0.4	V	$I_{OL} = 1mA$

# X5083

## POWER-UP TIMING

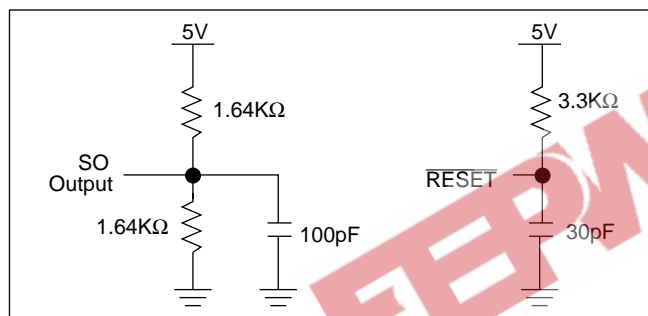
Symbol	Parameter	Min.	Max.	Unit
$t_{PUR}^{(2)}$	Power-up to read operation		1	ms
$t_{PUW}^{(2)}$	Power-up to write operation		5	ms

**CAPACITANCE**  $T_A = +25^\circ\text{C}$ ,  $f = 1\text{MHz}$ ,  $V_{CC} = 5\text{V}$ .

Symbol	Test	Max.	Unit	Conditions
$C_{OUT}^{(2)}$	Output capacitance (SO, $\overline{\text{RESET}}$ , RESET)	8	pF	$V_{OUT} = 0\text{V}$
$C_{IN}^{(2)}$	Input capacitance (SCK, SI, $\overline{\text{CS}}$ , WP)	6	pF	$V_{IN} = 0\text{V}$

**Notes:** (1)  $V_{IL}$  min. and  $V_{IH}$  max. are for reference only and are not tested.  
 (2) This parameter is periodically sampled and not 100% tested.

## EQUIVALENT A.C. LOAD CIRCUIT AT 5V $V_{CC}$



## A.C. TEST CONDITIONS

Input pulse levels	$V_{CC} \times 0.1$ to $V_{CC} \times 0.9$
Input rise and fall times	10ns
Input and output timing level	$V_{CC} \times 0.5$

## A.C. CHARACTERISTICS (Over recommended operating conditions, unless otherwise specified)

### Data Input Timing

Symbol	Parameter	2.7V–5.5V		Unit
		Min.	Max.	
$f_{SCK}$	Clock frequency	0	3.3	MHz
$t_{CYC}$	Cycle time	300		ns
$t_{LEAD}$	$\overline{\text{CS}}$ lead time	150		ns
$t_{LAG}$	$\overline{\text{CS}}$ lag time	150		ns
$t_{WH}$	Clock HIGH time	130		ns
$t_{WL}$	Clock LOW time	130		ns
$t_{SU}$	Data setup time	20		ns
$t_H$	Data hold time	20		ns
$t_{RI}^{(3)}$	Input rise time		2	$\mu\text{s}$
$t_{FI}^{(3)}$	Input fall time		2	$\mu\text{s}$
$t_{CS}$	$\overline{\text{CS}}$ deselect time	100		ns
$t_{WC}^{(4)}$	Write cycle time		10	ms

# X5083

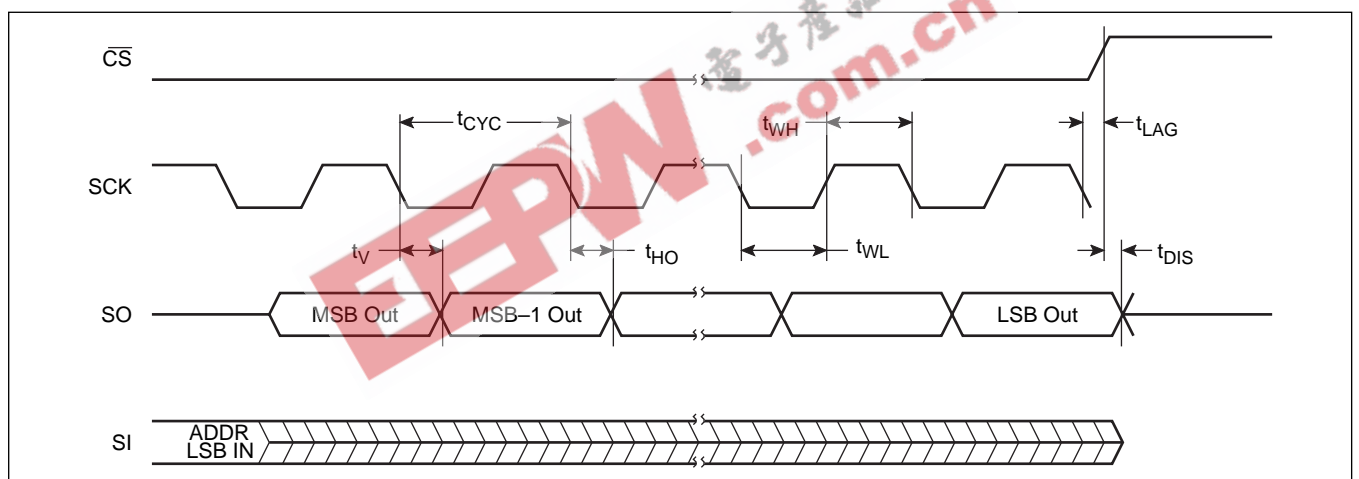
## Data Output Timing

Symbol	Parameter	2.7V–5.5V		Unit
		Min.	Max.	
$f_{SCK}$	Clock frequency	0	3.3	MHz
$t_{DIS}$	Output disable time		150	ns
$t_V$	Output valid from clock low		130	ns
$t_{HO}$	Output hold time	0		ns
$t_{RO}^{(3)}$	Output rise time		50	ns
$t_{FO}^{(3)}$	Output fall time		50	ns

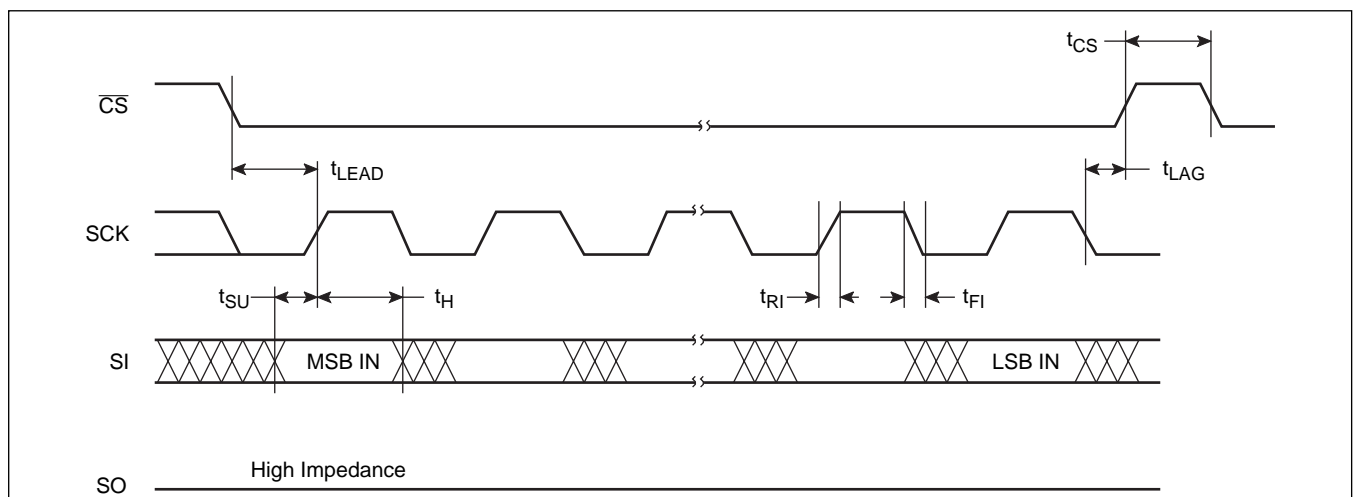
**Notes:** (3) This parameter is periodically sampled and not 100% tested.

(4)  $t_{WC}$  is the time from the rising edge of  $\overline{CS}$  after a valid write sequence has been sent to the end of the self-timed internal nonvolatile write cycle.

## Serial Output Timing

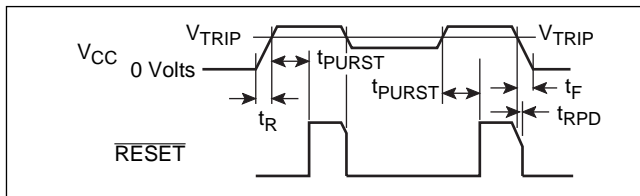


## Serial Input Timing



# X5083

## Power-Up and Power-Down Timing

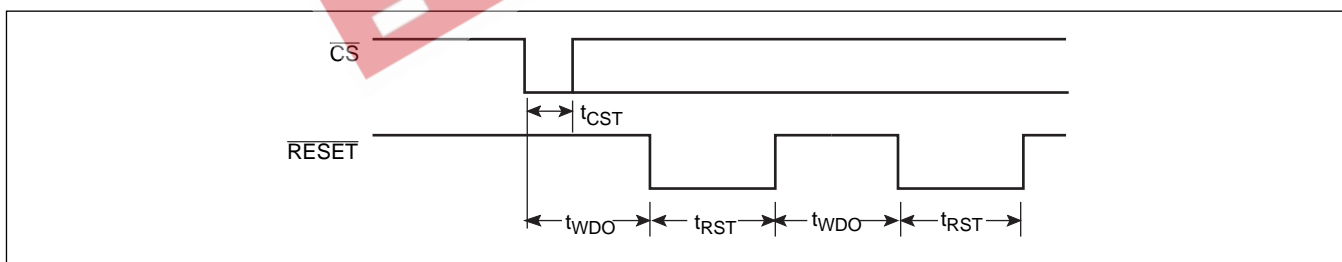


## RESET Output Timing

Symbol	Parameter	Min.	Typ.	Max.	Unit
$V_{TRIP}$	Reset trip point voltage, X5083PT-4.5A (See note 6)	4.5	4.63	4.75	V
	Reset trip point voltage, X5083PT	4.25	4.38	4.5	
	Reset trip point voltage, X5083PT-2.7A	2.85	2.93	3.00	
	Reset trip point voltage, X5083PT-2.7	2.55	2.63	2.7	
$t_{PURST}$	Power-up reset time out	100	200	280	ms
$t_{RPD}^{(5)}$	$V_{CC}$ detect to reset/output			500	ns
$t_F^{(5)}$	$V_{CC}$ fall time	0.1			ns
$t_R^{(5)}$	$V_{CC}$ rise time	0.1			ns
$V_{RVALID}$	Reset valid $V_{CC}$	1			V

**Note:** (5) This parameter is periodically sampled and not 100% tested.  
 (6) PT= Package/Temperature

## CS vs. RESET Timing

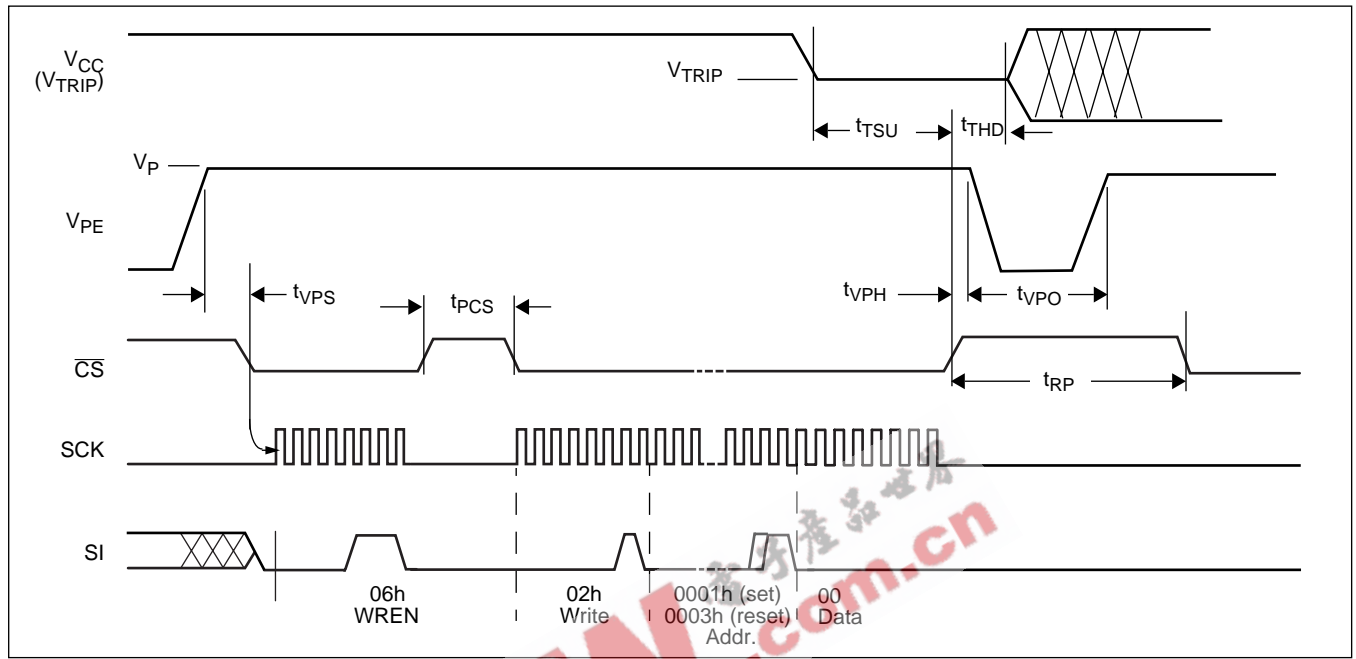


## RESET Output Timing

Symbol	Parameter	Min.	Typ.	Max.	Unit
$t_{WDO}$	Watchdog time out period, WD1 = 1, WD0 = 1 (default)		OFF		
	WD1 = 1, WD0 = 0	100	200	300	ms
	WD1 = 0, WD0 = 1	450	600	800	ms
	WD1 = 0, WD0 = 0	1	1.4	2	sec
$t_{CST}$	$\overline{CS}$ pulse width to reset the watchdog	400			ns
$t_{RST}$	Reset time out	100	200	300	ms

# X5083

## V<sub>TRIP</sub> Programming Timing Diagram



## V<sub>TRIP</sub> Programming Parameters

Parameter	Description	Min.	Max.	Unit
t <sub>VPS</sub>	V <sub>TRIP</sub> program enable voltage setup time	1		μs
t <sub>VPH</sub>	V <sub>TRIP</sub> program enable voltage hold time	1		μs
t <sub>PCS</sub>	V <sub>TRIP</sub> programming $\overline{CS}$ inactive time	1		μs
t <sub>TSU</sub>	V <sub>TRIP</sub> setup time	1		μs
t <sub>THD</sub>	V <sub>TRIP</sub> hold (stable) time	10		ms
t <sub>WC</sub>	V <sub>TRIP</sub> write cycle time		10	ms
t <sub>VPO</sub>	V <sub>TRIP</sub> program enable voltage off time (between successive adjustments)	0		μs
t <sub>RP</sub>	V <sub>TRIP</sub> program recovery period (between successive adjustments)	10		ms
V <sub>P</sub>	Programming voltage	15	18	V
V <sub>TRAN</sub>	V <sub>TRIP</sub> programmed voltage range	2.0	5.0	V
V <sub>tv</sub>	V <sub>TRIP</sub> program variation after programming (0-75°C). (programmed at 25°C)	-25	+25	mV

Note 1: V<sub>TRIP</sub> programming parameters are periodically sampled and are not 100% tested.

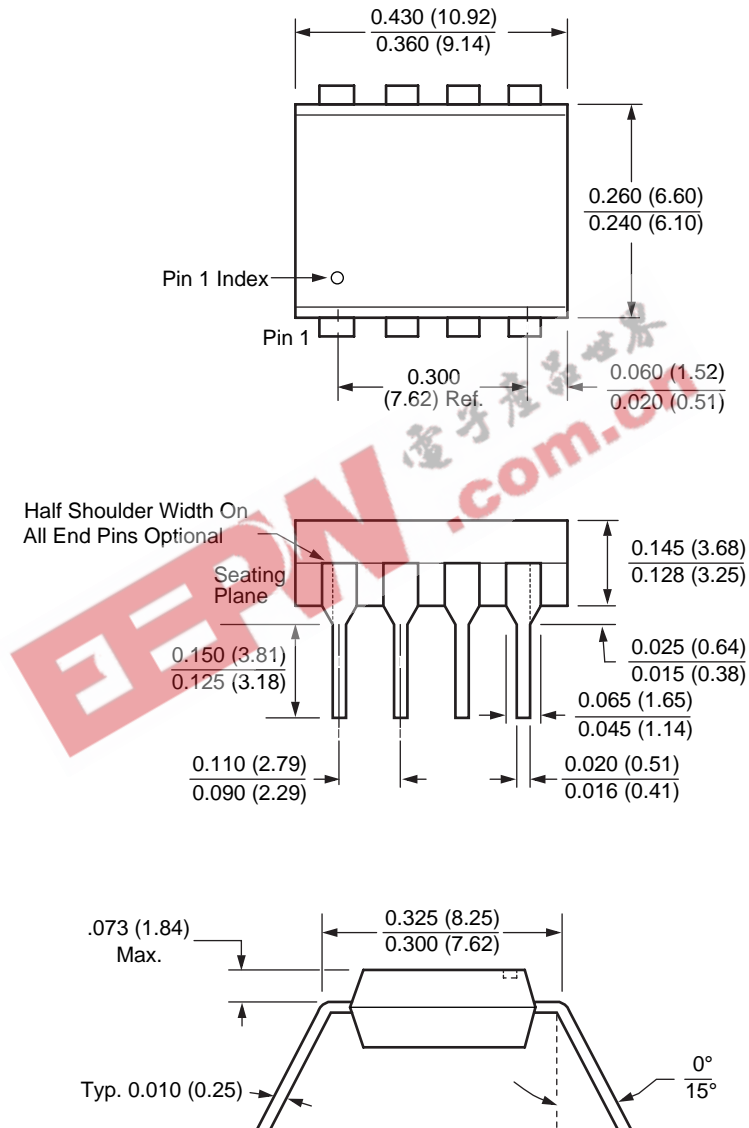
2: For custom V<sub>TRIP</sub> settings, Contact Factory.



# X5083

## PACKAGING INFORMATION

### 8-Lead Plastic Dual In-Line Package Type P



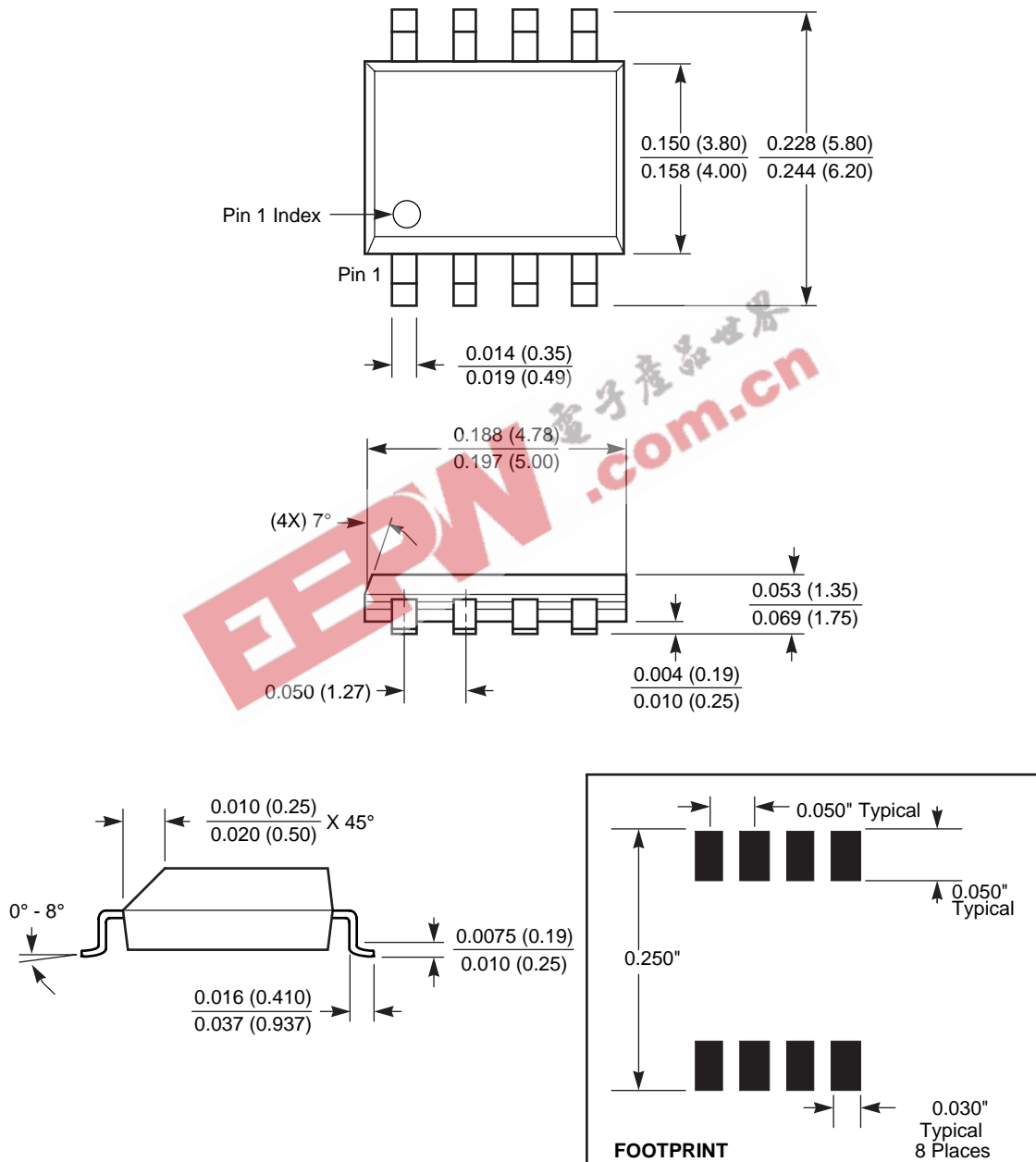
**NOTE:**

1. ALL DIMENSIONS IN INCHES (IN PARENTHESES IN MILLIMETERS)
2. PACKAGE DIMENSIONS EXCLUDE MOLDING FLASH

# X5083

## PACKAGING INFORMATION

### 8-Lead Plastic Small Outline Gull Wing Package Type S

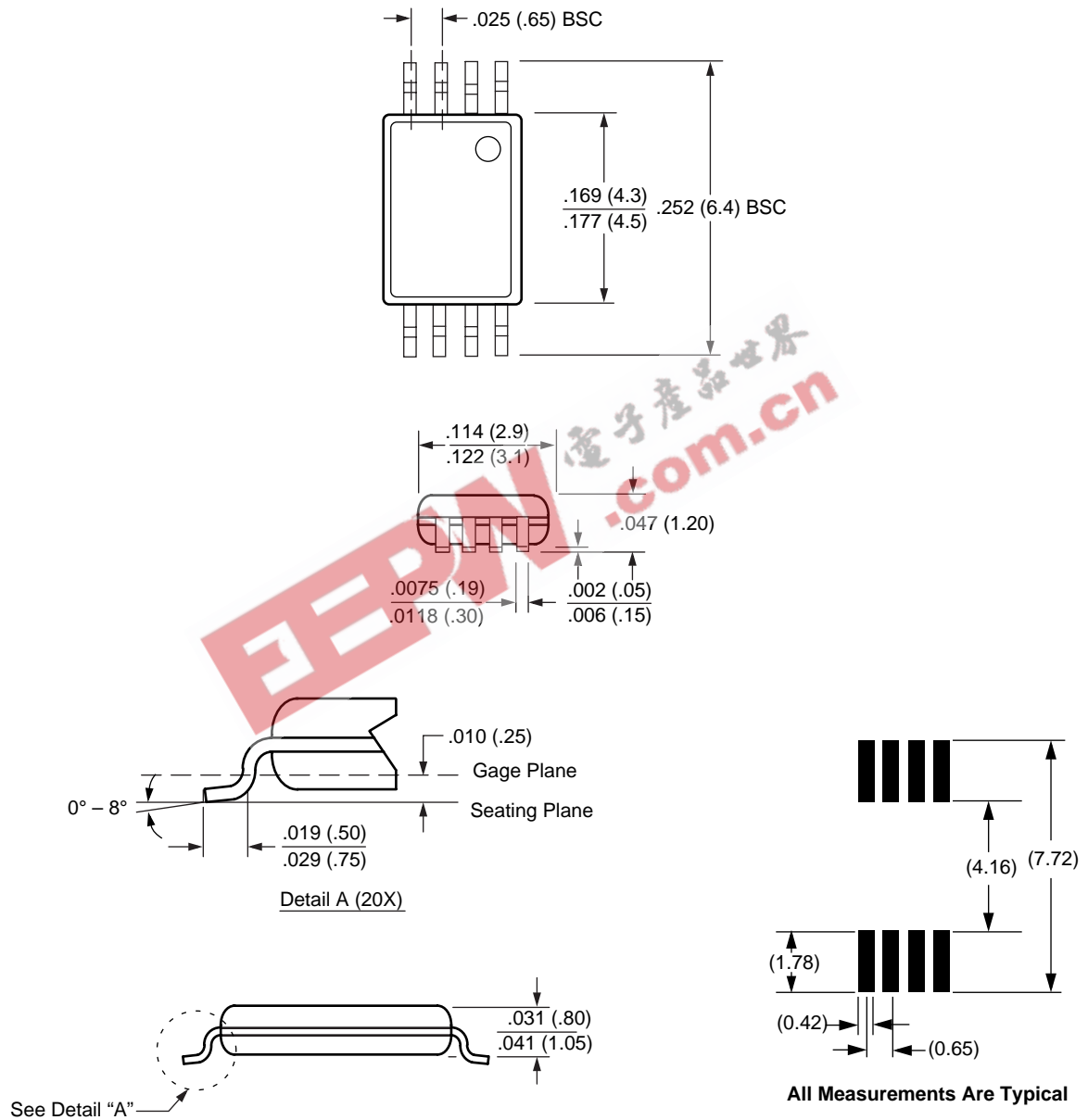


NOTE: ALL DIMENSIONS IN INCHES (IN PARENTHESES IN MILLIMETERS)

# X5083

## PACKAGING INFORMATION

### 8-Lead Plastic, TSSOP, Package Type V



NOTE: ALL DIMENSIONS IN INCHES (IN PARENTHESES IN MILLIMETERS)

# X5083

## Ordering Information

V <sub>CC</sub> Range	V <sub>TRIP</sub> Range	Package	Operating Temperature Range	Part Number $\overline{\text{RESET}}$ (Active LOW)
4.5-5.5V	4.5.4.75	8-Pin PDIP	0–70°C	X5083P-4.5A
		8L SOIC	0–70°C	X5083S8-4.5A
			-40–85°C	X5083S8I-4.5A
4.5-5.5V	4.25.4.5	8-Pin PDIP	0–70°C	X5083P
		8L SOIC	0–70°C	X5083S8
			-40–85°C	X5083S8I
		8L TSSOP	0–70°C	X5083V8
2.7-5.5V	2.85-3.0	8L SOIC	0–70°C	X5083S8-2.7A
			-40–85°C	X5083S8I-2.7A
		8L TSSOP	0–70°C	X5083V8-2.7A
2.7-5.5V	2.55-2.7	8L SOIC	0–0°C	X5083S8-2.7
			-40–85°C	X5083S8I-2.7
		8L TSSOP	0–70°C	X5083V8-2.7

## Part Mark Convention

### 8-Lead TSSOP

EYWW  
XXXXX

583F = 2.7 to 5.5V, 0 to +70°C, V<sub>TRIP</sub> = 2.55-2.7V  
 583G = 2.7 to 5.5V, -40 to +85°C, V<sub>TRIP</sub> = 2.55-2.7V  
 583AN = 2.7 to 5.5V, 0 to +70°C, V<sub>TRIP</sub> = 2.85-3.0V  
 583AP = 2.7 to 5.5V, -40 to +85°C, V<sub>TRIP</sub> = 2.85-3.0V  
 X583 = 4.5 to 5.5V, 0 to +70°C, V<sub>TRIP</sub> = 4.25-4.5V  
 583I = 4.5 to 5.5V, -40 to +85°C, V<sub>TRIP</sub> = 4.25-4.5V  
 583AL = 4.5 to 5.5V, 0 to +70°C, V<sub>TRIP</sub> = 4.5-4.75V  
 583AM = 4.5 to 5.5V, -40 to +85°C, V<sub>TRIP</sub> = 4.5-4.75V

### 8-Lead SOIC/PDIP

X5083X  
XX

F = 2.7 to 5.5V, 0 to +70°C, V<sub>TRIP</sub> = 2.55-2.7V  
 G = 2.7 to 5.5V, -40 to +85°C, V<sub>TRIP</sub> = 2.55-2.7V  
 AN = 2.7 to 5.5V, 0 to +70°C, V<sub>TRIP</sub> = 2.85-3.0V  
 AP = 2.7 to 5.5V, -40 to +85°C, V<sub>TRIP</sub> = 2.85-3.0V  
 Blank = 4.5 to 5.5V, 0 to +70°C, V<sub>TRIP</sub> = 4.25-4.5V  
 I = 4.5 to 5.5V, -40 to +85°C, V<sub>TRIP</sub> = 4.25-4.5V  
 AL = 4.5 to 5.5V, 0 to +70°C, V<sub>TRIP</sub> = 4.5-4.75V  
 AM = 4.5 to 5.5V, -40 to +85°C, V<sub>TRIP</sub> = 4.5-4.75V

YWW = year/work week device is packaged.



---

## LIMITED WARRANTY

©Xicor, Inc. 2002 Patents Pending

Devices sold by Xicor, Inc. are covered by the warranty and patent indemnification provisions appearing in its Terms of Sale only. Xicor, Inc. makes no warranty, express, statutory, implied, or by description regarding the information set forth herein or regarding the freedom of the described devices from patent infringement. Xicor, Inc. makes no warranty of merchantability or fitness for any purpose. Xicor, Inc. reserves the right to discontinue production and change specifications and prices at any time and without notice.

Xicor, Inc. assumes no responsibility for the use of any circuitry other than circuitry embodied in a Xicor, Inc. product. No other circuits, patents, or licenses are implied.

## COPYRIGHTS AND TRADEMARKS

Xicor, Inc., the Xicor logo, E<sup>2</sup>POT, XDCCP, XBGA, AUTOSTORE, Direct Write cell, Concurrent Read-Write, PASS, MPS, PushPOT, Block Lock, IdentiPROM, E<sup>2</sup>KEY, X24C16, SecureFlash, and SerialFlash are all trademarks or registered trademarks of Xicor, Inc. All other brand and product names mentioned herein are used for identification purposes only, and are trademarks or registered trademarks of their respective holders.

## U.S. PATENTS

Xicor products are covered by one or more of the following U.S. Patents: 4,326,134; 4,393,481; 4,404,475; 4,450,402; 4,486,769; 4,488,060; 4,520,461; 4,533,846; 4,599,706; 4,617,652; 4,668,932; 4,752,912; 4,829,482; 4,874,967; 4,883,976; 4,980,859; 5,012,132; 5,003,197; 5,023,694; 5,084,667; 5,153,880; 5,153,691; 5,161,137; 5,219,774; 5,270,927; 5,324,676; 5,434,396; 5,544,103; 5,587,573; 5,835,409; 5,977,585. Foreign patents and additional patents pending.

## LIFE RELATED POLICY

In situations where semiconductor component failure may endanger life, system designers using this product should design the system with appropriate error detection and correction, redundancy and back-up features to prevent such an occurrence.

Xicor's products are not authorized for use in critical components in life support devices or systems.

1. Life support devices or systems are devices or systems which, (a) are intended for surgical implant into the body, or (b) support or sustain life, and whose failure to perform, when properly used in accordance with instructions for use provided in the labeling, can be reasonably expected to result in a significant injury to the user.
2. A critical component is any component of a life support device or system whose failure to perform can be reasonably expected to cause the failure of the life support device or system, or to affect its safety or effectiveness.