

### Single Digitally Controlled (XDCP™) Potentiometer

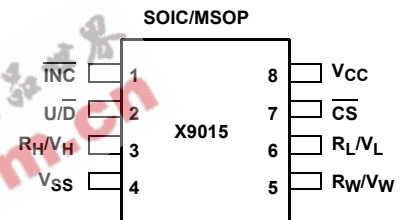
The Intersil X9015 is a 32 tap potentiometer that is volatile. The device consists of a string of 31 resistors that can be programmed to connect the  $R_W/V_W$  wiper output with any of the nodes between the connecting resistors. The connection point of the wiper is determined by information communicated to the device on the 3-wire port. The 3-wire port changes the tap position by a falling edge on the increment pin. The direction the wiper moves is determined by the state of the up/down pin. The wiper position at power up is Tap #15.

The X9015 can be used in a wide variety of applications that require a digitally controlled variable resistor to set analog values.

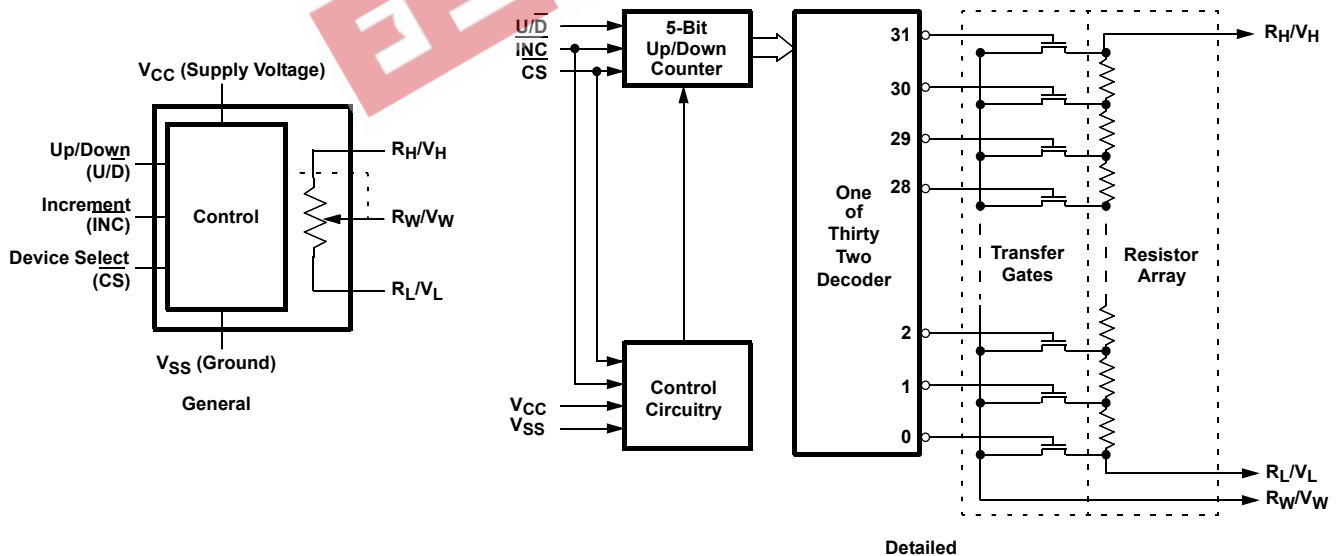
### Features

- 32 taps
- Three-wire up/down serial interface
- $V_{CC} = 2.7V-5V$
- Operating  $I_{CC} = 50\mu A$  max.
- Standby current =  $1\mu A$  max.
- $R_{TOTAL} = 10k\Omega, 50k\Omega, 100k\Omega$
- Packages SOIC-8, MSOP-8
- Pb-free plus anneal available (RoHS compliant)

### Pinout



### Block Diagram



## X9015

### Ordering Information

| PART NUMBER            | PART MARKING | V <sub>CC</sub> LIMITS (V) | R <sub>TOTAL</sub> (kΩ) | TEMPERATURE RANGE (°C) | PACKAGE             |
|------------------------|--------------|----------------------------|-------------------------|------------------------|---------------------|
| X9015WS8*              |              | 5 ±10                      | 10                      | 0 to 70                | 8 Ld SOIC           |
| X9015WS8Z* (Note)      | X9015W Z     |                            |                         | 0 to 70                | 8 Ld SOIC (Pb-free) |
| X9015UM8*              | ABB          |                            | 50                      | 0 to 70                | 8 Ld MSOP           |
| X9015UM8Z* (Note)      | DCF          |                            |                         | 0 to 70                | 8 Ld MSOP (Pb-free) |
| X9015UM8I*             | ABD          |                            |                         | -40 to 85              | 8 Ld MSOP           |
| X9015UM8IZ* (Note)     | DCD          |                            |                         | -40 to 85              | 8 Ld MSOP (Pb-Free) |
| X9015US8*              | X9015U       |                            |                         | 0 to 70                | 8 Ld SOIC           |
| X9015US8Z* (Note)      | X9015U Z     |                            |                         | 0 to 70                | 8 Ld SOIC (Pb-free) |
| X9015US8I*             | X9015U I     |                            |                         | -40 to 85              | 8 Ld SOIC           |
| X9015US8IZ* (Note)     | X9015U Z I   |                            |                         | -40 to 85              | 8 Ld SOIC (Pb-free) |
| X9015WS8-2.7*          | X9015W F     | 2.7-5.5                    | 10                      | 0 to 70                | 8 Ld SOIC           |
| X9015WS8Z-2.7* (Note)  | X9015W Z F   |                            |                         | 0 to 70                | 8 Ld SOIC (Pb-free) |
| X9015TS8-2.7           | X9015T F     |                            | 50                      | 0 to 70                | 8 Ld SOIC           |
| X9015UM8-2.7*          | ABC          |                            |                         | 0 to 70                | 8 Ld MSOP           |
| X9015UM8Z-2.7* (Note)  |              |                            |                         | 0 to 70                | 8 Ld MSOP (Pb-free) |
| X9015UM8I-2.7*         | ABE          |                            |                         | -40 to 85              | 8 Ld MSOP           |
| X9015UM8IZ-2.7* (Note) | DCE          |                            |                         | -40 to 85              | 8 Ld MSOP (Pb-free) |
| X9015US8-2.7*          | X9015U F     |                            |                         | 0 to 70                | 8 Ld SOIC           |
| X9015US8Z-2.7* (Note)  | X9015U Z F   |                            |                         | 0 to 70                | 8 Ld SOIC (Pb-free) |
| X9015US8I-2.7*         | X9015U G     |                            |                         | -40 to 85              | 8 Ld SOIC           |
| X9015US8IZ-2.7* (Note) | X9015U Z G   |                            |                         | -40 to 85              | 8 Ld SOIC (Pb-free) |

\* Add "T1" suffix for tape and reel.

NOTE: Intersil Pb-free plus anneal products employ special Pb-free material sets; molding compounds/die attach materials and 100% matte tin plate termination finish, which are RoHS compliant and compatible with both SnPb and Pb-free soldering operations. Intersil Pb-free products are MSL classified at Pb-free peak reflow temperatures that meet or exceed the Pb-free requirements of IPC/JEDEC J STD-020.

## Pin Descriptions

### $R_H/V_H$ and $R_L/V_L$

The high ( $R_H/V_H$ ) and low ( $R_L/V_L$ ) terminals of the X9015 are equivalent to the fixed terminals of a mechanical potentiometer. The minimum voltage is  $V_{SS}$  and the maximum is  $V_{CC}$ . The terminology of  $R_L/V_L$  and  $R_H/V_H$  references the relative position of the terminal in relation to wiper movement direction selected by the  $U/\bar{D}$  input, and not the voltage potential on the terminal.

### $R_W/V_W$

$R_W/V_W$  is the wiper terminal and is equivalent to the movable terminal of a mechanical potentiometer. The position of the wiper within the array is determined by the control inputs. The wiper terminal series resistance is typically  $200\Omega$  at  $V_{CC}=5V$ . At power up the wiper position is at Tap #15. ( $V_L/R_L=Tap \#0$ ).

### Up/Down ( $U/\bar{D}$ )

The  $U/\bar{D}$  input controls the direction of the wiper movement and whether the tap position is incremented or decremented.

### Increment ( $\bar{INC}$ )

The  $\bar{INC}$  input is negative-edge triggered. Toggling  $\bar{INC}$  will move the wiper and either increment or decrement the counter in the direction indicated by the logic level on the  $U/\bar{D}$  input.

### Chip Select ( $\bar{CS}$ )

The device is selected when the  $\bar{CS}$  input is LOW. When  $\bar{CS}$  is returned HIGH while the  $\bar{INC}$  input is also HIGH the X9015 will be placed in the low power standby mode until the device is selected once again.

## Pin Names

| SYMBOL      | DESCRIPTION               |
|-------------|---------------------------|
| $R_H/V_H$   | High terminal             |
| $R_W/V_W$   | Wiper terminal            |
| $R_L/V_L$   | Low terminal              |
| $V_{SS}$    | Ground                    |
| $V_{CC}$    | Supply voltage            |
| $U/\bar{D}$ | Up/Down control input     |
| $\bar{INC}$ | Increment control input   |
| $\bar{CS}$  | Chip select control input |

## Principles Of Operation

There are two sections of the X9015: the input control, counter and decode section; and the resistor array. The input control section operates just like an up/down counter. The output of this counter is decoded to turn on a single electronic switch connecting a point on the resistor array to the wiper output. The resistor array is comprised of 31 individual resistors connected in series.

The wiper, when at either fixed terminal, acts like its mechanical equivalent and does not move beyond the last position. That is, the counter does not wrap around when clocked to either extreme.

The electronic switches on the device operate in a "make before break" mode when the wiper changes tap positions. If the wiper is moved several positions, multiple taps are connected to the wiper for  $t_{1W}$  (INC to  $V_W$  change). The  $R_{TOTAL}$  value for the device can temporarily be reduced by a significant amount if the wiper is moved several positions.

When the device is powered-down, the wiper position is lost. When power is restored, the wiper is set to Tap #15.

## Instructions and Programming

The  $\bar{INC}$ ,  $U/\bar{D}$  and  $\bar{CS}$  inputs control the movement of the wiper along the resistor array. With  $\bar{CS}$  set LOW the device is selected and enabled to respond to the  $U/\bar{D}$  and  $\bar{INC}$  inputs. HIGH to LOW transitions on  $\bar{INC}$  will increment or decrement (depending on the state of the  $U/\bar{D}$  input) a five bit counter. The output of this counter is decoded to select one of thirty two wiper positions along the resistive array.

The system may select the X9015, move the wiper and deselect the device. The new wiper position will be maintained until changed by the system or until a power-up/down cycle.

The state of  $U/\bar{D}$  may be changed while  $\bar{CS}$  remains LOW. This allows the host system to enable the device and then move the wiper up and down until the proper trim is attained.

## Mode Selection

| $\bar{CS}$ | $\bar{INC}$ | $U/\bar{D}$ | MODE         |
|------------|-------------|-------------|--------------|
| L          |             | H           | Wiper up     |
| L          |             | L           | Wiper down   |
|            | H           | X           | Standby mode |
| L          | L           | X           | Normal mode  |

## Symbol Table

| WAVEFORM | INPUTS                      | OUTPUTS                       |
|----------|-----------------------------|-------------------------------|
|          | Must be steady              | Will be steady                |
|          | May change from Low to High | Will change from Low to High  |
|          | May change from High to Low | Will change from High to Low  |
|          | Don't Care: Changes Allowed | Changing: State Not Known     |
|          | N/A                         | Center Line is High Impedance |

## X9015

### Absolute Maximum Ratings

|  |                 |
|--|-----------------|
| Temperature under bias   | -65°C to +135°C |
| Storage temperature  | -65°C to +150°C |
| Voltage on CS, INC, U/D, V <sub>H</sub> , V <sub>L</sub> and V <sub>CC</sub> with respect to V <sub>SS</sub> | -1V to +7V      |
| $\Delta V =  V_H - V_L $   | .5V             |
| Lead temperature (soldering 10s)   | 300°C           |
| I <sub>W</sub> (10s)   | ±7.5mA          |

### Operating Conditions

|                                   |                |
|-----------------------------------|----------------|
| Temperature Range                 |                |
| Commercial                        | 0°C to +70°C   |
| Industrial                        | -40°C to +85°C |
| Supply Voltage (V <sub>CC</sub> ) |                |
| X9015                             | 5V±10%         |
| X9015-2.7                         | 2.7V to 5.5V   |

**CAUTION:** Stresses above those listed in "Absolute Maximum Ratings" may cause permanent damage to the device. This is a stress only rating and operation of the device at these or any other conditions above those indicated in the operational sections of this specification is not implied.

### Potentiometer Specifications

Over recommended operating conditions unless otherwise stated

| SYMBOL   | PARAMETER                                       | TEST CONDITIONS/NOTES                                   | MIN. | TYP.     | MAX.            | UNIT        |
|--|---|---|------|----------|-----------------|-------------|
| R <sub>TOTAL</sub>                             | End to End Resistance Variation                 |   | -20  |          | +20             | %           |
| V <sub>VH</sub>                                | V <sub>H</sub> /R <sub>H</sub> Terminal Voltage |   | 0    |          | V <sub>CC</sub> | V           |
| V <sub>VL</sub>                                | V <sub>L</sub> /R <sub>L</sub> Terminal Voltage |   | 0    |          | V <sub>CC</sub> | V           |
|  | Power Rating                                    | R <sub>TOTAL</sub> ≤ 1kΩ                                |      |          | 10              | mW          |
| R <sub>W</sub>                                 | Wiper Resistance                                | I <sub>W</sub> = 1mA, V <sub>CC</sub> = 5V              |      | 200      | 400             | Ω           |
| R <sub>W</sub>                                 | Wiper Resistance                                | I <sub>W</sub> = 1mA, V <sub>CC</sub> = 2.7V            |      | 400      | 1000            | Ω           |
| I <sub>W</sub>                                 | Wiper Current                                   |   | 3.75 |          | 3.75            | mA          |
|  | Noise   | Ref: 1kHz   |      | -120     |                 | dBV         |
|  | Resolution                                      |   |      | 3        |                 | %           |
|  | Absolute Linearity (Note 1)                     | V <sub>w(n)(actual)</sub> - V <sub>w(n)(expected)</sub> | -1   |          | +1              | MI (Note 3) |
|  | Relative Linearity (Note 2)                     | V <sub>w(n+1)</sub> - [V <sub>w(n)</sub> + MI]          | -0.2 |          | +0.2            | MI (Note 3) |
|  | R <sub>TOTAL</sub> Temperature Coefficient      |   |      |          | ±300            | ppm/°C      |
|  | Ratiometric Temperature Coefficient             |   |      |          | ±20             | ppm/°C      |
| C <sub>H</sub> /C <sub>L</sub> /C <sub>W</sub> | Potentiometer Capacitances                      | See circuit #3  |      | 10/10/25 |                 | pF          |

### Power Up and Down Requirements

There are no restrictions on the power-up or power-down conditions of V<sub>CC</sub> and the voltages applied to the potentiometer pins provided that V<sub>CC</sub> is always more positive than or equal to V<sub>H</sub>, V<sub>L</sub>, and V<sub>W</sub>, i.e., V<sub>CC</sub> ≥ V<sub>H</sub>, V<sub>L</sub>, V<sub>W</sub>. The V<sub>CC</sub> ramp rate spec is always in effect.

#### NOTES:

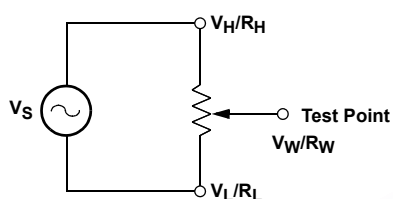
1. Absolute Linearity is utilized to determine actual wiper voltage versus expected voltage = (V<sub>w(n)(actual)</sub> - V<sub>w(n)(expected)</sub>) = ±1 MI Maximum.
2. Relative Linearity is a measure of the error in step size between taps = V<sub>w(n+1)</sub> - [V<sub>w(n)</sub> + MI] = ±0.2 MI.
3. 1 MI = Minimum Increment = R<sub>TOT</sub>/31.
4. Typical values are for T<sub>A</sub> = 25°C and nominal supply voltage.
5. This parameter is periodically sampled and not 100% tested.

## X9015

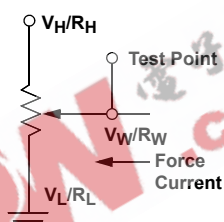
### D.C. Operating Specifications *Over recommended operating conditions unless otherwise specified*

| SYMBOL            | PARAMETER   | TEST CONDITIONS  | MIN.                | TYP.<br>(Note 4) | MAX.                | UNITS   |
|-------------------|---|--|---------------------|------------------|---------------------|---------|
| $I_{CC1}$         | $V_{CC}$ active current (increment)   | $\overline{CS} = V_{IL}$ , $U/\overline{D} = V_{IL}$ or $V_{IH}$ and $\overline{INC} = 0.4V$ @ max. $t_{CYC}$  |                     |                  | 50                  | $\mu A$ |
| $I_{CC2}$         | $V_{CC}$ active current (Store) (EEPROM Store)                              | $\overline{CS} = V_{IH}$ , $U/\overline{D} = V_{IL}$ or $V_{IH}$ and $\overline{INC} = V_{IH}$ @ max. $t_{WR}$ |                     |                  | 400                 | $\mu A$ |
| $I_{SB}$          | Standby supply current  | $\overline{CS} = V_{CC} - 0.3V$ , $U/\overline{D}$ and $\overline{INC} = V_{SS}$ or $V_{CC} - 0.3V$            |                     |                  | 1                   | $\mu A$ |
| $I_{LI}$          | $\overline{CS}$ , $\overline{INC}$ , $U/\overline{D}$ input leakage current | $V_{IN} = V_{SS}$ to $V_{CC}$  |                     |                  | $\pm 10$            | $\mu A$ |
| $V_{IH}$          | $\overline{CS}$ , $\overline{INC}$ , $U/\overline{D}$ input HIGH voltage    |  | $V_{CC} \times 0.7$ |                  | $V_{CC} + 0.5$      | V       |
| $V_{IL}$          | $\overline{CS}$ , $\overline{INC}$ , $U/\overline{D}$ input LOW voltage     |  | -0.5                |                  | $V_{CC} \times 0.1$ | V       |
| $C_{IN}$ (Note 5) | $\overline{CS}$ , $\overline{INC}$ , $U/\overline{D}$ input capacitance     | $V_{CC} = 5V$ , $V_{IN} = V_{SS}$ , $T_A = 25^\circ C$ , $f = 1MHz$  |                     |                  | 10                  | pF      |

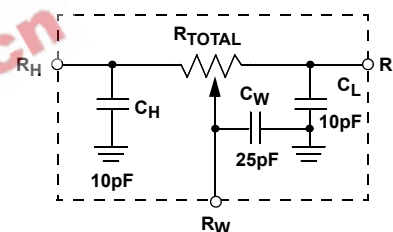
TEST CIRCUIT #1



TEST CIRCUIT #2



CIRCUIT #3 SPICE MACRO MODEL



### A.C. Conditions of Test

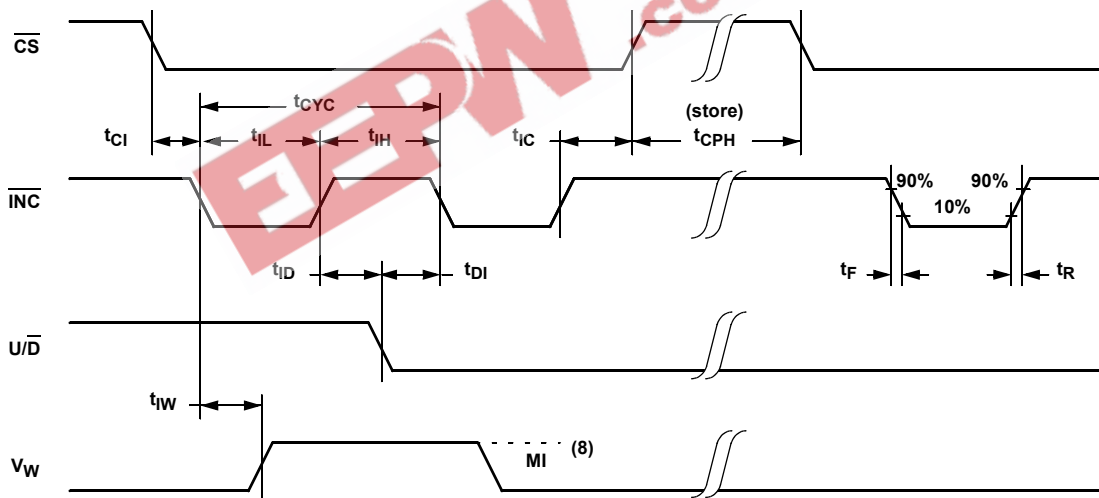
|                           |          |
|---------------------------|----------|
| Input pulse levels        | 0V to 3V |
| Input rise and fall times | 10ns     |
| Input reference levels    | 1.5V     |

## X9015

### A.C. Operating Specifications Over recommended operating conditions unless otherwise specified

| SYMBOL                | PARAMETER   | MIN. | TYP. (Note 6) | MAX. | UNIT    |
|-----------------------|---|------|---------------|------|---------|
| $t_{CI}$              | $\overline{CS}$ to $\overline{INC}$ setup             | 100  |               |      | ns      |
| $t_{ID}$              | $\overline{INC}$ HIGH to $U/\overline{D}$ change      | 100  |               |      | ns      |
| $t_{DI}$              | $U/\overline{D}$ to $\overline{INC}$ setup            | 2.9  |               |      | $\mu$ s |
| $t_{IL}$              | $\overline{INC}$ LOW period                           | 1    |               |      | $\mu$ s |
| $t_{IH}$              | $\overline{INC}$ HIGH period                          | 1    |               |      | $\mu$ s |
| $t_{IC}$              | $\overline{INC}$ inactive to $\overline{CS}$ inactive | 1    |               |      | $\mu$ s |
| $t_{CPH}$             | $\overline{CS}$ deselect time (NO STORE)              | 100  |               |      | ns      |
| $t_{CPH}$             | $\overline{CS}$ deselect time (STORE)                 | 10   |               |      | ms      |
| $t_{IW}$              | $\overline{INC}$ to $V_w$ change                      |      | 1             | 5    | $\mu$ s |
| $t_{CYC}$             | $\overline{INC}$ cycle time                           | 4    |               |      | $\mu$ s |
| $t_R, t_F$ (Note 7)   | $\overline{INC}$ input rise and fall time             |      |               | 500  | $\mu$ s |
| $t_{PU}$ (Note 7)     | Power up to wiper stable                              |      |               | 5    | $\mu$ s |
| $t_R V_{CC}$ (Note 7) | $V_{CC}$ power-up rate                                | 0.2  |               | 50   | V/ms    |
| $t_{WR}$              | Store cycle   |      | 5             | 10   | ms      |

### A.C. Timing



#### NOTES:

6. Typical values are for  $T_A = 25^\circ\text{C}$  and nominal supply voltage.
7. This parameter is periodically sampled and not 100% tested.
8. MI in the A.C. timing diagram refers to the minimum incremental change in the  $V_w$  output due to a change in the wiper position.

Performance Characteristics (Typical)

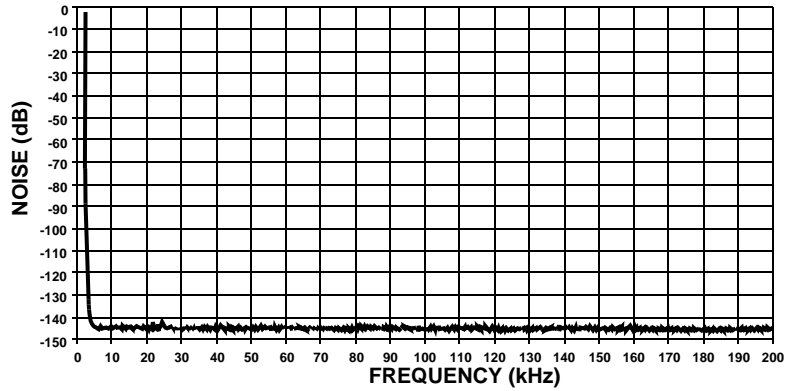


FIGURE 1. TYPICAL NOISE

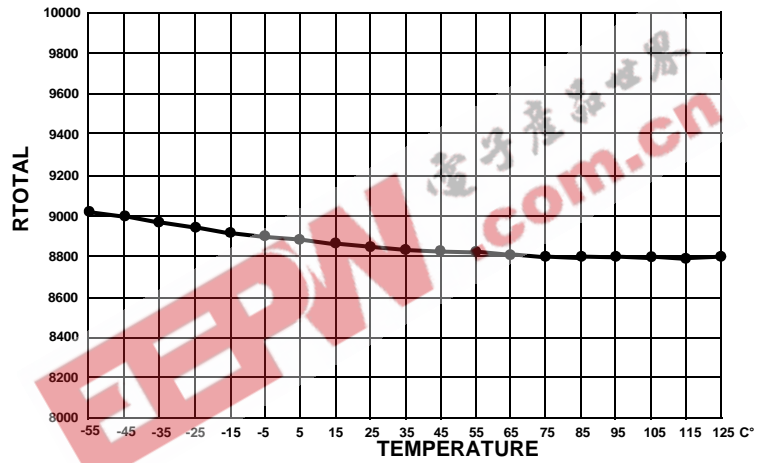


FIGURE 2. TYPICAL RTOTAL VS. TEMPERATURE

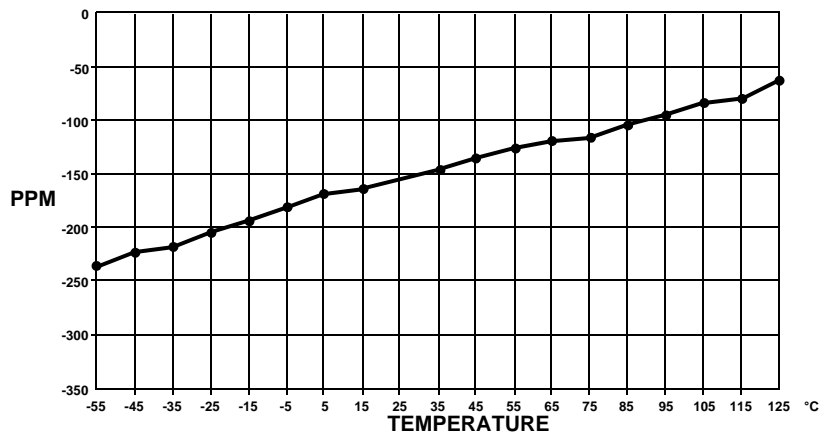


FIGURE 3. TYPICAL TOTAL RESISTANCE TEMPERATURE COEFFICIENT

Performance Characteristics (Typical) (Continued)

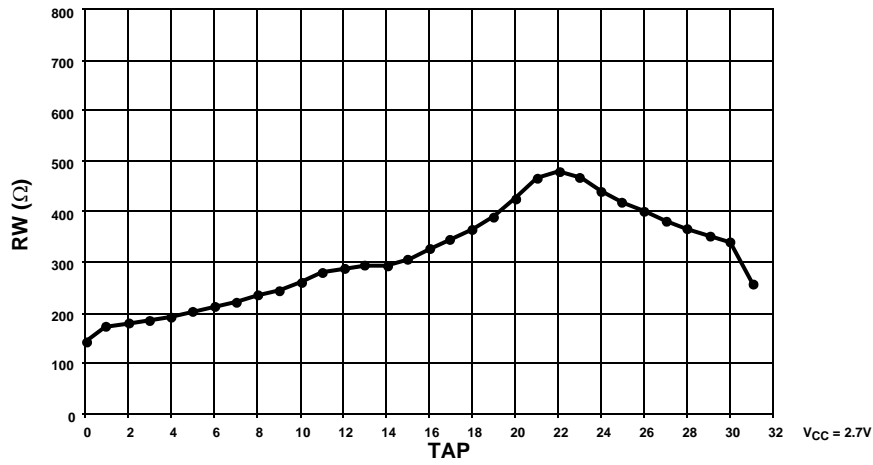


FIGURE 4. TYPICAL WIPER RESISTANCE

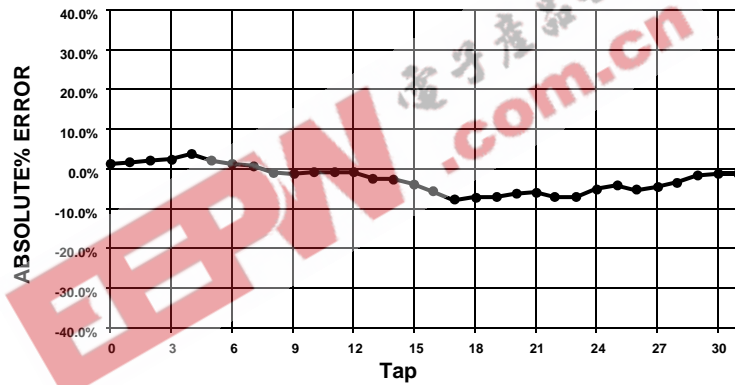


FIGURE 5. TYPICAL ABSOLUTE% ERROR PER TAP POSITION

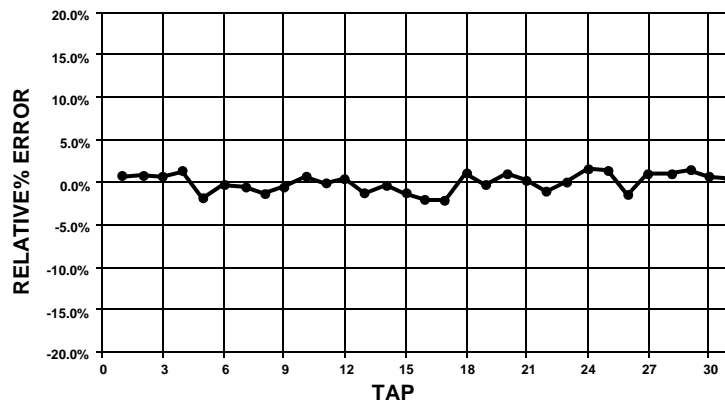


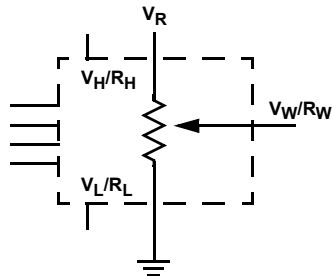
FIGURE 6. TYPICAL RELATIVE% ERROR PER TAP POSITION



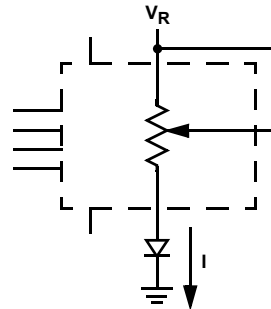
### Applications Information

Electronic digitally controlled potentiometers provide two powerful application advantages: (1) the variability and reliability of a solid-state potentiometer, and (2) the flexibility of computer-based digital controls.

### Basic Configurations of Electronic Potentiometers



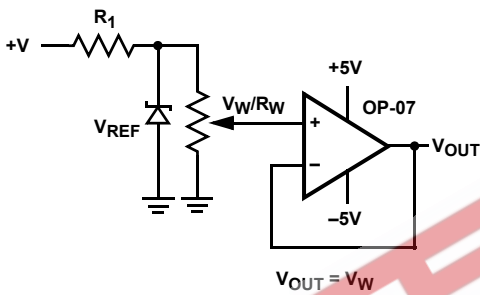
Three terminal potentiometer;  
variable voltage divider



Two terminal variable resistor;  
variable current

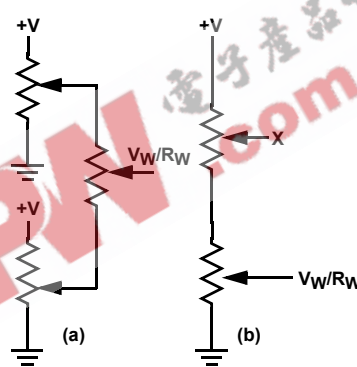
### Basic Circuits

Buffered Reference Voltage

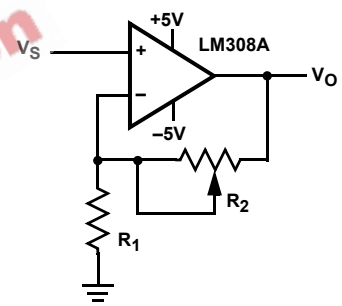


$$V_{OUT} = V_W$$

Cascading Techniques

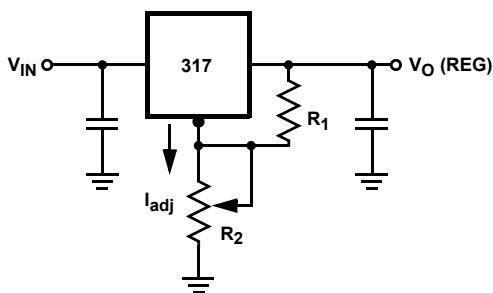


Noninverting Amplifier



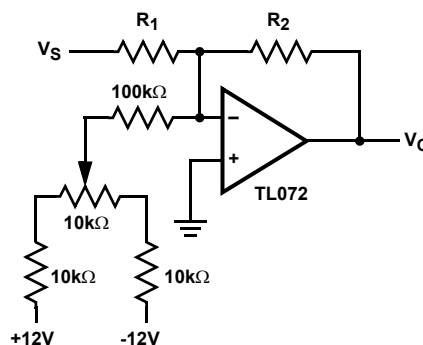
$$V_O = (1 + R_2/R_1)V_S$$

Voltage Regulator

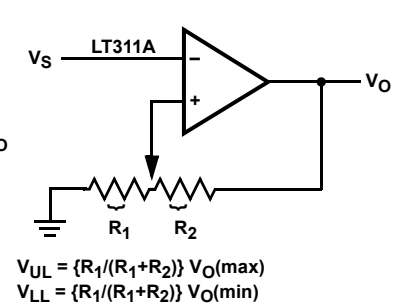


$$V_O (REG) = 1.25V (1 + R_2/R_1) + I_{adj} R_2$$

Offset Voltage Adjustment



Comparator with Hysteresis



$$V_{UL} = \{R_1/(R_1+R_2)\} V_O(\max)$$

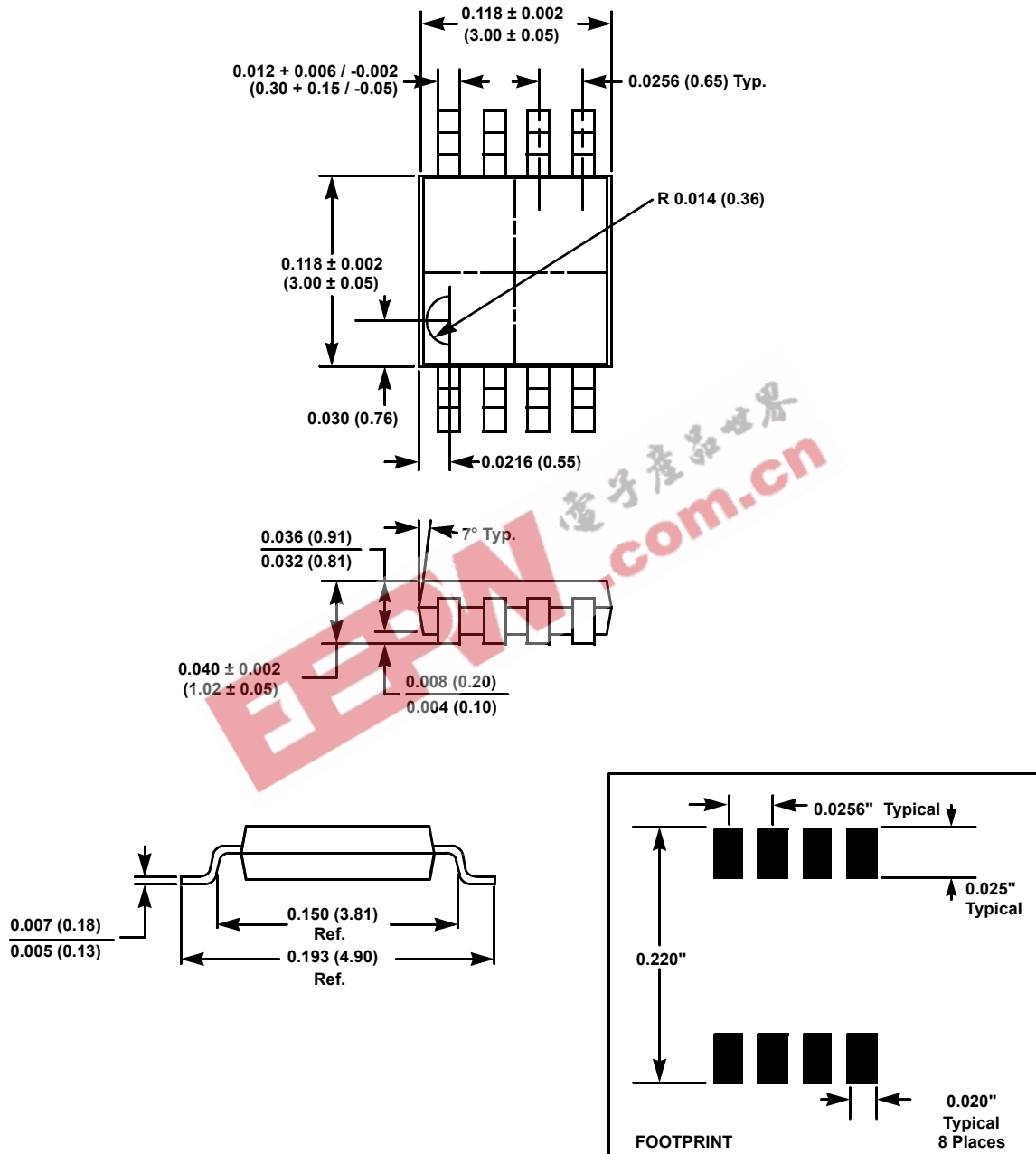
$$V_{LL} = \{R_1/(R_1+R_2)\} V_O(\min)$$

(for additional circuits see AN115)

# X9015

## MSOP Packaging Information

### 8-Lead Miniature Small Outline Gull Wing Package Type M

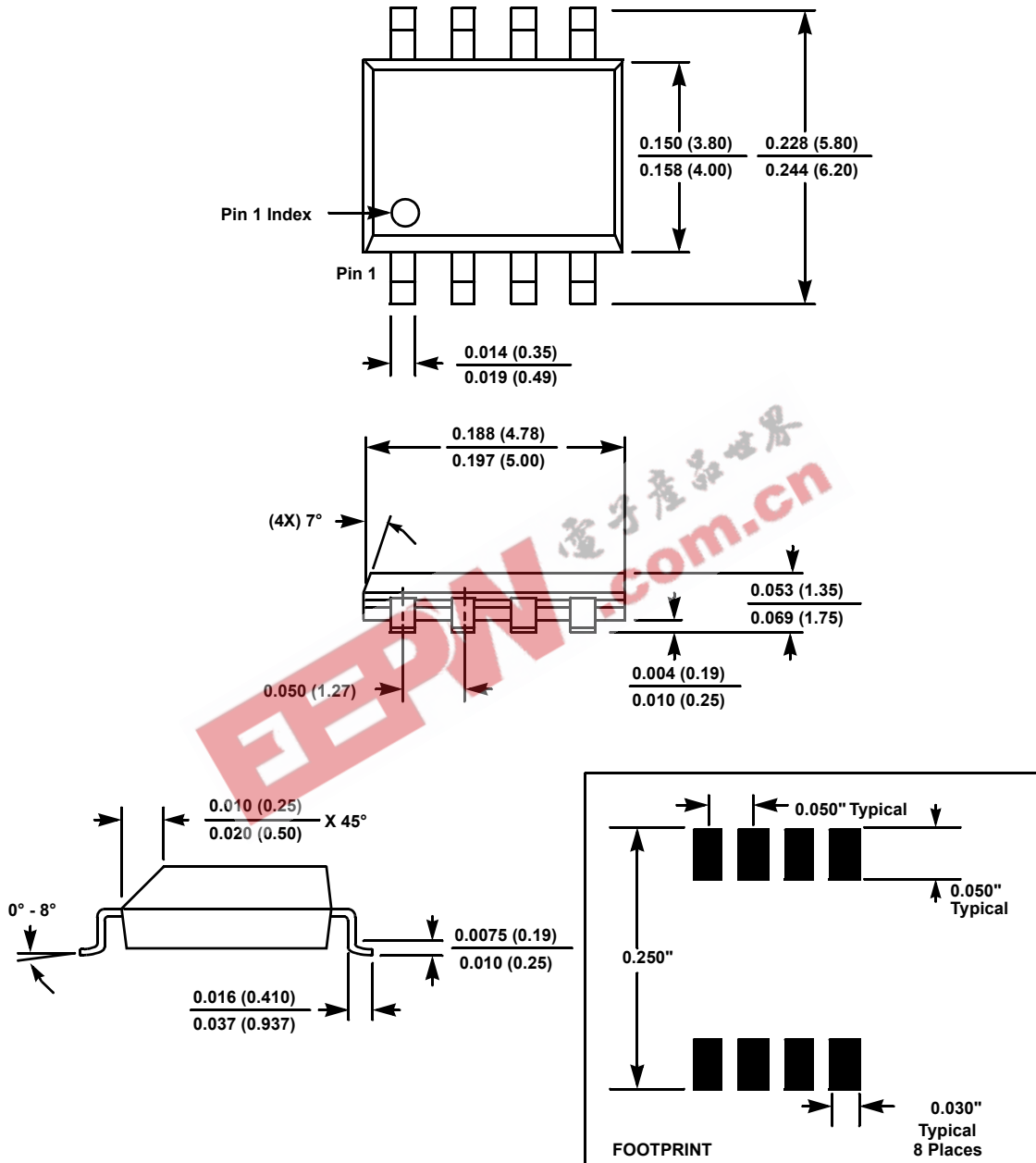


NOTE: ALL DIMENSIONS IN INCHES AND (MILLIMETERS)

# X9015

## SOIC Packaging Information

### 8-Lead Plastic Small Outline Gull Wing Package Type S



NOTE: ALL DIMENSIONS IN INCHES (IN PARENTHESES IN MILLIMETERS)

All Intersil U.S. products are manufactured, assembled and tested utilizing ISO9000 quality systems. Intersil Corporation's quality certifications can be viewed at [www.intersil.com/design/quality](http://www.intersil.com/design/quality)

*Intersil products are sold by description only. Intersil Corporation reserves the right to make changes in circuit design, software and/or specifications at any time without notice. Accordingly, the reader is cautioned to verify that data sheets are current before placing orders. Information furnished by Intersil is believed to be accurate and reliable. However, no responsibility is assumed by Intersil or its subsidiaries for its use; nor for any infringements of patents or other rights of third parties which may result from its use. No license is granted by implication or otherwise under any patent or patent rights of Intersil or its subsidiaries.*

For information regarding Intersil Corporation and its products, see [www.intersil.com](http://www.intersil.com)